

artos[®]

C06090P

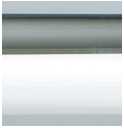
INSTALLATION GUIDE

cadiz towel warmer,
plug-in

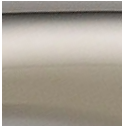
BRUSHED NICKEL(BN)



CHROME(CH)



POLISHED NICKEL(PN)



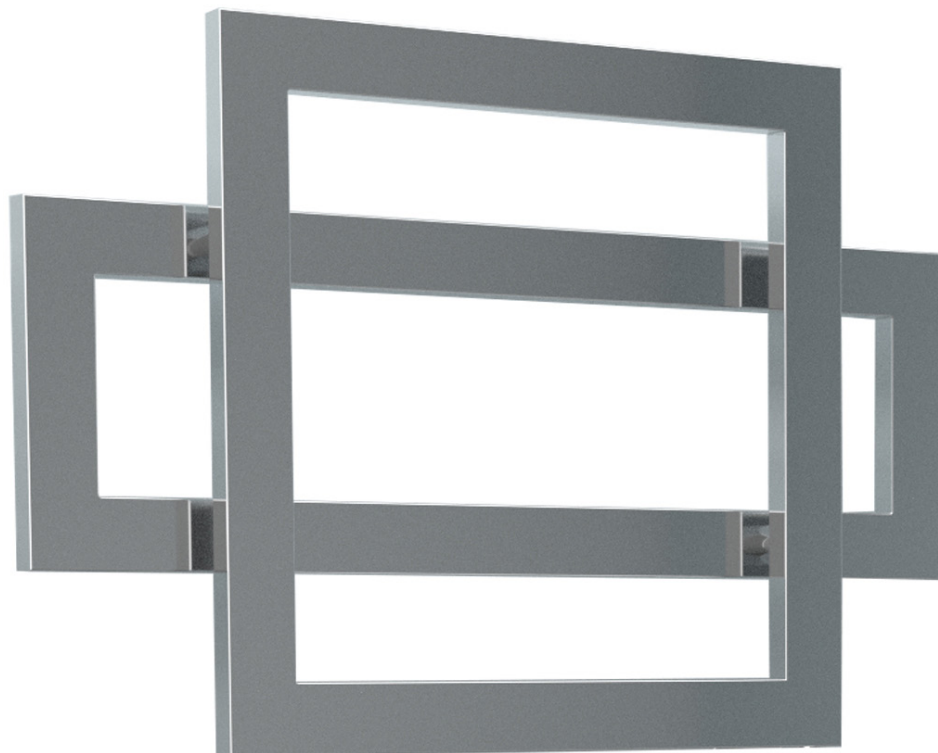
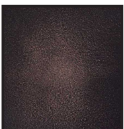
BLACK(BK)



WHITE(WH)



OIL-RUBBED BRONZE(OB)

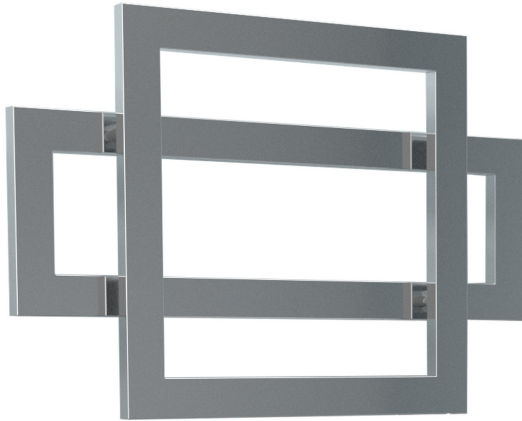


artos[®]

C06090P

cadiz towel warmer,
plug-in

OPERATING SPECIFICATIONS



FEATURES

Towel warming, drying and auxiliary heating.

ELEMENT

300W, 110V

CODES

UL Approved
CSA-US Approved

REQUIREMENTS

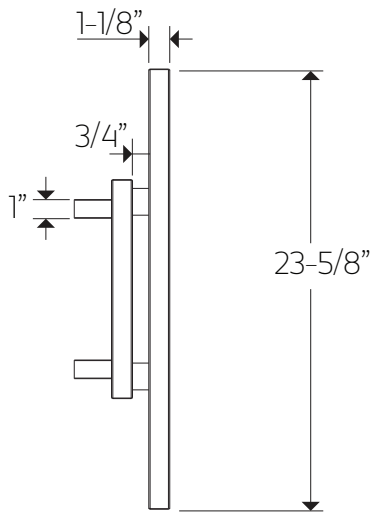
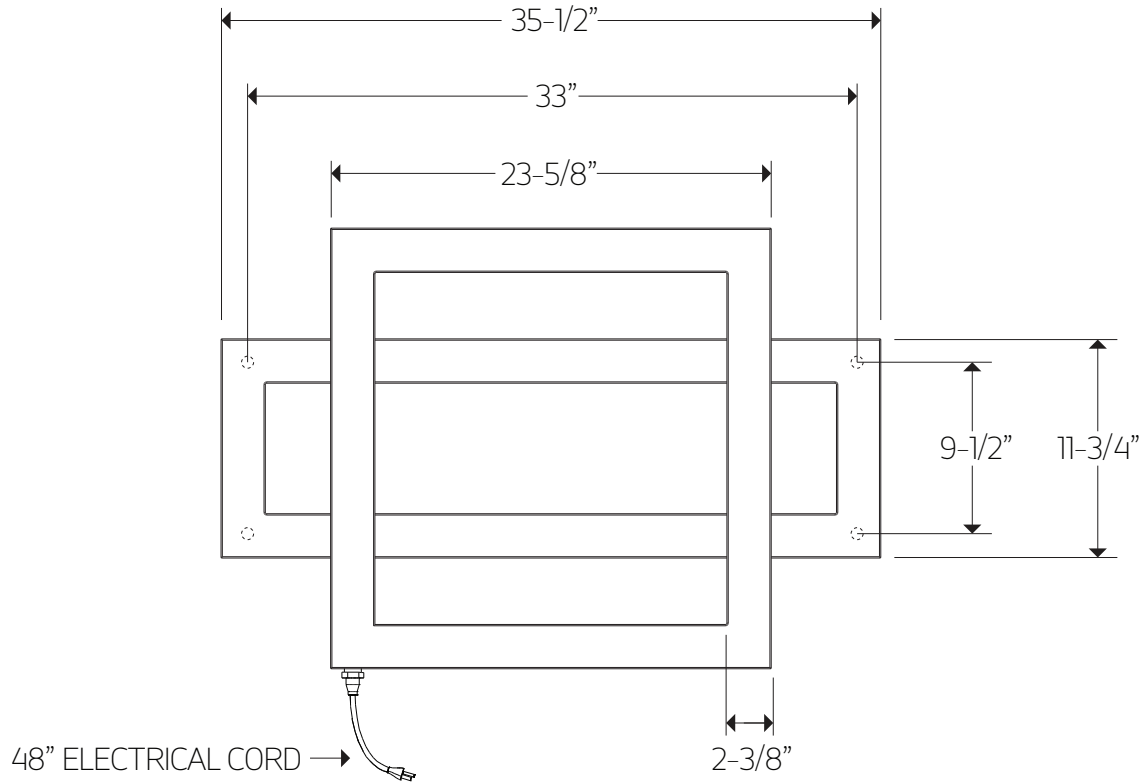
The towel warmer must be installed so that the Element is at the bottom.

artos[®]

C06090P

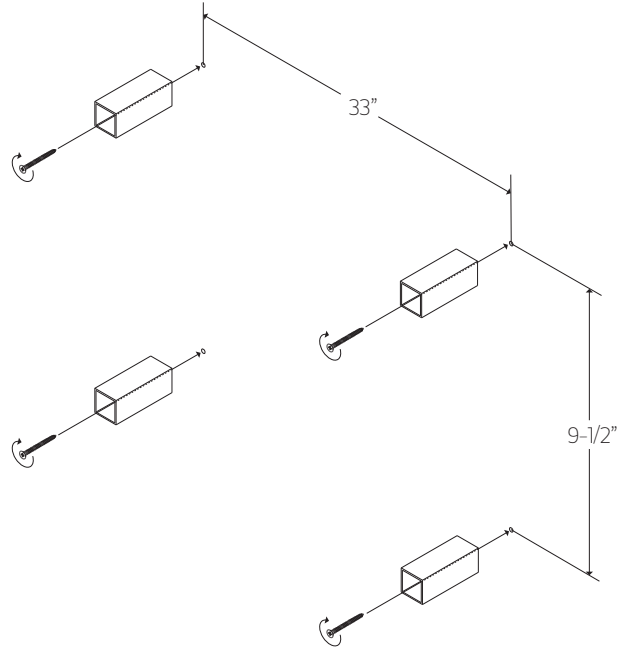
PRODUCT DIMENSIONS

cadiz towel warmer,
plug-in



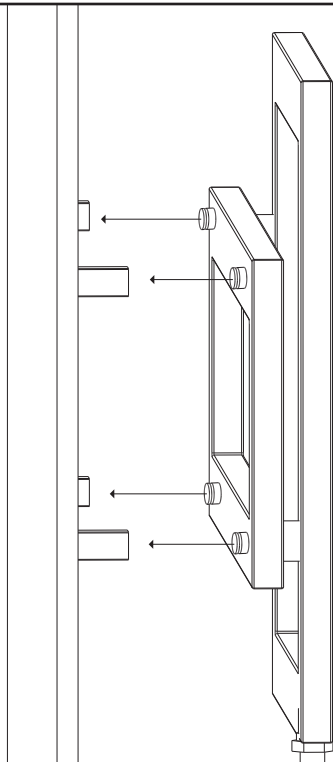
STEP 1

***ALL DIMENSIONS ARE APPROXIMATE. PLEASE MEASURE UNIT BEFORE INSTALLATION**



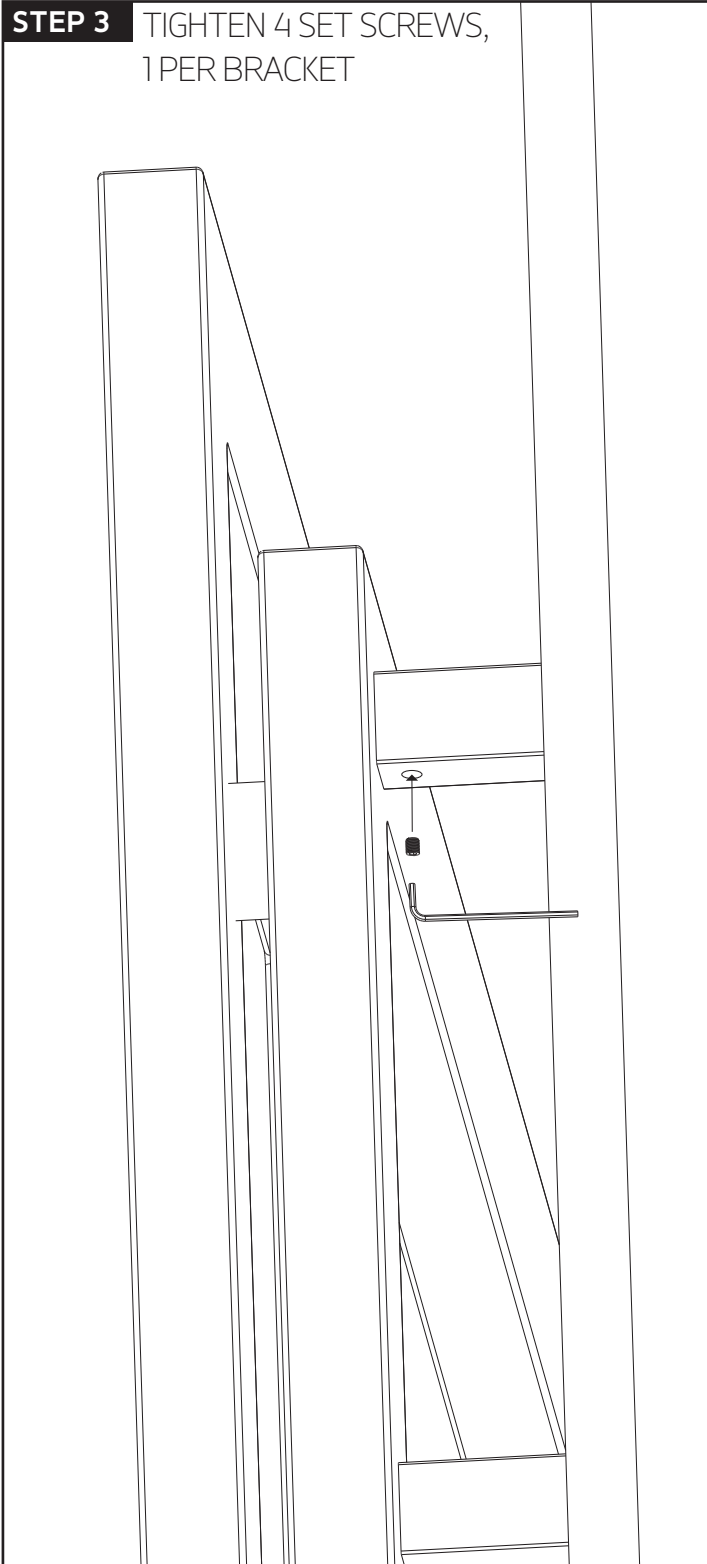
WE RECOMMEND THAT
AT LEAST 2 OF THE
WALL BRACKETS ARE
SECURED INTO A STUD
OR BACKER

STEP 2



INSTALLATION STEPS

STEP 3 TIGHTEN 4 SET SCREWS,
1 PER BRACKET

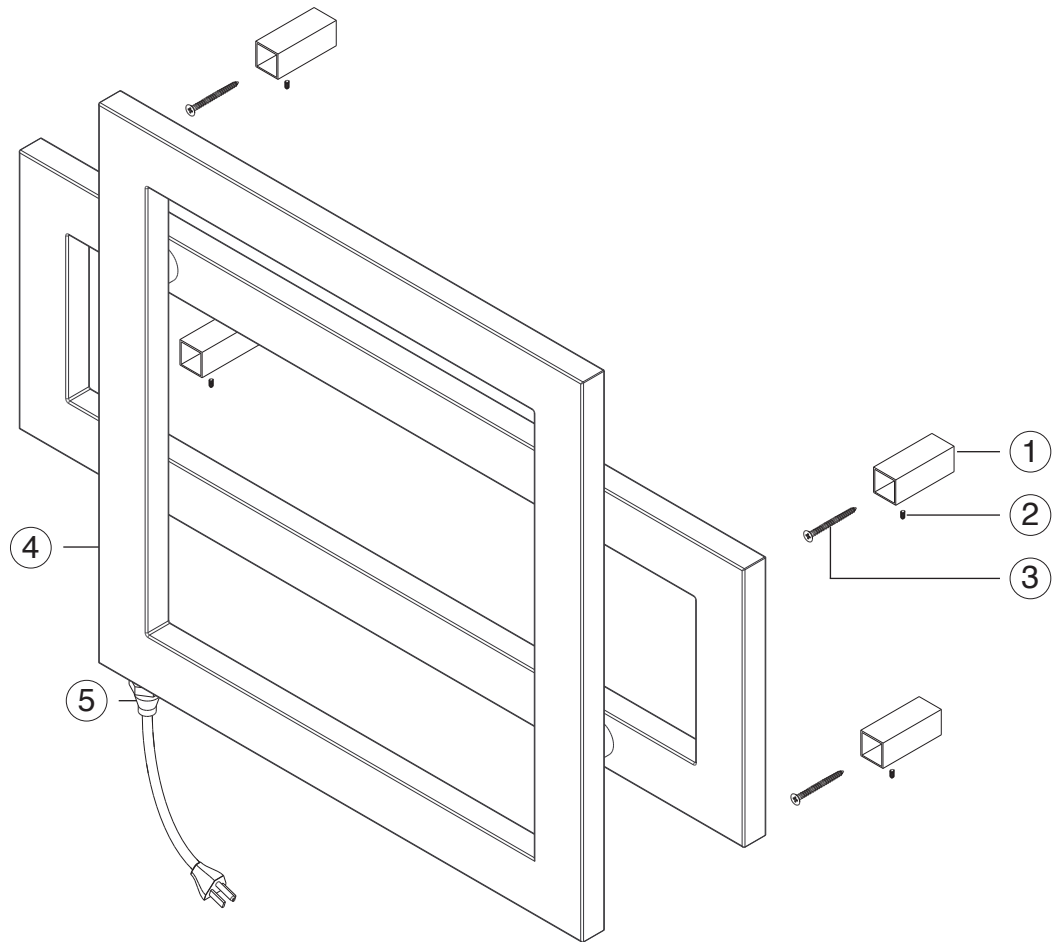


artos[®]

C06090P

cadiz towel warmer,
plug-in

PARTS BREAKDOWN



- ① **WALL BRACKET(4)** C06090P XP1
- ② **WALL BRACKET SET SCREW(4)** C06090P XP2
- ③ **WALL BRACKET SCREW(4)** C06090P XP3
- ④ **TOWEL WARMER** C06090P XP4
- ⑤ **ELEMENT** C06090P XP5

artos[®]

C06090P

cadiz towel warmer,
plug-in

CARE & MAINTENANCE

For best results, keep the following in mind to retain the high quality finish of your artos[®] towel warmer:

- Use a soft, dampened sponge or cloth. On no account should you use an abrasive material such as a brush, scouring pad or steel wool to clean surfaces.
- Test your cleaning agent solution on an inconspicuous area before applying to the entire faucet.
- Wipe surfaces clean and rinse completely with water immediately after applying cleaning agent.
- An ideal cleaning technique is to rinse faucet thoroughly and blot dry any water from the surface after each use.

LIMITED WARRANTY

artos[®] towel warmers are guaranteed for five years against finishing defects and one year for the element as the original purchaser owns it.

Damage caused by accident, misuse, abuse, improper installation, improper cleaning or alteration will void the warranty. This warranty does not cover replacement parts where damage is caused by normal wear and tear. Westover, Inc is not responsible for labor charges, installation or other incidental or consequential costs. Proof of purchase must be provided with all claims.

Please register this product online at WWW.ARTOS.US.COM

ITEM NO. **C06090P**
SERIAL NO.