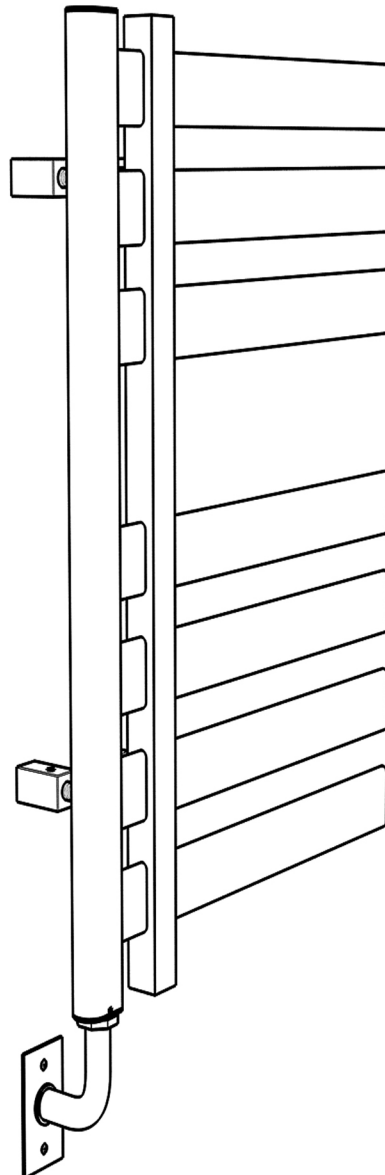


# ARTOS®

[www.artos.us.com](http://www.artos.us.com)

## Installation Guide

*Lioni Towel Warmer MS06950W (hardwired version)*



## USE

The Lioni Towel Warmer is intended for towel warming, drying and auxiliary heating.

The average heat up time is about thirty minutes, but would depend on:

- a ) The size of the unit.
- b ) The initial temperature of the unit.
- c ) The temperature of the room.

Typically the unit is programmed to be on an hour before expected use and remain on for an hour afterwards.

The running cost of the towel rack, is usually similar to the running cost of lights in the same room.

Clean with a soft cloth and use non abrasive cleaners.

## INSTALLATION

Do not connect heater to the electrical supply before having read and understood the following instructions.

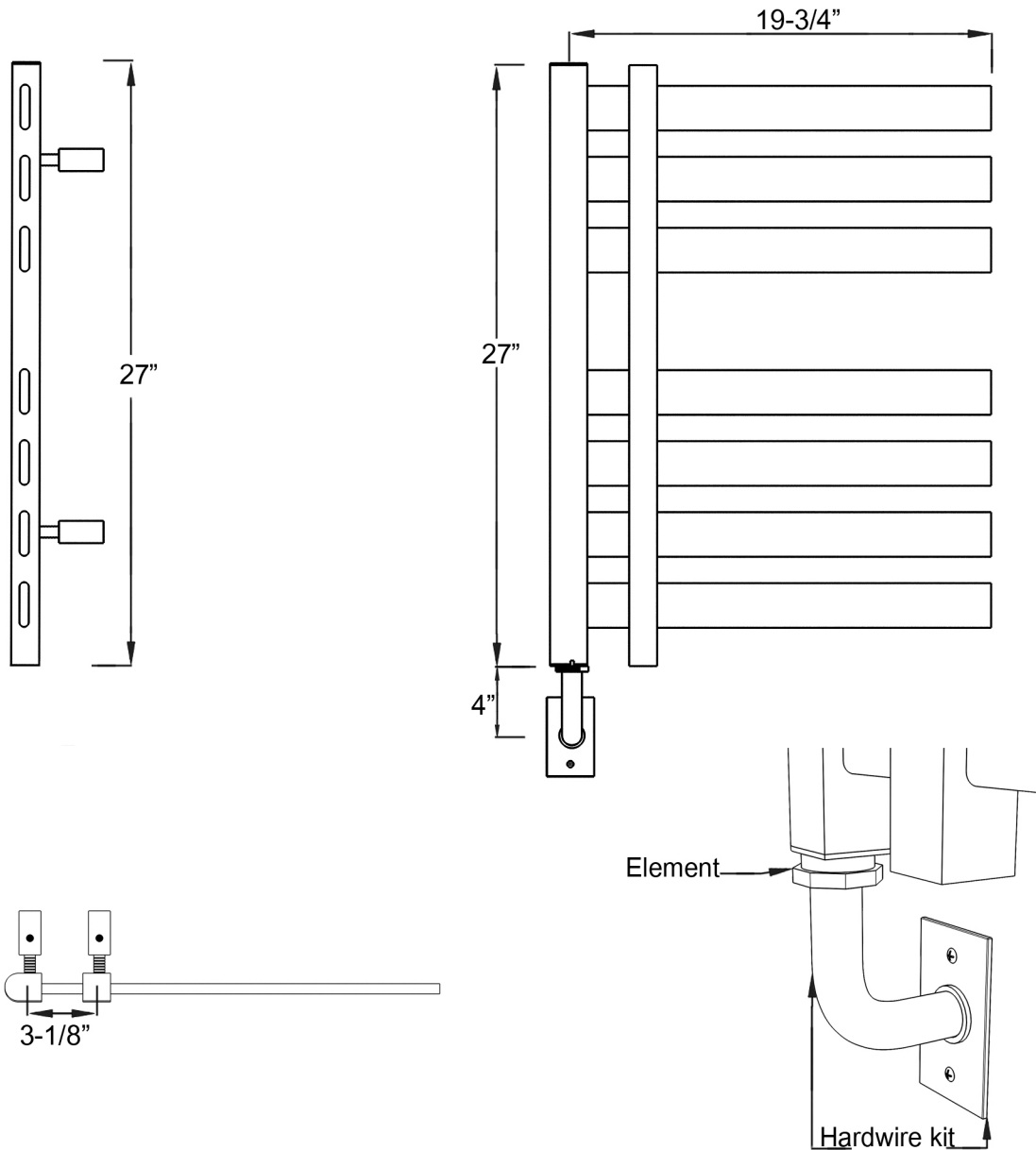
Electrical and plumbing connections must be carried out by qualified personnel and the unit should be securely mounted to the wall in a vertical position and such that it will not fall into water if the brackets should loosen. Check with local regulations to verify whether a GFI is required or not. The following pages are to assist in installation.

In case of damages or failures of the rail/connection, the towel rail should be returned to the manufacturer or their distributor. The warranty from the manufacturer is NOT VALID in case of improper use or installation. Product designed for use in Canada and USA only.

# TECHNICAL SPECIFICATIONS

Diagram A

## MODEL# MS06950W



**ELECTRIC VERSION** Element specifications 300W, 110V, 48" cord, UL approved. Hardwire Kit CSA-US Approved. File ref: 229718

**WALL FIXING** We recommend that At least 2 of the wall brackets are secured into a stud or backer.

**PACKAGING** Packaged for regular UPS type shipping.

**WARRANTY** Frame 5 years – Heating element 1 year.

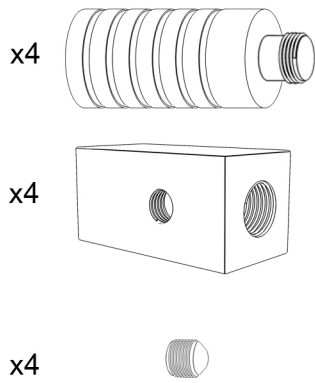
**NOTE:** Towel warmer *MUST* be installed with element at the bottom.

# INSTALLATION STEPS

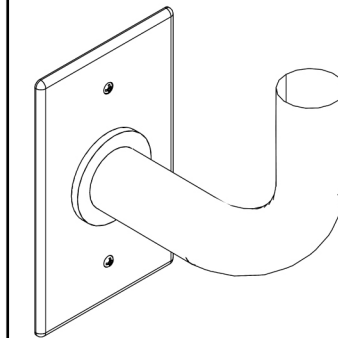
1.

Check that all the installation pack contents have been received. There should be 3 packs as shown below:

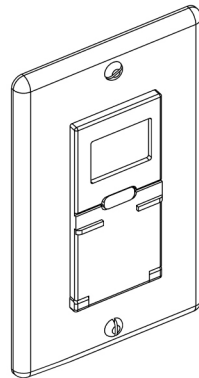
Installation Pack:



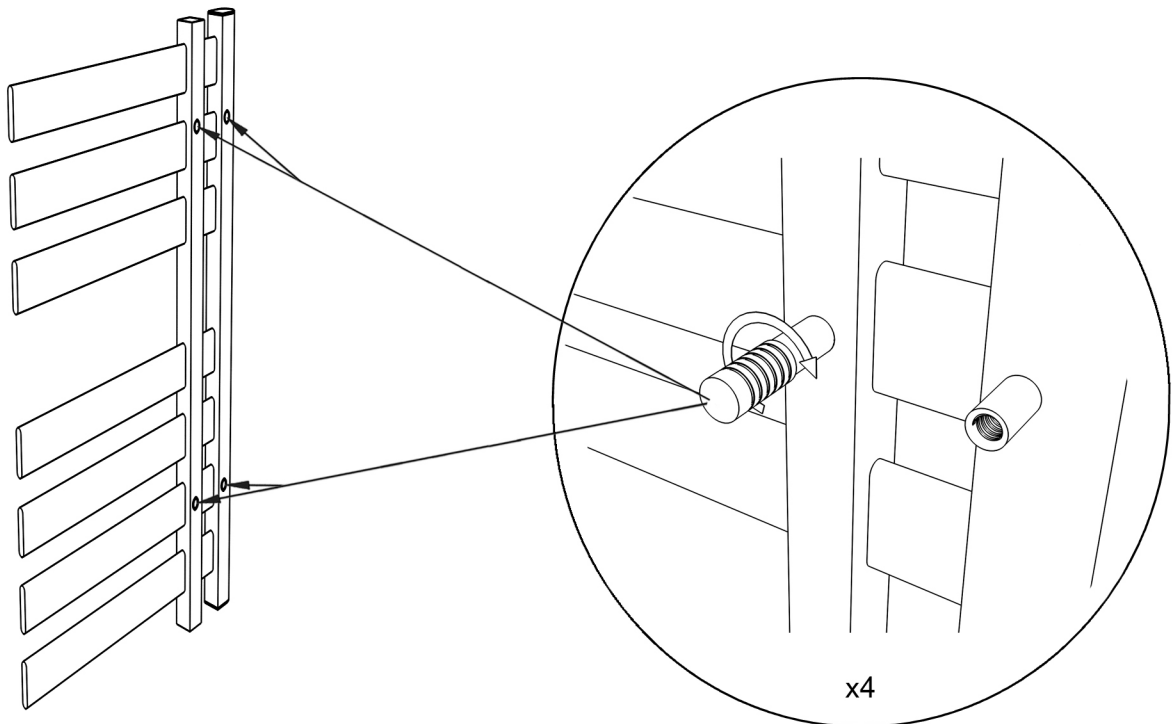
Hardwire Kit:



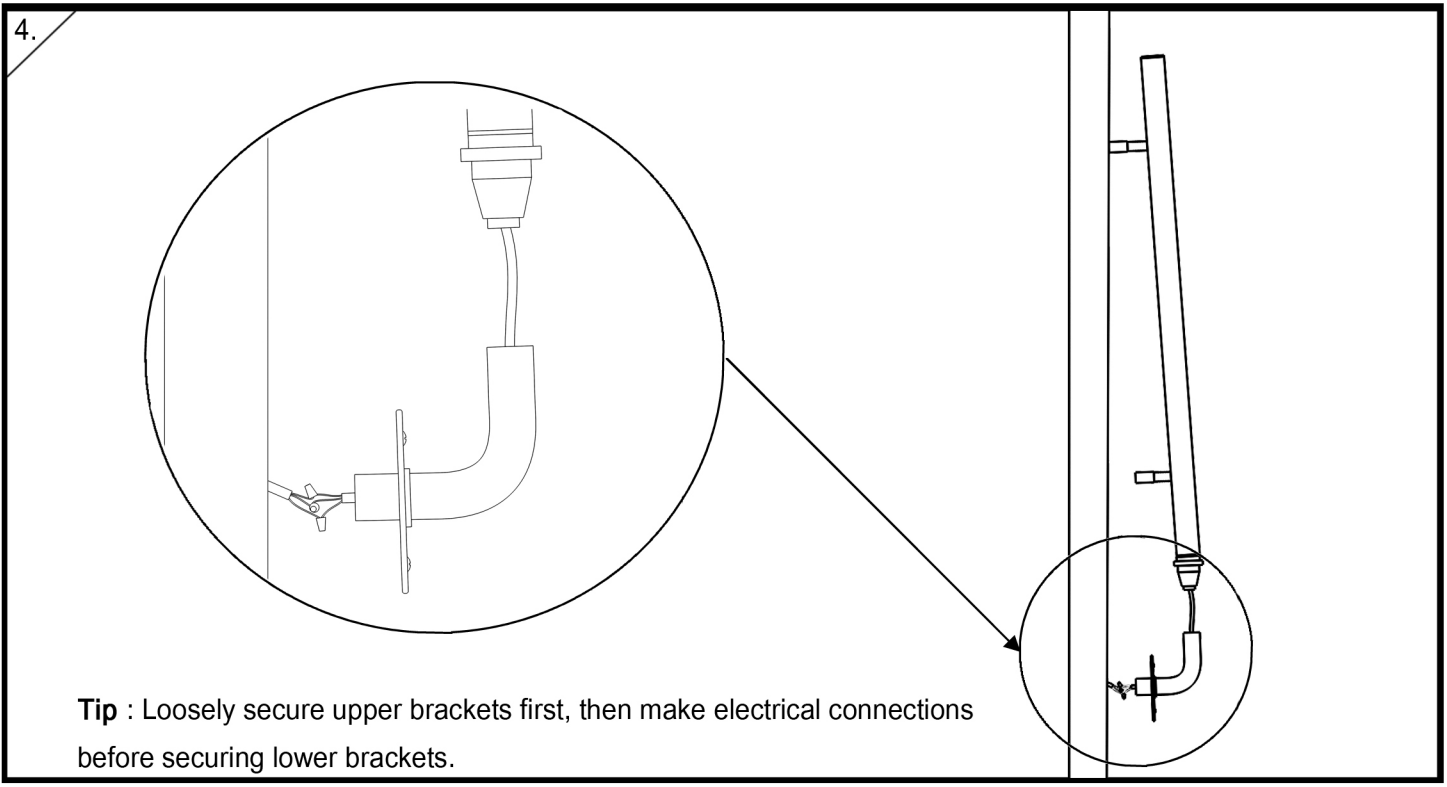
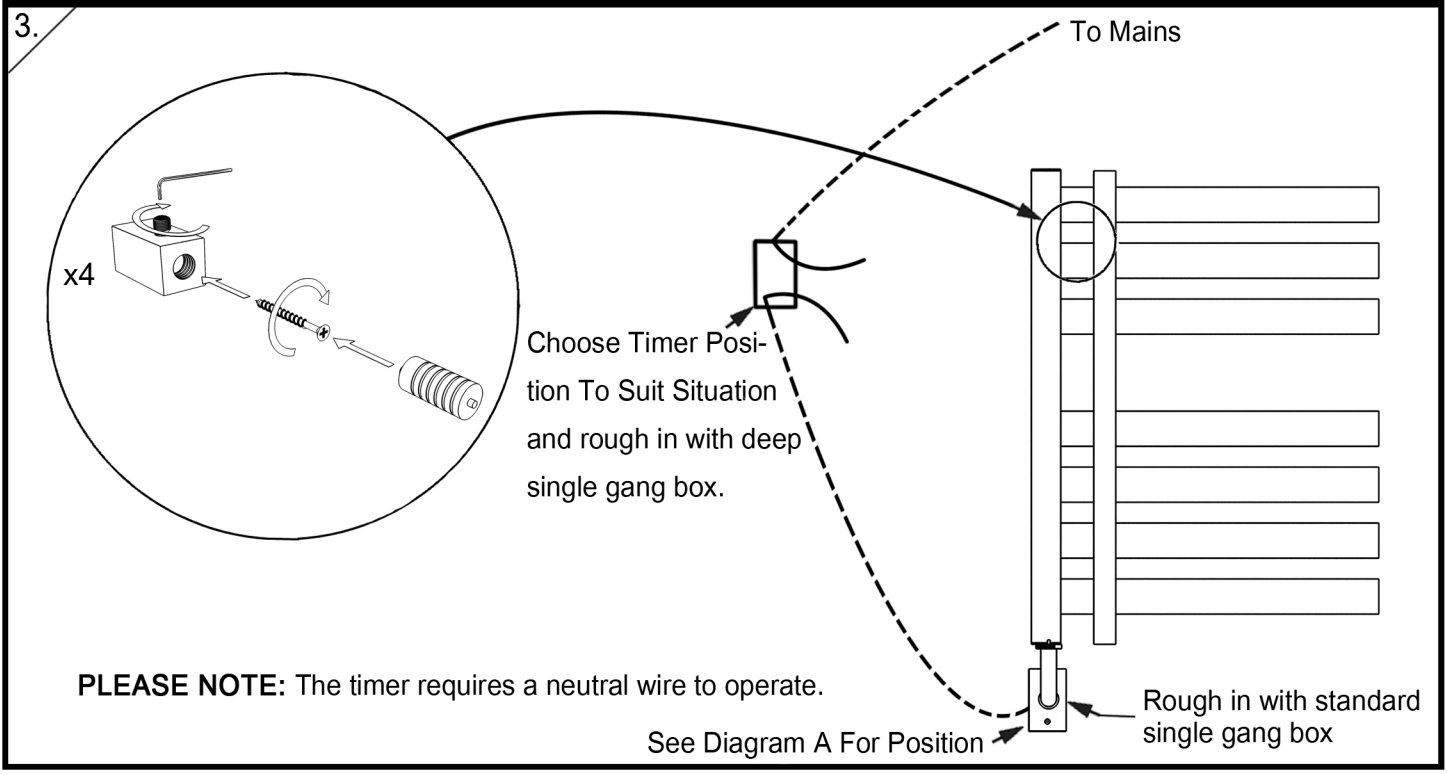
Timer:



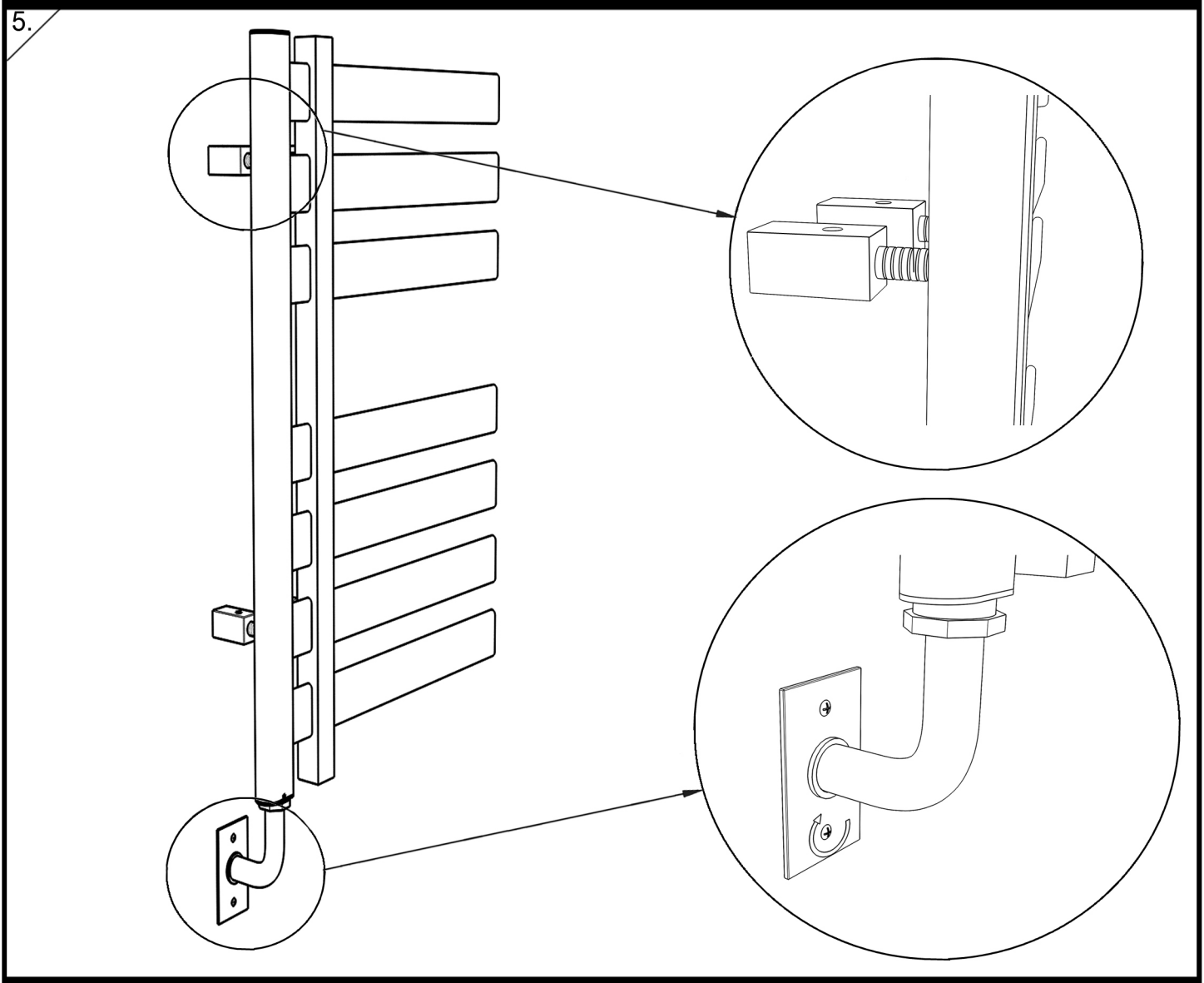
2.



# INSTALLATION STEPS



# INSTALLATION STEPS



## CARE & MAINTENANCE

For best results, keep the following in mind to retain the high quality finish of your *ARTOS* towel warmer:

- Use a soft, dampened sponge or cloth.
- On no account should you use an abrasive material such as a brush, scouring pad or steel wool to clean surfaces.
- Polish with a soft dry cloth

## WARRANTY

This warranty covers against defective products for a period of five years. Under the warranty we will provide replacement components or products at our discretion. Damage caused by accident, misuse, abuse, improper installation, improper cleaning or alteration will void the warranty. Westover, Inc is not responsible for labor charges, installation or other incidental or consequential costs.

PLEASE REGISTER THIS PRODUCT ONLINE AT [WWW.ARTOS.US.COM](http://WWW.ARTOS.US.COM)

**Item No** MS06950W-  
**Serial No**