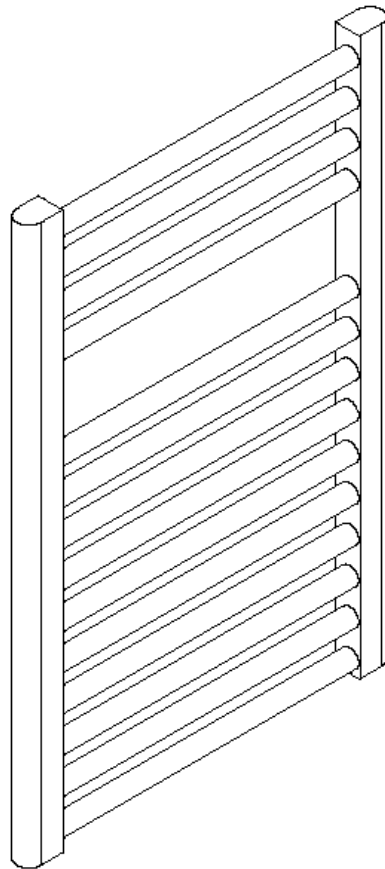


# ARTOS<sup>®</sup>

[www.artos-westover.com](http://www.artos-westover.com)

## Installation Guide

*Denby Towel Warmer M06845W (hardwired version)*



## ***USE***

The Denby Towel Rack is intended for towel warming/drying, auxiliary heating or as a decorative product.

The average heat up time is about thirty minutes, but would depend on

- a ) the size of the unit and
- b ) the initial temperature of the unit.

Typically the unit is programmed to be on an hour before expected use and remain on for an hour afterwards.

The running cost of the towel rack, is usually similar to the running cost of lights in the same room.

Clean with a soft cloth and use non abrasive cleaners.

## ***INSTALLATION***

**Do not connect heater to the network before having read and understood the following instructions.**

Electrical and plumbing connections must be carried out by qualified personnel and the unit should be securely mounted to the wall in a vertical position and such that it will not fall into water if the brackets should loosen. Check with local regulations to verify whether a GFI is required or not. The following pages are to assist in installation.

In case of damages or failures of the rail/connection, the towel rail should be returned to the manufacturer or their distributor. The warranty from the manufacturer is NOT VALID in case of improper use or installation. Product designed for use in Canada and USA only.

See page 4 for detailed installation steps.

# TECHNICAL SPECIFICATIONS

Rev 04/11

MODEL# **M06845**

**ELECTRIC VERSION** Element specifications 200W, 110V, 48" cord, UL approved. Hardwire Kit CSA-US approved. File ref: 229718

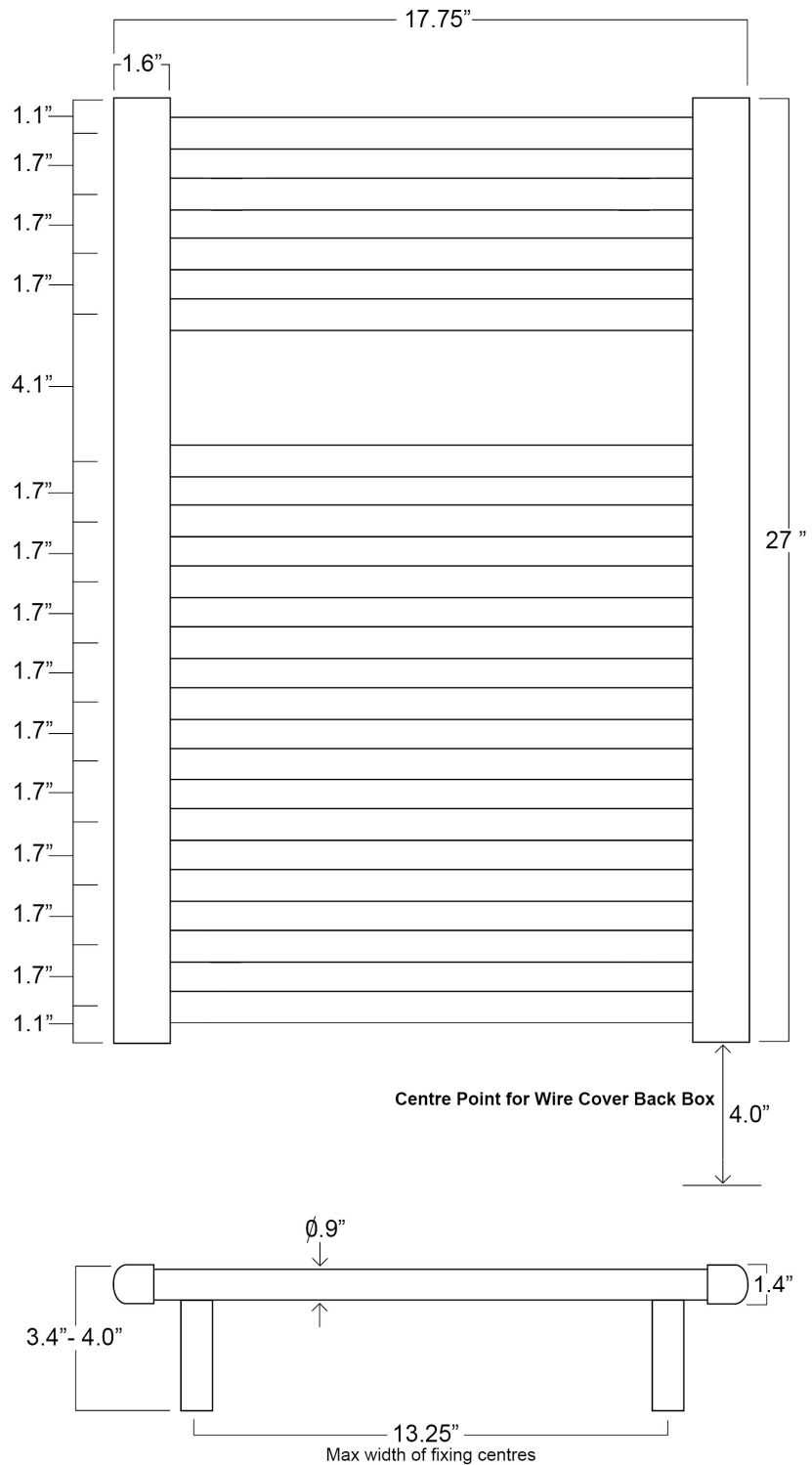
**HYDRONIC VERSION** Heat output 1385 BTU. 1/2" BSPT tappings. Steel towel warmers should only be used in a closed water system, incorporating a rust inhibitor.

**CARE & MAINTENANCE** A periodic wash using warm water and a soft cloth will retain the high quality finish of your towel warmer for many years to come. **ON NO ACCOUNT** should any household bleaches, detergents, abrasive polish, steel wool or similar cleaning agents be used on this product.

**WALL FIXING** Towel warmer brackets must be securely fastened to either masonry, wall studs or plywood board in accordance with the fitting instructions.

**PACKAGING** Packaged for regular UPS type shipping.

**WARRANTY** Frame 5 years – Heating element 5 years.

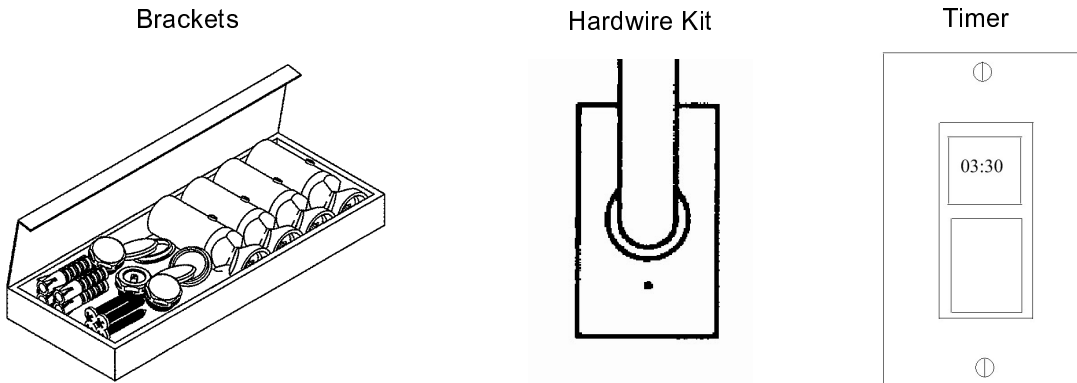


Position mounting brackets as near to each edge as possible and between the first or second cross bars

NOTE: Towel warmer *must* be installed so that electrical cord comes out of the **BOTTOM RIGHT** of the unit.

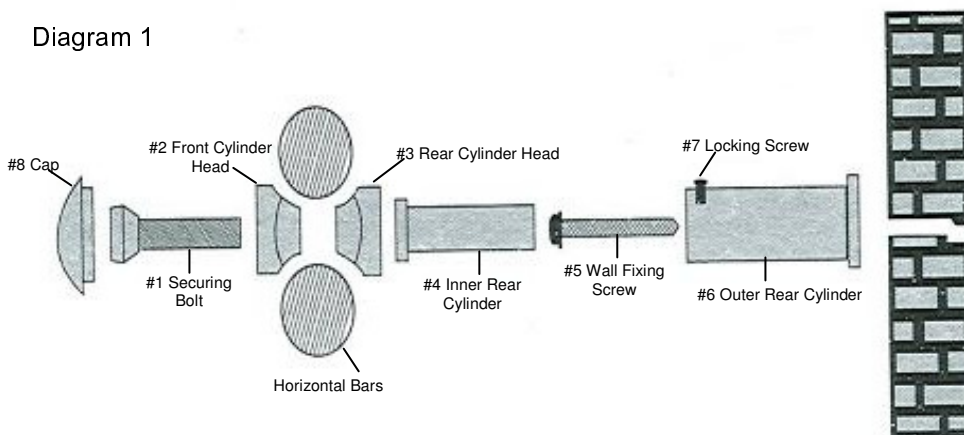
# INSTALLATION STEPS

1. Check that all the installation pack contents have been received. There should be 3 items as shown below:



2. DISCONNECT POWER SUPPLY. Connect timer to power supply. The timer can be placed anywhere in the room (recommended beside the light switches). Refer to instructions provided with timer for wiring details.
3. Determine location of towel warmer and provide a single gang electrical box 4" below bottom right of towel warmer (see spec. sheet). **Note: where possible, attach at least two of the brackets to a firm wall stud.**
4. Attach bracket pieces 1,2,3, and 4 to towel warmer using diagram 1 below as a guide. Typically the brackets are positioned between the 2nd and 3rd bars from the top and bottom. To allow maximum hanging space for the towel, position brackets as near to the edges as possible.

Diagram 1



## INSTALLATION STEPS

5. Determine location of #6 outer rear cylinder by measuring the brackets attached to towel warmer. Attach #6 cylinder to wall with hole for #7 locking screw facing down on the bottom brackets and facing up on the top brackets.
6. Feed the wire from the towel warmer through the tube from the hardwire kit, and slide wall plate onto the tube.
6. Attach upper brackets with locking screw #7, **leaving lower brackets free at this time.**
7. Connect wire from towel warmer to the wire coming from the timer. Use the instructions provided with timer as a guide.
8. Push tube up towel warmer cord, over plastic sleeve, until it touches the hexagonal chrome collar.
9. Push towel warmer onto the bottom brackets and screw mounting plate to the outlet box using the screws provided.
10. Insert lower locking screws (#7). Snap on caps #8.
11. Reconnect power supply. Program timer using the instructions provided with the timer.  
Towel warmer will take approximately 30 minutes to heat up to full temperature.
12. ENJOY!

# *ARTOS<sup>®</sup> Towel Warmer Warranty*

**Item No: M06845W-**

**Serial No:**

This warranty covers against defective product for a period of five years. If a heating element is installed, this is covered for a period of five years.

Under the warranty we will provide replacement components or product at our discretion.

Westover, Inc is not responsible for labor charges connected with removal or installation.

**PLEASE REGISTER THIS PRODUCT ONLINE AT [WWW.ARTOS-WESTOVER.COM](http://WWW.ARTOS-WESTOVER.COM)**