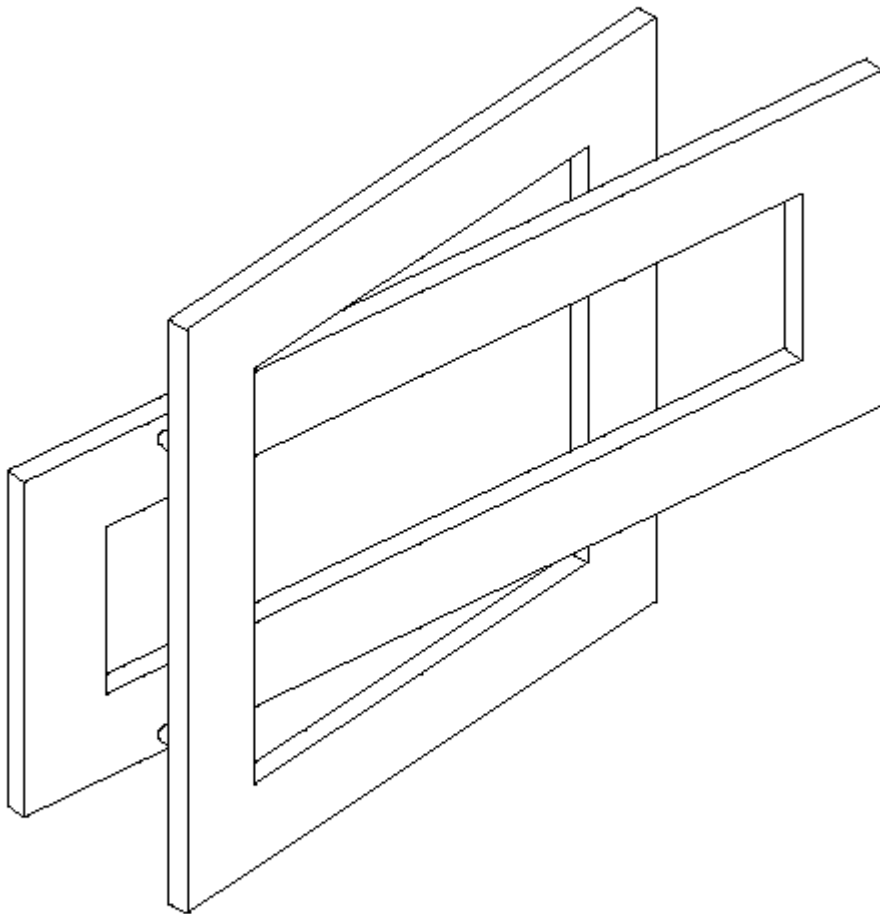


ARTOS[®]

www.artos-westover.com

Installation Guide

Cadiz Towel Warmer C05688P (plug-in version)



USE

The Cadiz Towel Rack is intended for towel warming/drying, auxiliary heating or as a decorative product.

The average heat up time is about thirty minutes, but would depend on

a) the size of the unit and

b) b) the initial temperature of the unit.

Typically the unit is programmed to be on an hour before expected use and remain on for an hour afterwards.

The running cost of the towel rack, is usually similar to the running cost of lights in the same room.

Clean with a soft cloth and use non abrasive cleaners.

INSTALLATION

Do not connect heater to the network before having read and understood the following instructions.

Electrical and plumbing connections must be carried out by qualified personnel and the unit should be securely mounted to the wall in a vertical position and such that it will not fall into water if the brackets should loosen. Check with local regulations to verify whether a GFI is required or not. The following pages are to assist in installation.

In case of damages or failures of the rail/connection, the towel rail should be returned to the manufacturer or their distributor. The warranty from the manufacturer is NOT VALID in case of improper use or installation. Product designed for use in Canada and USA only.

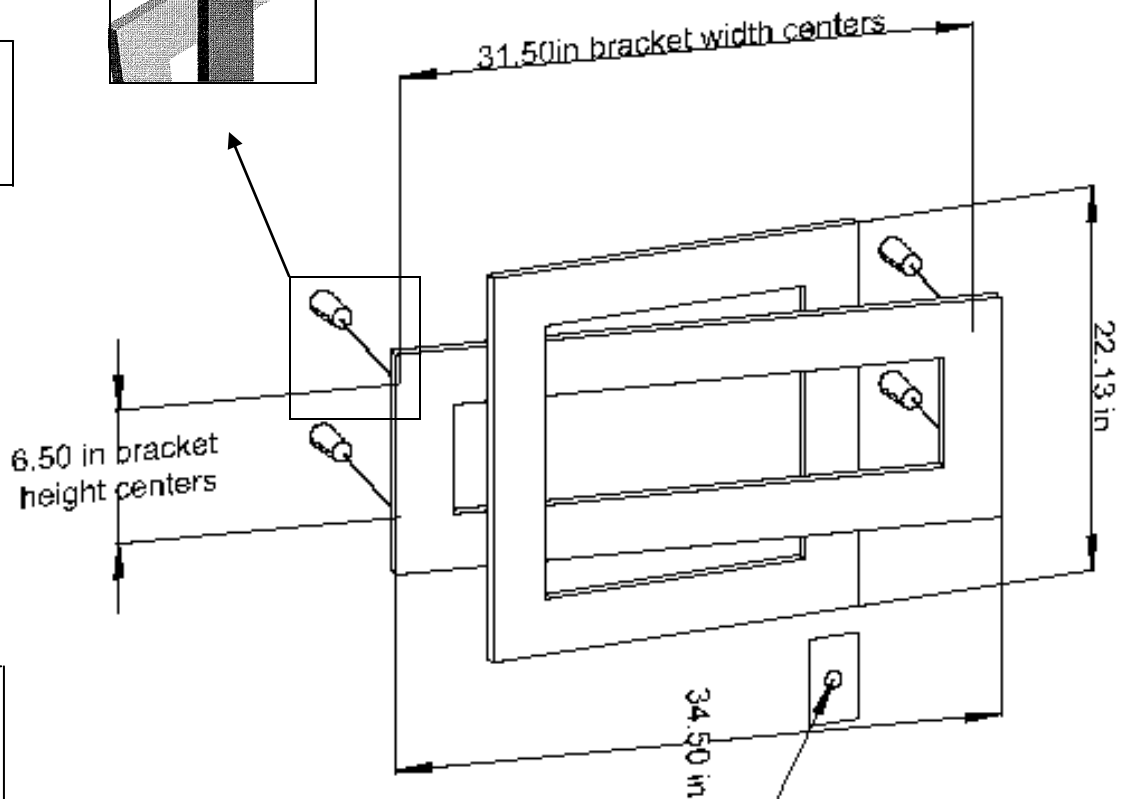
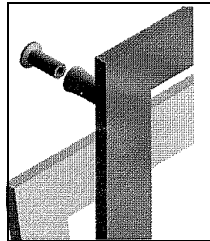
See page 4 for detailed installation steps.

TECHNICAL SPECIFICATIONS

Rev 04/11

MODEL# **C05688**

ELECTRIC VERSION Element specifications 300W, 110V, 48" cord, UL approved. Hardwire Kit CSA-US approved. File ref: 229718



CARE & MAINTENANCE A periodic wash using warm water and a soft cloth will retain the high quality finish of your towel warmer for many years to come. ON NO ACCOUNT should any household bleaches, detergents, abrasive polish, steel wool or similar cleaning agents be used on this product.

WALL FIXING Towel warmer brackets must be securely fastened to either masonry, wall studs or plywood board in accordance with the fitting instructions.

PACKAGING Packaged for regular UPS type shipping.

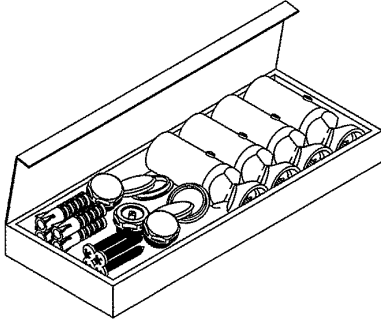
WARRANTY Frame 5 years – Heating element 5 years.

HARDWIRED MODEL: Center of electrical box is 4" below the lower edge of the towel warmer

INSTALLATION STEPS

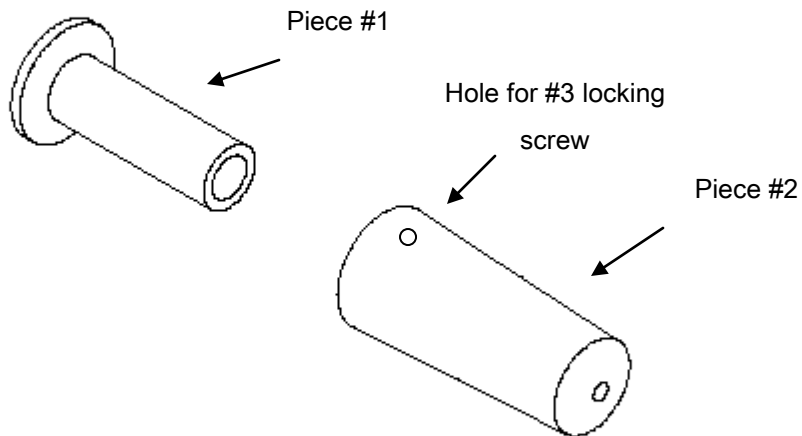
1. Check that all the installation pack contents have been received. There should be 1 item as shown below plus the towel warmer:

Brackets



2. Determine location of towel warmer near a electrical outlet. The towel warmer cord is 4 ' long. **Note: where possible, attach at least two of the brackets to a firm wall stud.**
3. Attach bracket piece #2 to towel warmer using diagram 1 below as a guide.

Diagram 1



INSTALLATION STEPS

5. Determine location of #1 outer rear cylinder by measuring the brackets attached to towel warmer or by using technical spec. on page 3 as a guide. Attach #1 cylinder to wall with hole for #3 locking screw facing down on the bottom brackets and facing up on the top brackets.
6. Insert #2 bracket pieces (attached to towel warmer) into #1 bracket pieces (attached to wall) and fasten with locking screw #3.
7. Plug towel warmer in, allow 30 minutes for towel to heat up.
8. ENJOY!

ARTOS[®] Towel Warmer Warranty

Item №: C05688P-

Serial №:

This warranty covers against defective product for a period of five years. If a heating element is installed, this is covered for a period of five years.

Under the warranty we will provide replacement components or product at our discretion.

Westover, Inc is not responsible for labor charges connected with removal or installation.

PLEASE REGISTER THIS PRODUCT ONLINE AT WWW.ARTOS-WESTOVER.COM