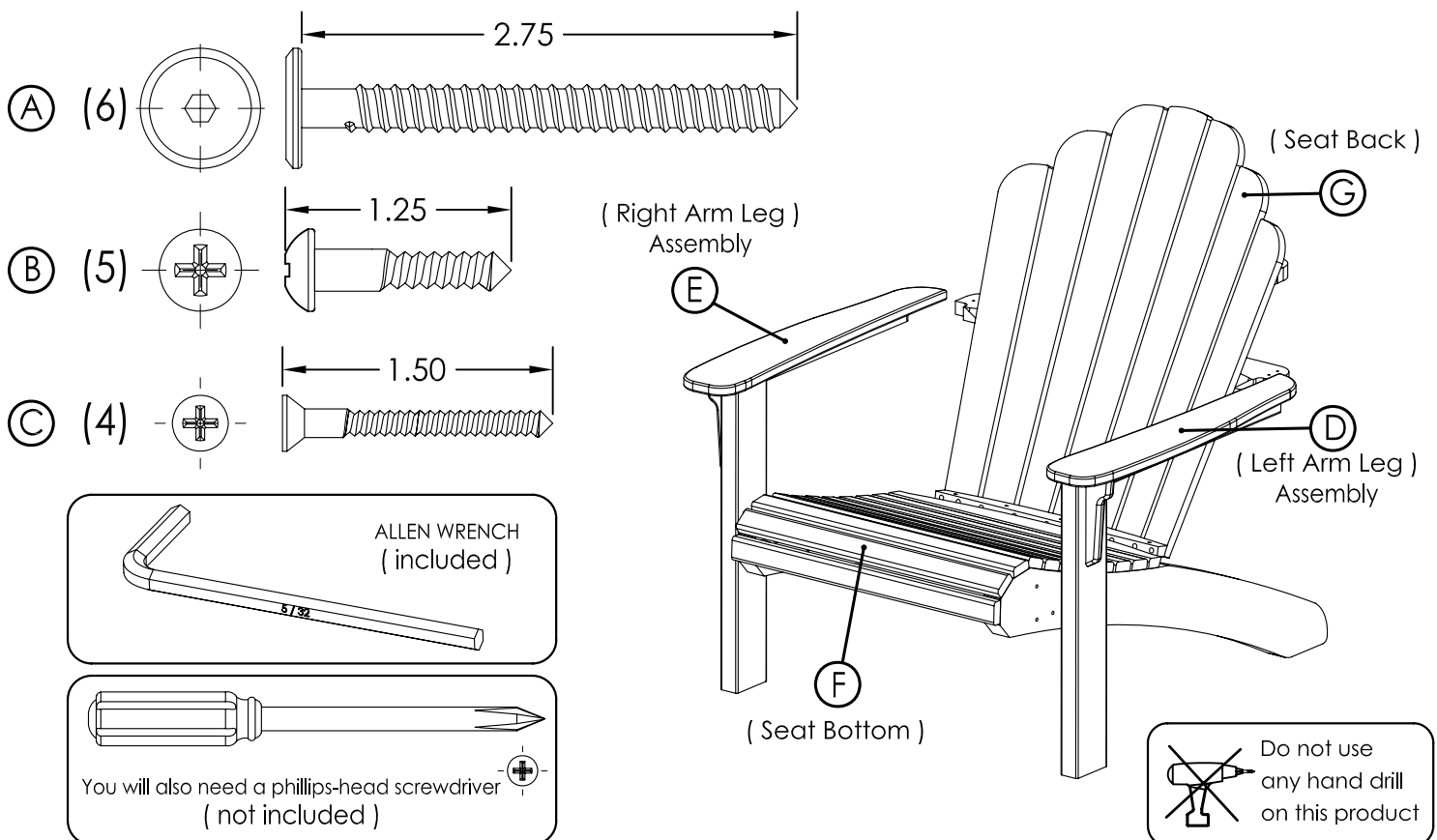


Hardware and Parts



Assembly Instructions

1 - Attach part (E), Right Arm Leg Assembly, and part (F), Seat Bottom, as shown in Figure 1 using (3) of screw (A) and tighten screws using an Allen Wrench.

Figure 1

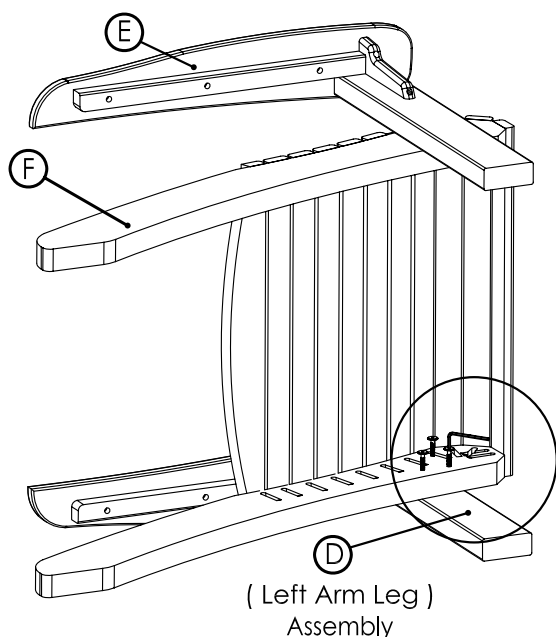
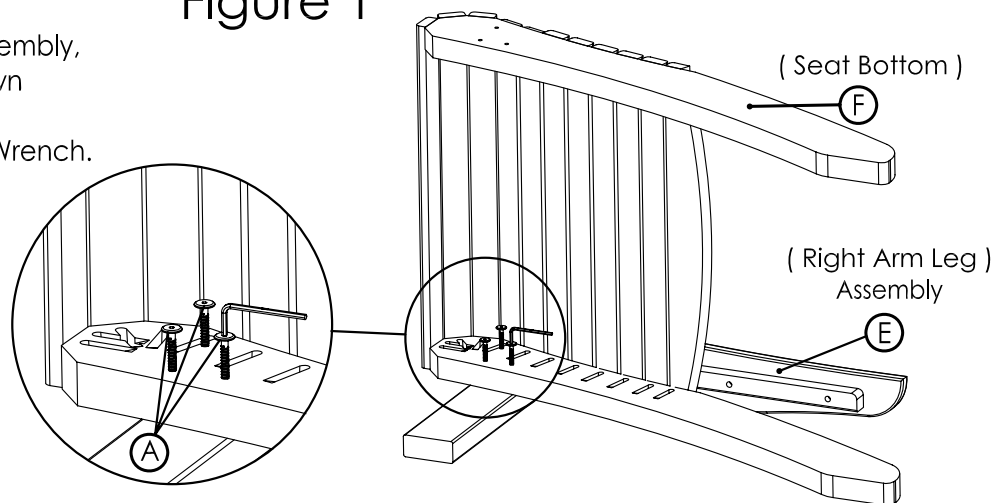
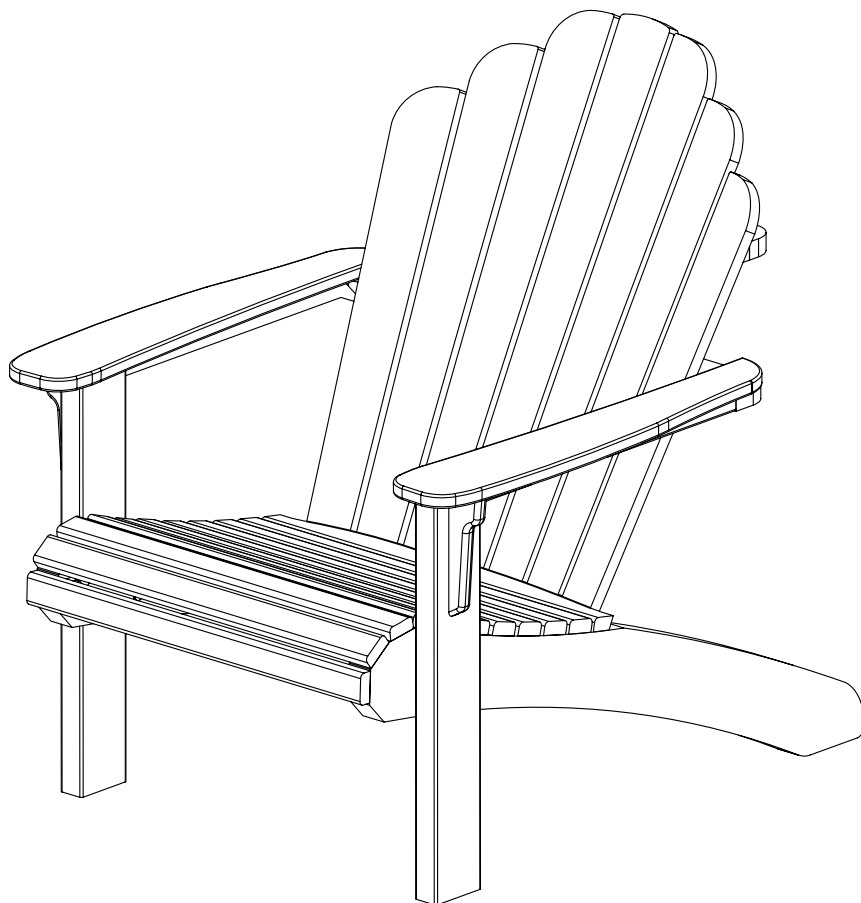
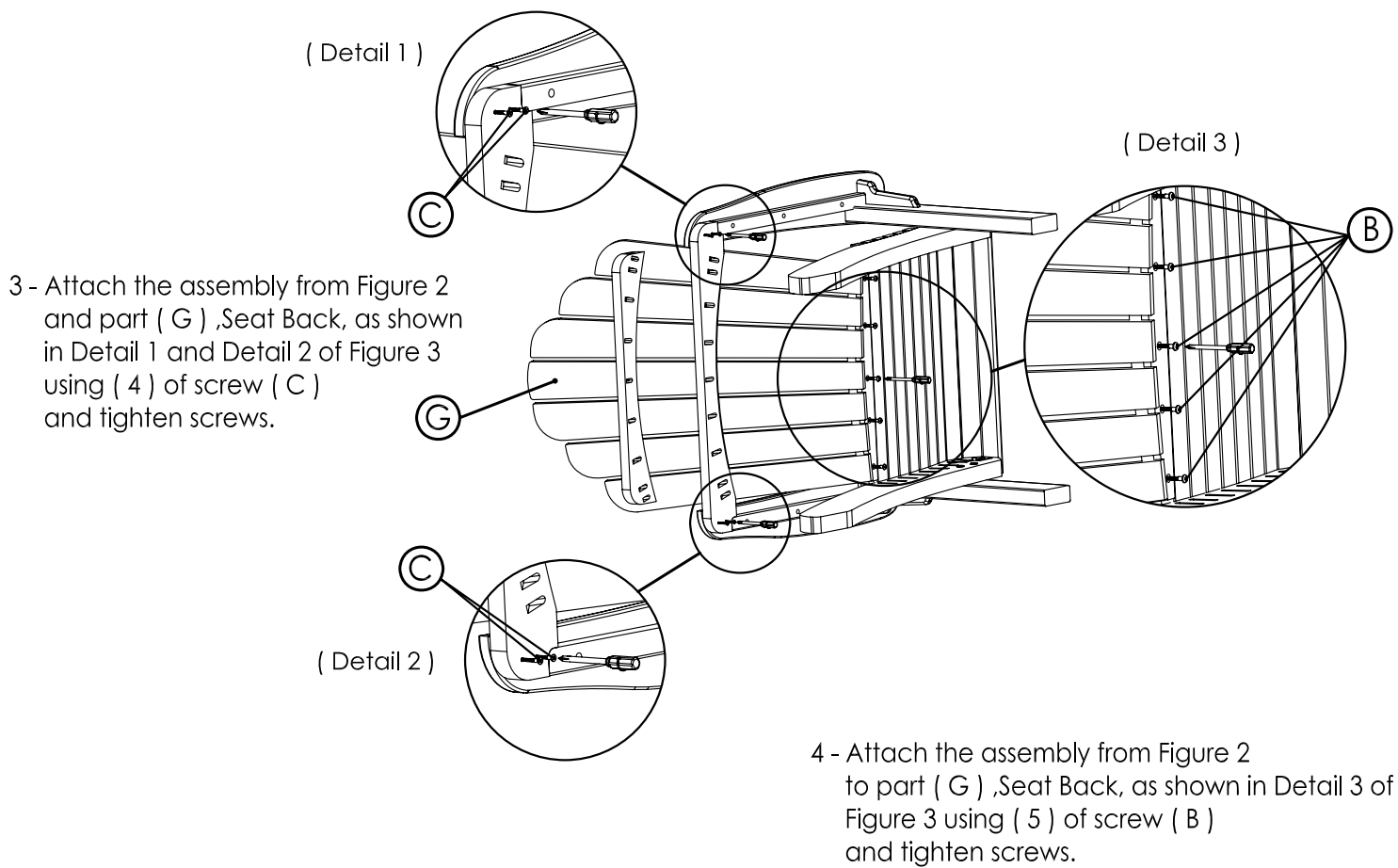


Figure 2

2 - Attach part (D), Left Arm Leg Assembly, and part (F), Seat Bottom, as shown in figure 2 using (3) of screw (A) and tighten screws using an Allen Wrench.

Figure 3



CARE AND MAINTENANCE

To clean Your product, use mild soap and water. For heavy soil build-ups use any Non-Abrasive household cleaners.

Please contact one of our Product Specialists for assembly assistance or questions at 1-866-947-7632 or email info@malibu-outdoor.com. Specialists are available weekdays 8:30 a.m. to 4:30 p.m. EST