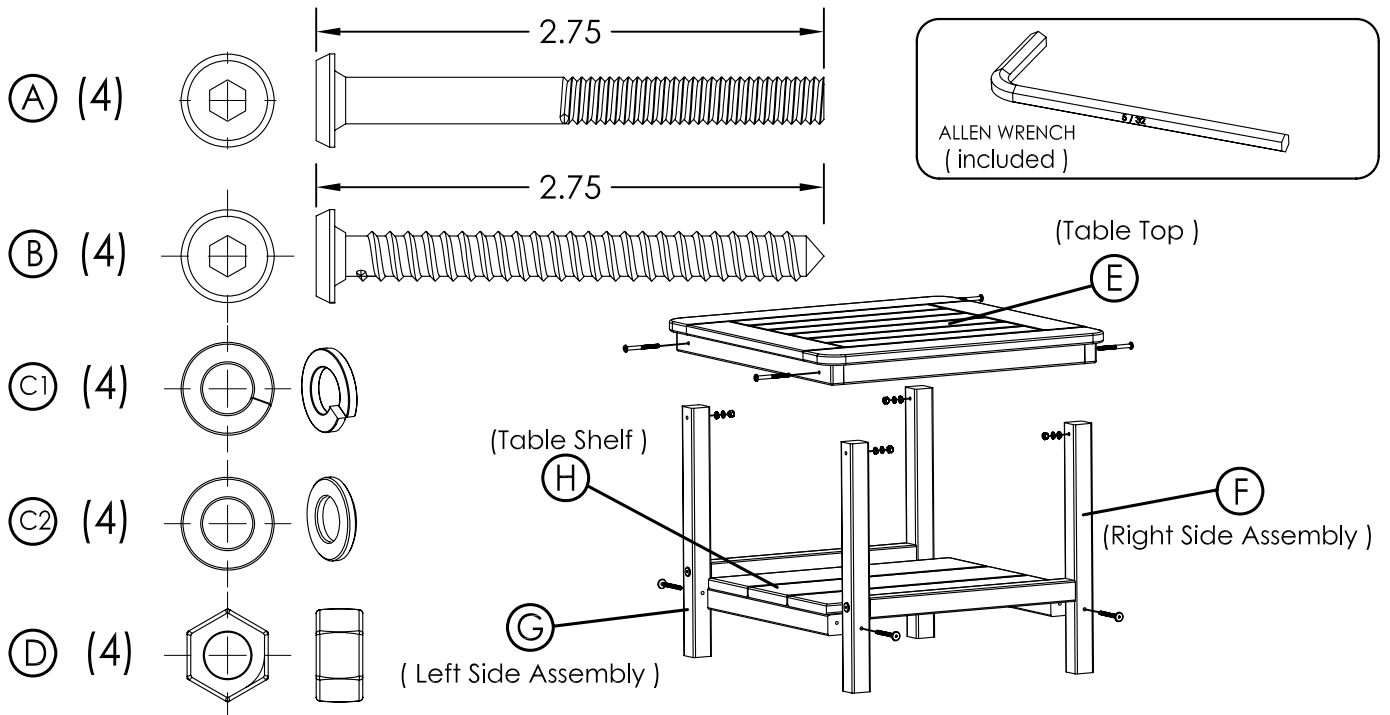


Hardware and Parts



Assembly Instructions

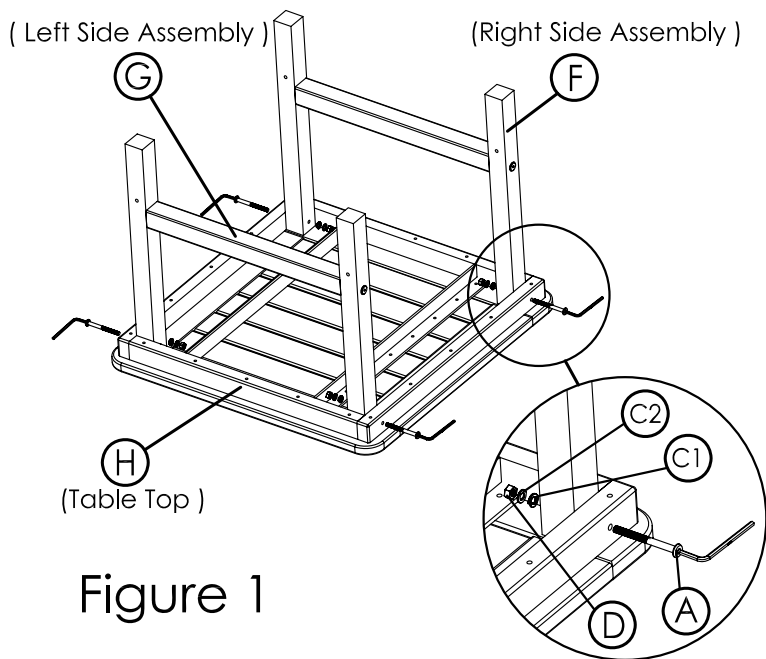


Figure 1

1 - Attach part (F), Right Side Assembly, and part (G), Left Side Assembly to to part (H), Table Top as shown in Figure 1 using (4) of joint connector bolts (A), (4) lock washers (C1), (4) washers (C2) and (4) hex nuts (D), tighten bolts using an Allen Wrench .

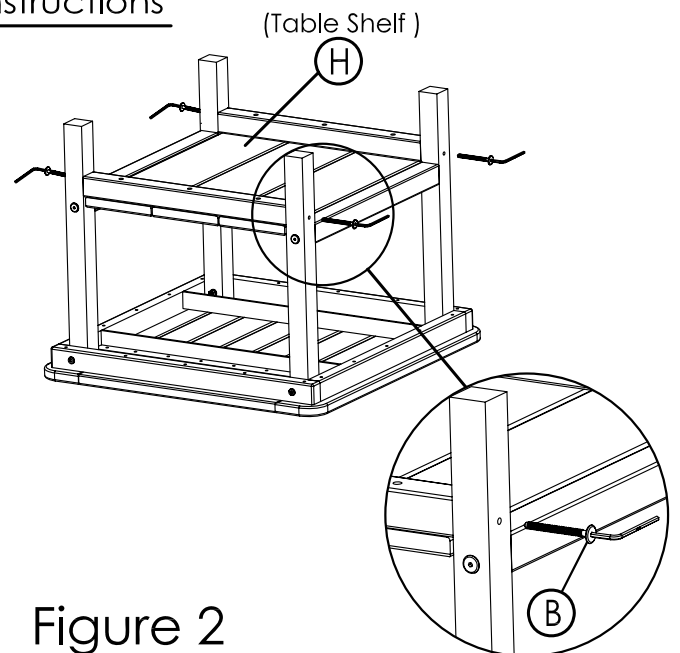
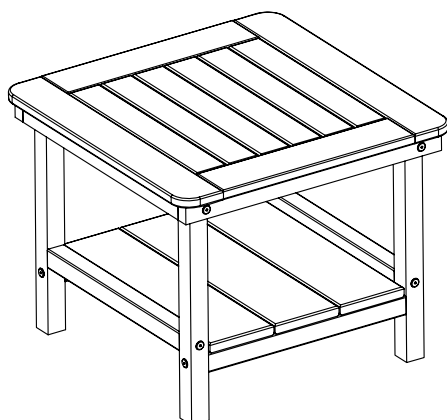


Figure 2

2 - Attach part (H), Table Shelf, to Assembly from figure 1 as shown in figure 2. Align and insert 4 of screw (B) into holes and tighten screws using an Allen Wrench.



CARE AND MAINTENANCE

To clean your product, use mild soap and water. For heavy soil build-ups use any Non-Abrasive household cleaners.