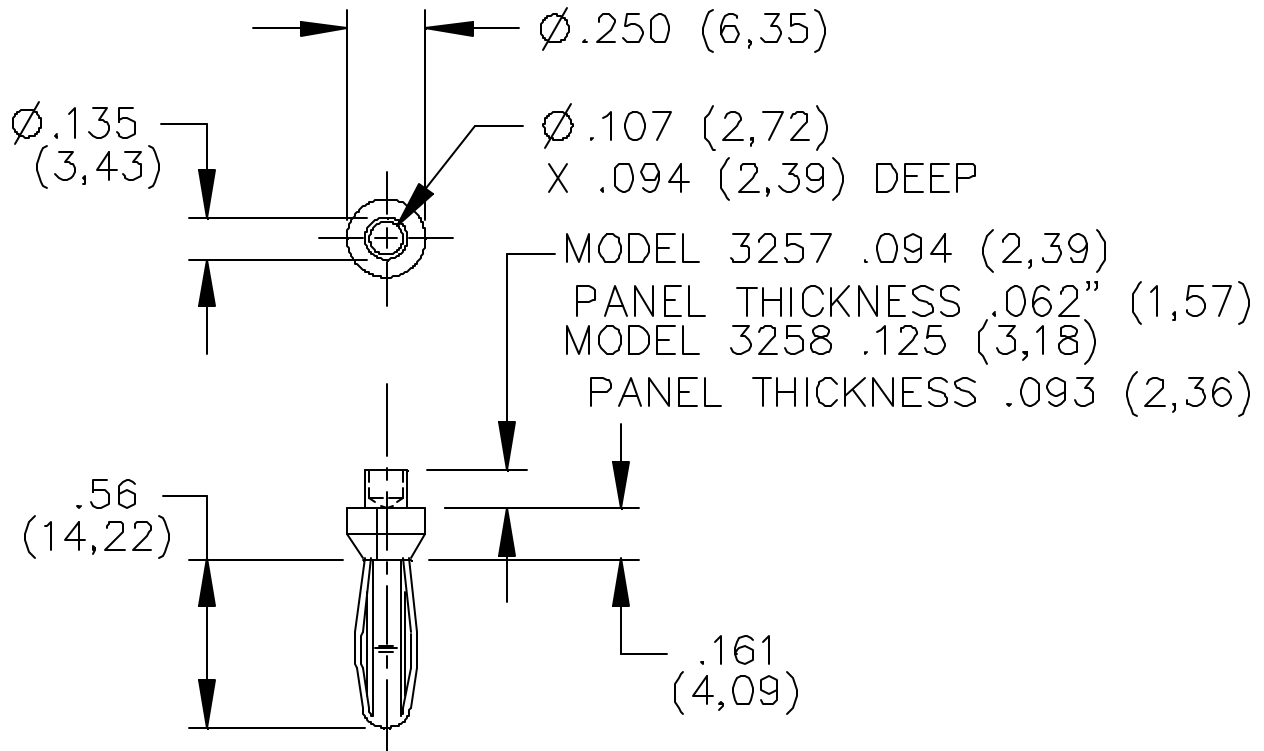


Model 3257 & 3258 Standard Rivet Type Banana Plug For 1/16" Thick Panel



FEATURES:

- Excellent for riveting to panels or boards.
- Fits standard (.166 dia.) banana jack

MATERIALS:

Banana Plug Body: Brass, Alloy 360, Annealed
 Spring: Beryllium Copper, Berylco 25, Cond. H.T.
 Finish: Nickel plated per QQ-N-290, Class 2, 200/300 microinches

RATINGS:

Operating Voltage: 5000 VDC
 Current: 15 Amperes

ORDERING INFORMATION: Model 3257 & 3258

Sold in packages of 10

All dimensions are in inches. Tolerances (except noted): .xx = ±.02" (.51 mm), .xxx = ±.005" (.127 mm).
 All specifications are to the latest revisions. Specifications are subject to change without notice.
 Registered trademarks are the property of their respective companies.

Made in USA

Mouser Electronics

Authorized Distributor

Click to View Pricing, Inventory, Delivery & Lifecycle Information:

Pomona:

3258 3257