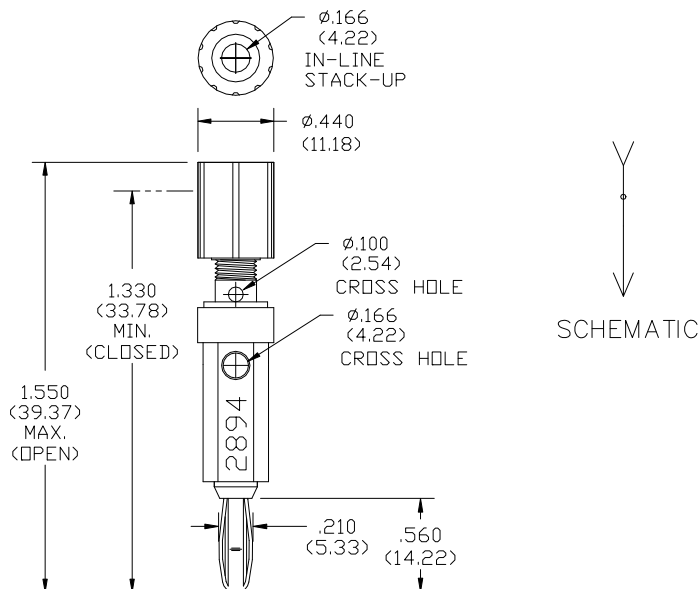


Model 2894
Binding Post to Single Banana Plug



Model 2894
Binding Post to Single Banana Plug



Features

- Features insulated binding post for rapid mounting and interchangeability of components.
- Center cross hole of 4.2mm (.166") dia. provides side stack-up connection.

Materials

Binding Post:

- Material: Body – Brass per QQ-B-626, Alloy 360, ½ Hard.
- Finish: Nickel plate per QQ-N-290, Class 2, 200/300 micro-inches.
- Insulation: Polycarbonate. Color: See Ordering Information

Banana Plug:

- Body: Brass per QQ-B-626, Alloy 360, ½ Hard.
- Spring: Beryllium Copper per QQ-C-533, Alloy 172, Cond.
- Finish: Nickel plate per QQ-N-290, Class 2, 200/300 micro-inches.

Insulation:

- Material: Polypropylene molded to Binding Post and Banana Plug bodies.
- Marking: "2894, POMONA ELECTRONICS, CALIF."

Specifications

Operating Voltage:

Hands free usage in controlled voltage environments: 2500 Vrms maximum.

For CE compliance: not intended for hand-held use at voltages above 33 Vrms/70 Vdc.

Operating Temperature: +50°C (+122°F) Max.

Current: 15 Amperes

Ordering Information

Model: 2894-*

*=Color, -0 (Black), -2 (Red)

Ordering Example: 2894-2 (Color of Binding Post collar is Red)

Other colors available upon request.

USA: Sales: 800-490-2361
Technical Support: technicalsupport@pomonatest.com
Fax: 425-446-5844

Europe: 31-(0) 40 2675 150 **International:** 425-446-5500

Where to Buy: www.pomonaelectronics.com

All dimensions are in inches. Tolerances (except noted): .xx = ±.02" (.51 mm), .xxx = ±.005" (.127 mm). All specifications are to the latest revisions. Specifications are subject to change without notice. Registered trademarks are the property of their respective companies.

Mouser Electronics

Authorized Distributor

Click to View Pricing, Inventory, Delivery & Lifecycle Information:

Pomona:

[2894-2](#) [2894-0](#)