

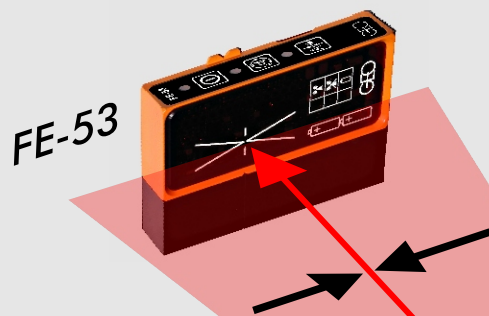
# Automatic- Rotary Laser RL-78L/-79L

## Finding the Line

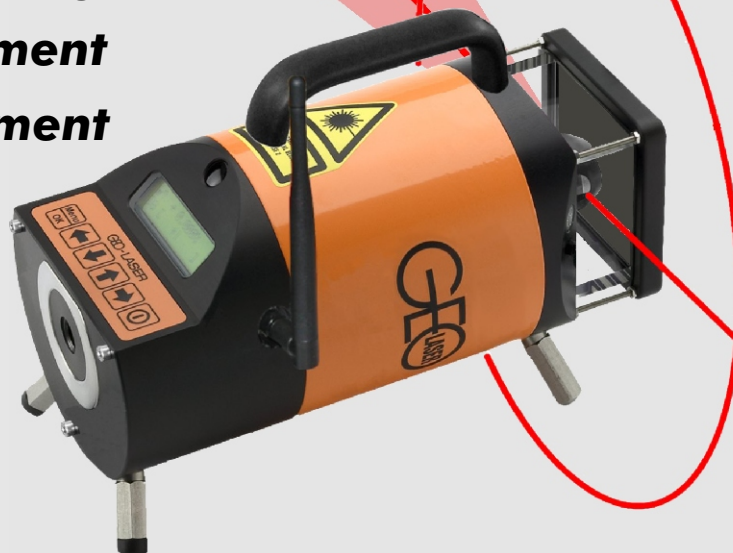


**RL-78L: Up to 200 m !**  
**RL-79L: Up to 500 m !**

**Automatic fixing of the  
laser light plane  
with locking receiver FE-53**



- automatically**
- **search for alignment**
  - **find alignment**
  - **lock alignment**



# Automatic Rotary Laser RL-78L

The professional levelling and alignment laser - simply the best

## Function

The automatic rotary laser, type RL-78L/-79L, is an all-around laser for horizontal and vertical use capable of electronic self-levelling over 3 axes. It emits a stationary or rotating laser beam, which turns into a light plane.

## Performance features

### ● Fully automatic

Automatic levelling and cut-out in case of low battery or jerky movements.

### ● Special laser beam quality

Diode laser with visible laser beam, high-powered lens, high life expectancy and low power consumption.

### ● Robust metal housing

Plastic-coated, swept and filled with nitrogen, 100 % watertight.

### ● Automatic fixing of the laser light plane

By pressing a button automatic search and fixing of the laser light plane of the Y axis. The function is as simple as it is ingenious:

The rotating laser beam is received by the locking receiver FE-53 and then automatically directed to the position fixed before.

Deviations are detected and corrected immediately.

Accuracy +/- 1 mm/100 m.

### ● Automatic function can be switched off

Therefore inclination adjustment by points of reference is possible.

### ● Increased safety

Control indicators with blinking warning system for levelling, operating status and low battery.

### ● Lithium ion rechargeable battery

Operation time to 28 hours with one charge.

Rechargeable in 5 hours max. without having to take out the battery.

### ● Manual rotor adjustment

Easy operation for exact positioning of the laser beam, rotor fixing and plumbing down with bubble level in rotor head.

### ● Checking and adjustment

Simple, fast and accurate!

In conjunction with the LE-72, the automatic adjustment of the horizontal light plane is comfortably possible.

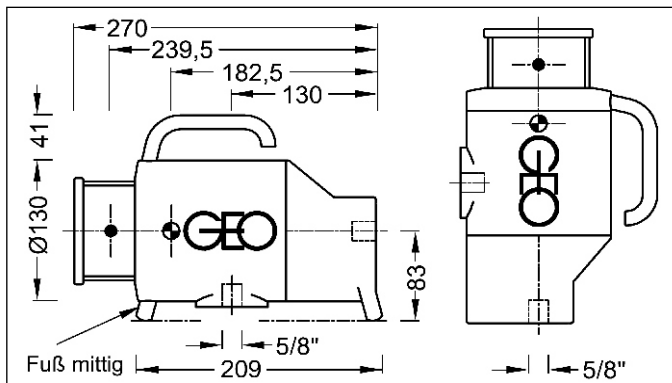
This offers more security and increases accuracy.

### ● Reliable system accessories for the best possible operation.

### ● Examples for use

Track surveying/laying, facade construction, shelf mounting, plant construction, planting machine control, sheet pile ramming, shuttering, height transfer, lifting of buildings, road level.

## Dimensional sketch



## Technical specifications

RL-78L Laser class / Output: . . . . . 2 / < 1 mW

RL-79L Laser class / Output: . . . . . 3R / < 5 mW

Laser: . . . . . diode, visible red, 658 nm

Beam diameter: . . . . . at laser 13 mm

RL-78L Range depending on ambient conditions: . . . to Ø 400 m

RL-79L Range depending on ambient conditions: . . . to Ø 1000 m

Automatic function: . . . . . horizontal and vertical

Automatic function can be switched off: yes, either one or both axes

Rotor speed: . . . . . adjustable: 0, 100, 200, 300, 600, 800 rpm

Self-levelling range: . . . . . ± 5 %

Permissible deviation: . . . . . ± 5 mm/100 m

Automatic locking: . . . . . to 500 m via locking receiver FE-53

Operating time with 7.4 V DC Li Ion recharge. battery: . . to 28 hours

External power supply: . . . . . 11 to 14 V DC with cable 0117.02

Low battery cut-out: . . . . . yes

Watertight: . . . . . to 3.5 m

Temperature range: . . . . . -10° C to +50° C

Weight: . . . . . 3.4 kg

Adjustment: . . possible in the field without having to open the device

Guarantee: . . . . . 24 months

## Standard delivery package

No.	Order No.	Type	Description
1	0001.707	RL-78L	Fully automatic rotary laser
2	0037.18	NE-80	Power supply/Battery charger
3	0077.36		Transport case
1- 3	0001.707.1		RL-78L with standard delivery package
1- 3	0001.705.1		RL-79L with standard delivery package



## Optional accessories

No.	Order No.	Type	Description
1	1035.29		Lightning 2 laser receiver
2	0009.39.1	LE-72	Laser receiver with digital data display
3	0009.36.1	FE-53	Locking receiver for laser light plane
4	0026.07	FB-10	Two-way radio control
5	0117.02		12 V DC Li Ion connection cable
6	0061.01.2	BW-80	Base plate/Wall mount
7	0122.01.1	ST-05	Facade mounting system



## GEO - partner of the construction industry for 45 years

from:

**European Quality Product**

# GEO-Feinmechanik GmbH

Laser for civil and underground engineering, interior works, machine control

Postfach 13 01 64  
45445 Mülheim an der Ruhr

Telephone +49 (0) 208-9 93 57-0  
Facsimile +49 (0) 208-9 93 57-25

Solinger Str.8  
45481 Mülheim an der Ruhr

www.geo-laser.de  
geo-team@geo-laser.de

Subject to change. Made in Germany.

Date: 01/2013