

# Automatic Precision Laser PL-95L



Machine construction    Shelve/Ship/Aircraft construction



LE-71

FE-53



automatically

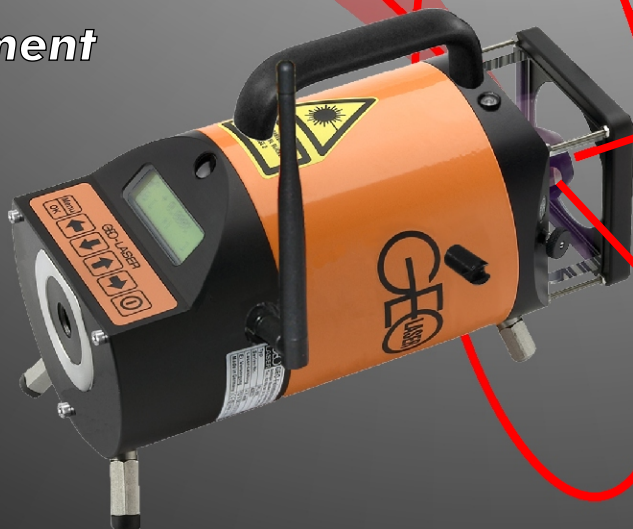
- search for alignment
- find alignment
- lock alignment

precisely

- plumb
- align
- level



Roll alignment    Wind power stations



FE-61

# Automatic Precision Laser PL-95L

## Precision in Perfection

### The PL-95L

is an all-round laser for horizontal and vertical use capable of electronic self-levelling over three axes. Equipped with a beam split prism in the rotor head, it can also be used as a square or plumb laser. It emits a stationary or rotating laser beam, which turns into a light plane.

### Performance features

- **Fully automatic**

Automatic levelling and cut-out in case of low battery or jerky movements.

- **Special laser beam quality**

Diode laser with visible laser beam, high-powered lens, high life expectancy and low power consumption.

- **Robust metal housing**

Plastic-coated, swept and filled with nitrogen, 100 % watertight.

- **Lithium ion rechargeable battery**

Operation time to 28 hours with one charge.

- **Manual rotor adjustment**

Easy operation for exact positioning of the laser beam, rotor fixing and plumbing down with bubble level in rotor head.

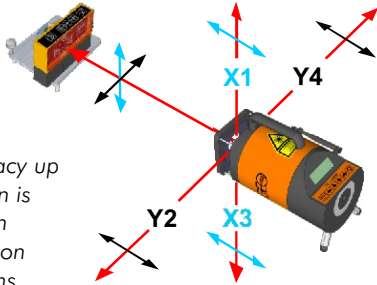
- **Automatic fixing of the laser light plane**

By pressing a button automatic search and fixing of the laser light plane of the Y axis. The function is as simple as it is ingenious: The rotating laser beam is received by the locking receiver FE-53 and then automatically directed to the position fixed before. Deviations are detected and corrected immediately. Accuracy to +/- 0.5 mm/100 m.

- **Automatic fixing of the plumb beam**

As soon as the laser beam hits the locking receiver FE-61, it is automatically directed to the position fixed before.

Deviations are detected and corrected immediately. Accuracy up to ± 1 mm/100 m. Operation is possible horizontal, vertical, in alignment, with every inclination and even on swaying platforms.

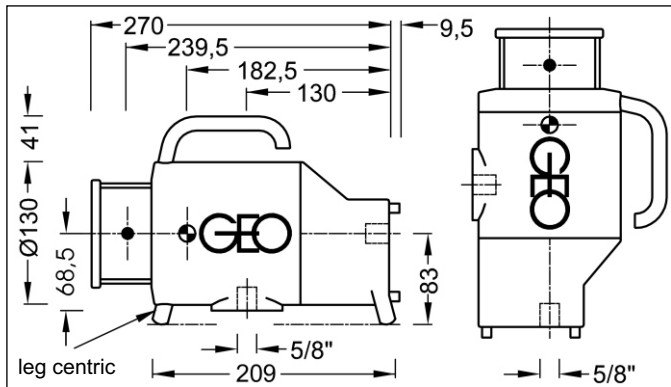


- **Checking and adjustment**

Simple, fast and accurate! In conjunction with the LE-71, the automatic adjustment of the horizontal light plane is comfortably possible. This offers more security and increases accuracy.

- **Reliable system accessories** for the best possible operation.

### Dimensional sketch



### Technical specifications

Laser class: ..... 2  
 Output power plumb and rotating beam: ..... < 1 mW each  
 Laser type: ..... diode, visible red, 635 nm  
 Beam diameter: ..... 5 mm at laser  
 Range depending on circumstances: ..... from 0.5 to 100 m, Ø 200 m  
 Automatic function: ..... horizontal and vertical  
 Automatic function can be switched off: ..... yes, either one or both axes  
 Rotor speed: ..... adjustable in steps of 0 to 800 RPM  
 Self-levelling range: ..... ± 5 %  
 Direction setting: ..... ± 5 %  
 Accuracy: ..... ± 0.025 mm + ± 0.024mm/m  
 Locking automatic laser light plane: ..... up to 100 m with receiver FE-53  
 Locking automatic plumb beam: ..... up to 75 m with receiver FE-61  
 Operating time with 7.4 V DC Li Ion recharge. battery: ..... to 28 hours  
 External power supply: ..... 11 to 14 V DC with cable 0117.02  
 Low battery cut-out: ..... yes  
 Watertight: ..... to 3.5 m  
 Temperature range: ..... 0° C to + 40° C  
 Weight: ..... 3.4 kg  
 Adjustment: ..... possible in the field without having to open the device  
 Guarantee: ..... 24 months

### Standard delivery package

No.	Order No.	Type	Description
1	0001.765	PL-95L	Precision laser
2	0037.18	NE-80	Power supply/Battery charger
3	0077.36		Transport case
1-3	0001.765.1		PL-95L with standard delivery package



### Optional accessories

No.	Order No.	Type	Description
1	0009.38.1	LE-71	Laser receiver with digital data display
2	0009.36.1	FE-53	Locking receiver for laser light plane
3	0009.70.1	FE-61	Locking receiver for plumb beam
4	0026.07	FB-10	Two-way radio control
5	0117.02		12 V Li Ion connection cable
6	0061.01.2	BW-80	Base plate/Wall mount
7	0036.00.1	VS-80	Sliding guide with plug-in spigot adapter
-	0059.06.1	ST-10	Alu. crank tripod, min. 0.55 m, max. 0.94 m
Further optional accessories on request			



### GEO - partner of the construction industry for 50 years

from:

European Quality Product

CE Certified

# GEO-Feinmechanik GmbH

Laser for civil and underground engineering, interior works, machine control

Postfach 13 01 64  
 45445 Mülheim an der Ruhr  
 Telephone +49 (0) 208-9 93 57-0  
 Facsimile +49 (0) 208-9 93 57-25

Solinger Str.8  
 45481 Mülheim an der Ruhr  
 www.geo-laser.de  
 geo-team@geo-laser.de

Subject to change. Made in Germany. Date: 05/2013