

# Automatic Plumb Laser

**Plumb-up Laser: LL-80L/LL-81L**

**Plumb-down Laser: LL-82L/LL-83L**



*Going up or down quickly and safely*



**Plumb-down  
Laser:  
LL-82L  
LL-83L**

**Plumb-up  
Laser:  
LL-80L  
LL-81L**



# Automatic Plumb Laser

**plumbing quickly and safely means: inexpensive**

## Functional description

The automatic plumb laser LL-80L/-81L is a laser for plumbing up, the automatic plumb laser LL-82L/-83L is a laser for plumbing down, capable of electronic self-levelling over two axes.

## Performance features

### ● LL-80L/-82L

Laser class 2, laser power < 1 mW.  
No special safety precautions necessary.  
The easy standard laser class.

### ● LL-81L/83L

Laser class 3R, laser power < 5 mW, high-power version.  
Laser power adjustable in five steps.

### ● Fully automatic

Automatic levelling and cut-out in case of low battery or jerky movement.

### ● Automatic function can be switched off

Therefore inclination adjustment by points of reference is possible.

### ● Illuminated, clearly legible LCD display

Self-explanatory, for on/off, device data, company data, lock function, operating status, battery level and menu.

### ● Robust metal housing, 100 % watertight

Plastic-coated, swept and filled with nitrogen.

### ● Special laser beam quality

Diode laser with visible beam, high-powered lens, high life expectancy and low power consumption.

### ● Lithium ion rechargeable battery

Operation time to 60 hours with one charge.  
Rechargeable in max. 5 hours without having to take out the battery.

### ● Increased safety

Control indicators with blinking warning system for levelling, operating status and low battery.

### ● Uncompromisingly easy

All you have to do is switch on/off. The rest is done by the LL-80 automatically.

### ● Checking and adjustment

Easily possible at the building site as well. The device does not have to be opened for adjustment.

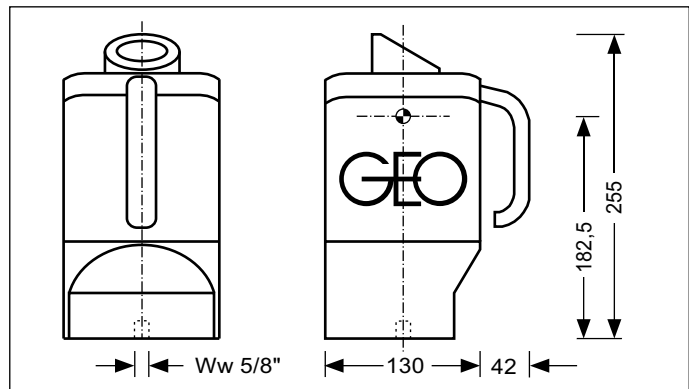
## GEO quality guarantee

The new generation of lasers is the result of years of experience in the research, development and production of laser devices for the construction industry.

## Technical specifications

Laser class LL-80L/-82L: . . . . . 2, < 1 mW  
Laser class LL-81L/-83L: . . . . . 3 R, < 5 mW  
Laser: . . . . . diode laser, visible red, 635 nm  
Beam diameter: . . . . . 13 mm at laser  
Range LL-80L/-82L: . . . . . to 200 m  
Range LL-81L/-83L: . . . . . to 500 m  
Self-levelling range: . . . . . ± 5 %  
Permissible deviation: . . . . . ± 5 mm/100 m  
Operating time with 7.4 V DC Li Ion recharge. battery  
. . . . . LL-80L/-82L: to 60 hours  
. . . . . LL-81L/-83L: to 45 hours  
External power supply: . . . . . 11 to 14 V DC with cable 0117.02  
Low battery cut-out: . . . . . yes  
Watertight: . . . . . to 3.5 m  
Temperature range: . . . . . - 10° C to + 50° C  
Weight: . . . . . 3.4 kg  
Adjustment: possible in the field without having to open the device  
Guarantee: . . . . . 24 months

## Dimensional sketch



## Standard delivery package

No.	Order No.	Type	Description
1	0001.4xx	LL-8x	Plumb laser
2	0037.18	NE-80	Power supply/Battery charger
3	0077.36		Transport case
4	0094.00.1		5/8"-hexagon bolt with nut and washer
5	0002.00	LL-ZT	Target with coordinates grid
1-5	0001.405.1	LL-80L	with standard delivery package
or	0001.415.1	LL-81L	with standard delivery package
or	0001.425.1	LL-82L	with standard delivery package
or	0001.435.1	LL-83L	with standard delivery package
-	8675.11		Extra Charge, Deviation: ± 2.5 mm/100 m



## Optional accessories

No.	Order No.	Type	Description
1	0117.02		12 V cable, 1,8 m, laser <-> battery connect.
2	0061.07	ST-08	Plumb tripod
3	0061.15	BS-20	Ground tripod
4	0056.00.2		Quick-Fix base plate
5	0056.00.1		Standard tripod adapter with centre spigot
6	8803.06	KA-84	Claw adaptor, swivelling, system Leica/Wild
7	8869.00	DF-TZ	Tribrach, system Trimble/Zeiss
8	0033.13		Plumb-down laser adaption



## GEO - partner of the construction industry for 50 years

from:

**European Quality Product**

**CE**  
Certified

# GEO-Feinmechanik GmbH

**Laser for civil and underground engineering, interior works, machine control**

Postfach 13 01 64 Telephone +49 (0) 208-9 93 57-0  
45445 Mülheim an der Ruhr Facsimile +49 (0) 208-9 93 57-25

Solinger Str.8 www.geo-laser.de  
45481 Mülheim an der Ruhr geo-team@geo-laser.de

Subject to change. Made in Germany. Date: 04/2014