

Fellowes

Let your
productivity flow



Tallo™
Single Monitor Arm

TALLO™

Single Monitor Arm

Features:

- Experience perfect harmony through dynamic design and ergonomic excellence with our award winning range
- Dynamic gas spring movement helping you to reduce eye, neck and back strain and work in comfort
- Awarded Ergonomic Excellence by Fira International
- Independently tested to meet ergonomic requirements outlined in European Health and Safety Legislation: EN ISO 9241-5
- Holds one screen weighing 1 - 9kg and up to 40"
- Made from 73% recycled materials and 61% recyclable



Specification:

Code	8614301	8614601	8613001
Colour	Black: RAL 9017	White: RAL 9016	Silver: RAL 9006
Product Dimensions (H x W x D)	130 x 375 x 320 mm		
Product Weight	3.1 kg		
Outer Carton Dimensions (H x W x D)	145 x 355 x 390 mm		
Outer Carton Weight	4.4 kg		
Dynamic Height Adjustability	322 mm		
Height Adjustment Range	178 mm – 500 mm		
Reach Range	74 mm – 619 mm		
Rotation	± 90° (180°)		
Pan	± 90° (180°)		
Tilt	+75°/-35° (110°)		
Arm Swivel	360° (180° lockout)		
Tension Adjustment	Yes		
USB Connectivity	Optional with Tallo™ Flexcharge hub		
VESA	75 x 75 / 100 x 100 quick release plate		
Clamp: Desk Thickness	0 – 45 mm		
Grommet: Desk Thickness	10 – 75 mm		
Grommet: Diameter	10 – 80 mm		
Weight Capacity (kg)	1 – 9 kg per arm		
Maximum Monitor Size	40" (101.6cm) diagonally / 100 cm (H)		
Retail Barcode (UPC)	043859753031	043859753062	043859752904
Outer Carton Barcode (SCS)	50043859753036	50043859753067	50043859752909
Quantity per Outer Carton	1		
Country of Origin	China		
Warranty	15 years limited		

Environmental:

Product	Product Material Breakdown		Product Recycled Content		
	Weight (g)	Weight (%)	Pre-Consumer Recycled Content (g)	Post Consumer Recycled Content (g)	Total Recycled Content (%)
Aluminium	1808.60	58.7%	-	1808.60	100%
Steel	1098.80	35.7%	-	439.52	40%
Brass	8.20	0.3%	-	-	-
Plastic	130.80	4.2%	-	-	-
Other	33.20	1.1%	-	-	-
Total	3079.60	100%	-	2248.12	73.0%

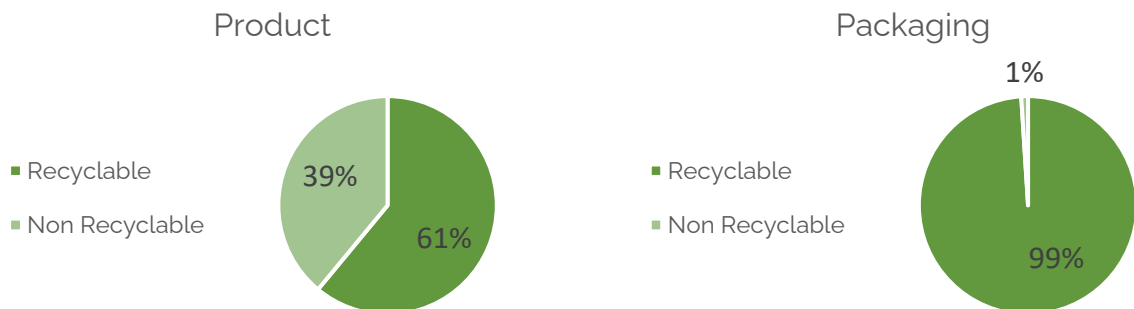
Packaging	Product Material Breakdown		Product Recycled Content		
	Weight (g)	Weight (%)	Pre-Consumer Recycled Content (g)	Post Consumer Recycled Content (g)	Total Recycled Content (%)
Paper / Card / Corrugated	1306.24	95.9%	-	352.88	27.0%
LDPE (4) plastic bag	51.50	3.8%	-	-	-
Nylon plastic strap	3.00	0.2%	-	-	-
Polystyrene Foam	2.00	0.1%	-	-	-
Total	1362.74	100%	-	352.88	25.9%

Pre-Consumer Recycled Content: Waste material that was created during the process of manufacturing or delivering goods prior to their delivery to consumers.

Post-Consumer Recycled Content: Waste material created by consumers. This material is diverted from landfills and utilized in the production of other commodities.

Recyclability:

Percentage of the product and packaging that can be easily separated for recycling.



Ergonomic Working:



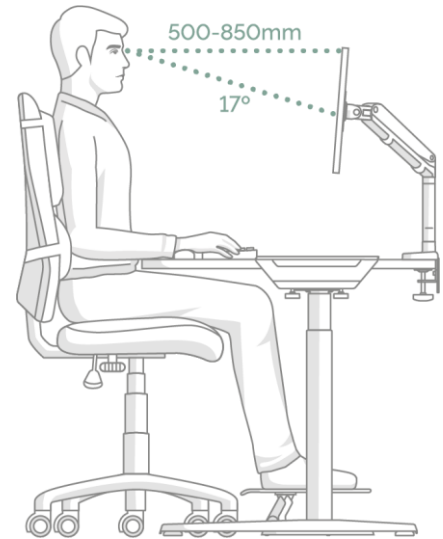
ZONE 3

RELIEVE NECK STRAIN

Achieve comfortable viewing.
Ensure your eyes are in line with
the top of your screen.

How to use a monitor arm

- 1. Arms Reach:** Whether sitting or standing check that your monitor is positioned so you can touch the screen with your fingertips and that you can easily read what is on your screen without straining.
- 2. Eye level:** Adjust the monitor arm until the top of your monitor/s are roughly level with your eyes.
- 3. Tilt:** Tilting the screen slightly upwards can help achieve a more neutral posture and reduce glare.
- 4. Multiple screens:** If you're using more than one monitor make sure:
 - The tops of each screen are level and positioned side by side;
 - You sit in the middle or in front of your main screen to reduce twisting and turning.



Certifications:

Red Dot Award: Product Design 2022



reddot winner 2022

Ergonomic Excellence by Fira International

EN ISO 9241-5 1999 Ergonomic requirements for office work with visual display terminals (VDT's): part 5: 1999, workstation layout and postural requirements.



ANSI / BIFMA x5.5 – 2014 Desk/Table Products. Clause 22, 23, 24.

CAD Files:

.dwg CAD files available to download from pCon Catalog

OFML data available on all pCon platforms



Aftercare:

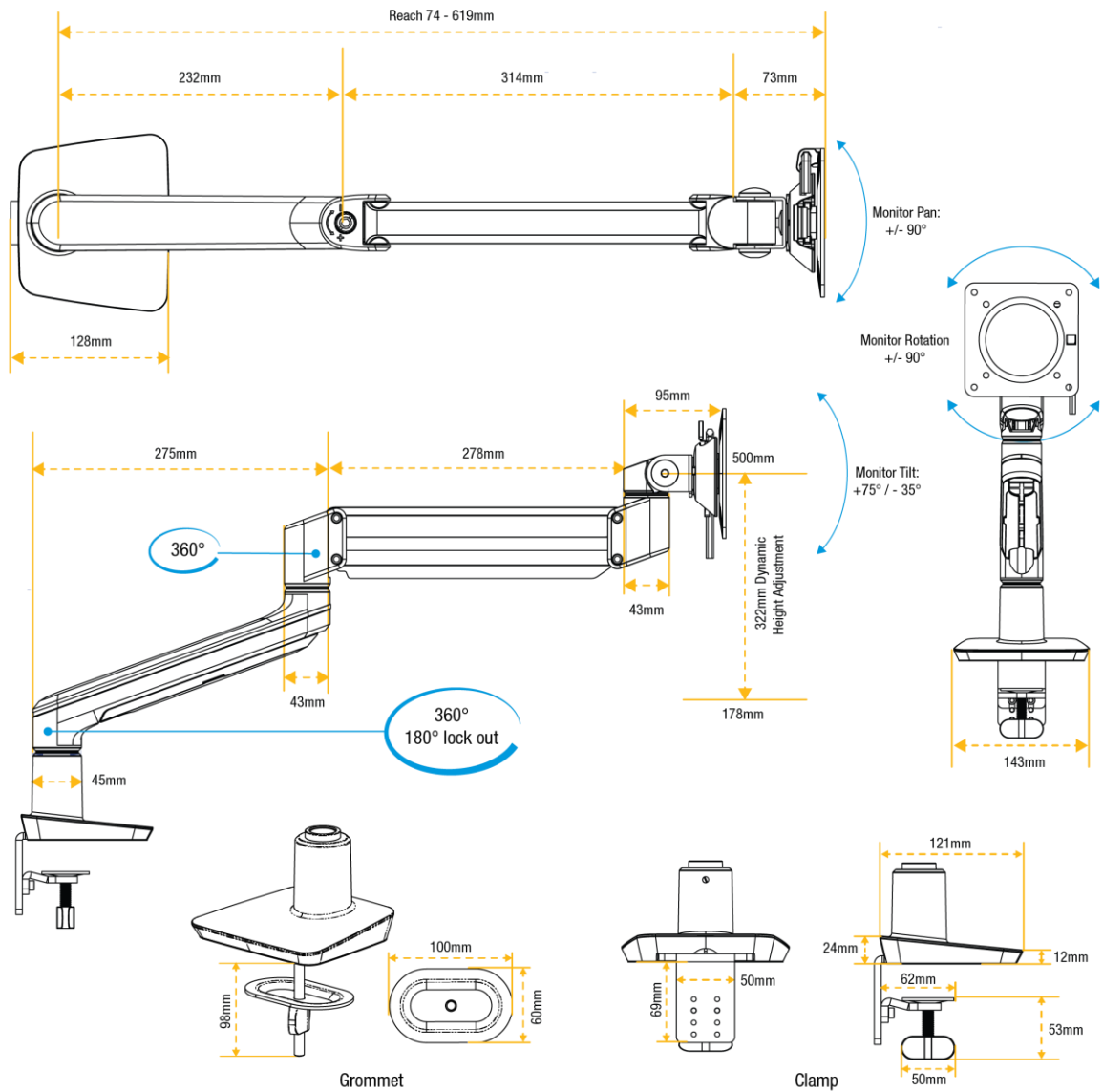
Servicing: Check joint parts regularly to make sure the screws have not loosened.

Spare Parts: Available. Contact CS-UK@Fellowes.com or telephone 00800 18101810.

Cleaning: Wipe over with a damp microfibre cloth. Do not use any cleaning solutions.

Handling & Storage: Read and follow all instructions and warnings before use. This product is intended for indoor use only.

Dimensional Drawings:



Every effort has been made to ensure that information provided in this document is up to date and accurate. However, Fellowes cannot guarantee and assumes no legal liability or responsibility for the accuracy or completeness of the information provide. In case of any query please contact us as www.Fellowes.com/locations.