

Vision Electric Desk

The Vision frame has been designed with the latest in electric sit-stand technology, including an option for contact-less adjustment and personalised safety precautions. The clean lines and black or white colour options of the Vision frame complements any workplace. Vision features a telescopic beam that can be adjusted to suit a wide range of top sizes, and is covered by a comprehensive 10 year warranty on both frame and electrical components.

Desk Style	Linear actuator desk, one motor per leg
Max Weight	120kg 2-leg, 150kg 3-leg
Height Range	625- 1275mm (no top)
Glide Adjustment	10mm glide adjustment
Top Width	1200 to 3600mm
Top Depth	600 - 900mm
Configuration	180° two or three leg, 90° and 120°
Speed	36mm / second
Operating Volume	Less than 48dB
Controller	Programmable controller with 4 height settings
Collision Control	Collision control with adjustable sensitivity
Container / Shelf Stop	Customisable min/max height range
Additional Features	Desk lock setting / press and hold or press and forget settings
Optional Accessories	Bluetooth contactless operation / cascading feature for multiple leg configurations / custom shapes and sizes
Colours	Black / white / silver
Warranty	10 years on frame and electrics



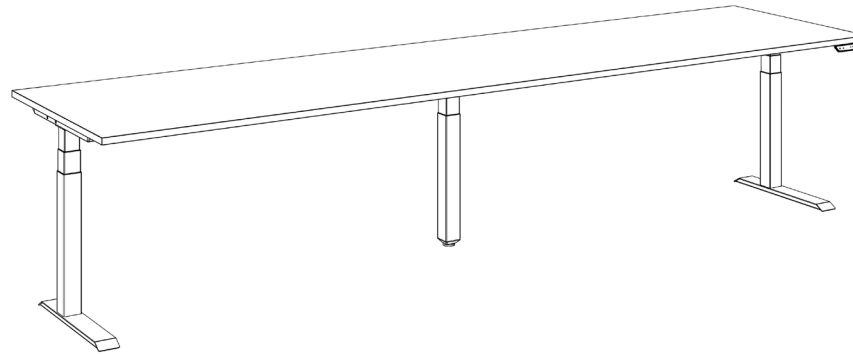
Vision

Electric 180°

Workstation Configurations

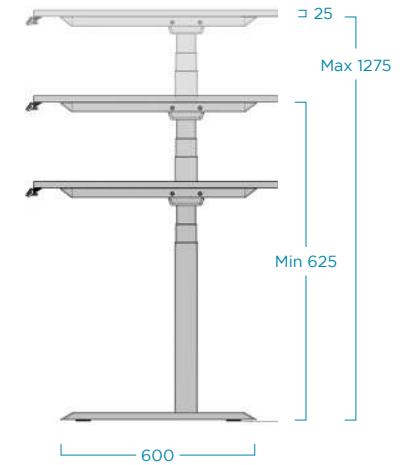


180° Single Desk

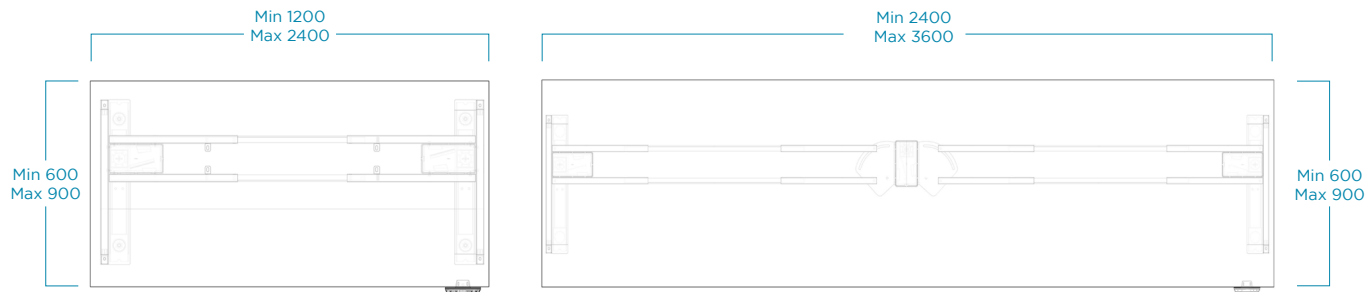


180° Long Desk

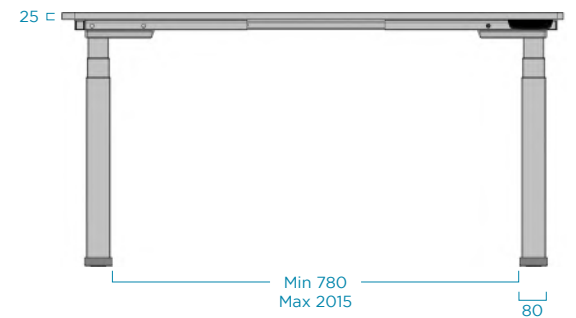
Height Range



Worktop Size



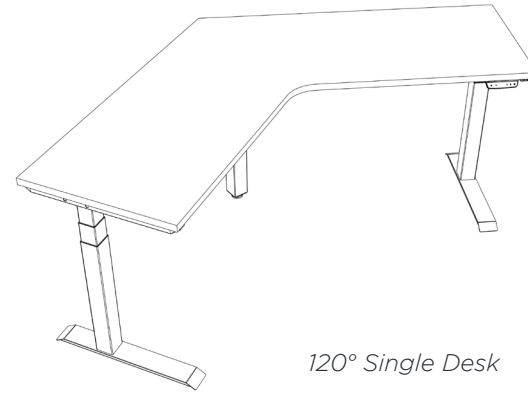
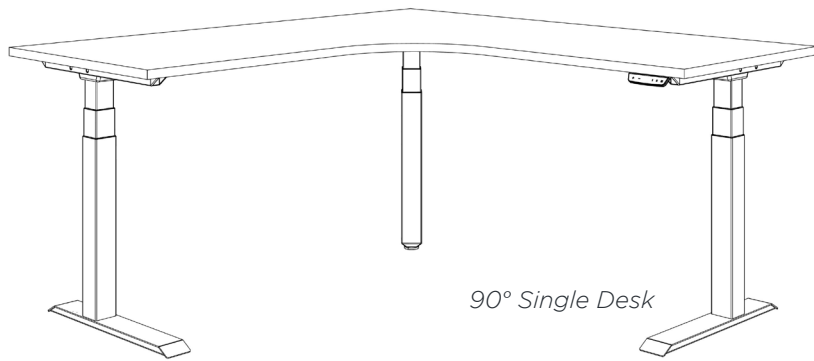
Frame Size



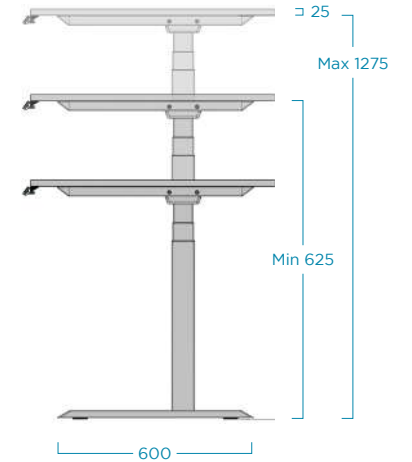
Vision

Electric 90° and 120°

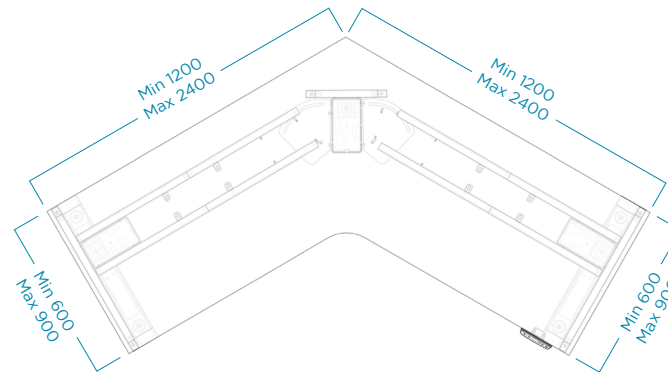
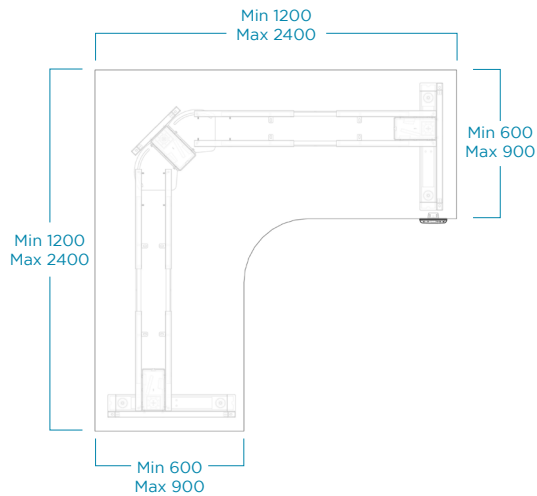
Workstation Configurations



Height Range



Worktop Size



Frame Size

