

STEP 10: CABLE MANAGEMENT

A. Route power and monitor cables through the flexible cable clips on the M8.1's upper link (A).

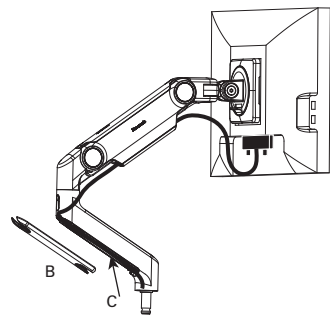
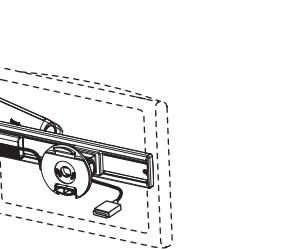
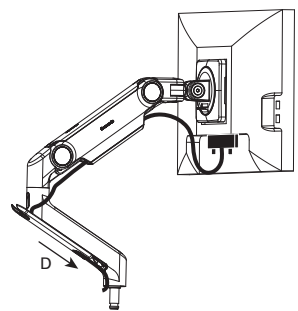
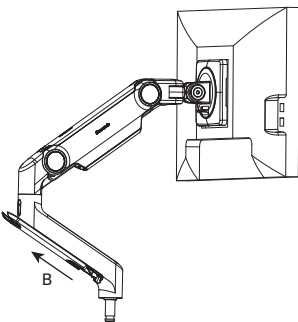
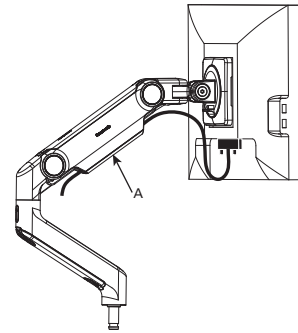
NOTE: Leave enough slack in the cables to allow arms to rotate without difficulty.

B. Slide the plastic cover on the lower link upward until it disengages, then remove (B).

C. Route cables inside the lower link (C).

D. Place the plastic cover back onto the lower link and slide downward until it clicks into place (D).

NOTE: For dual-monitor applications, first route monitor cables through cable management clips (E), then refer to step A.



STEP 11: ARM ADJUSTMENTS

WEIGHT ADJUSTMENT

Your monitor should move up and down easily and stay in place once adjusted. If it is difficult to adjust or moves without assistance, it is not properly counterbalanced. M8.1: Weight Range: 6-28 lbs.

Single Monitor - Max weight: 28 lbs.

Crossbar - Max weight per monitor: 12.5 lbs.

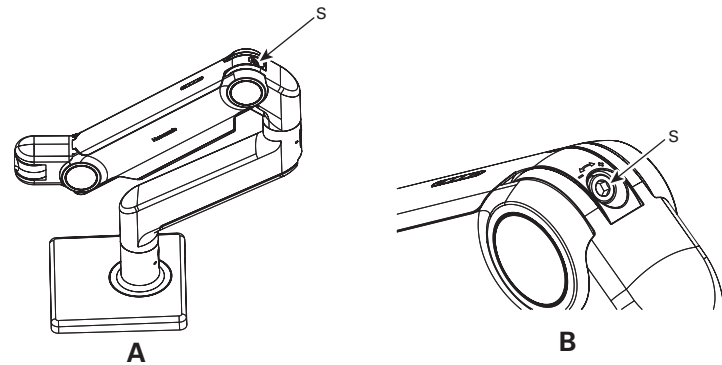
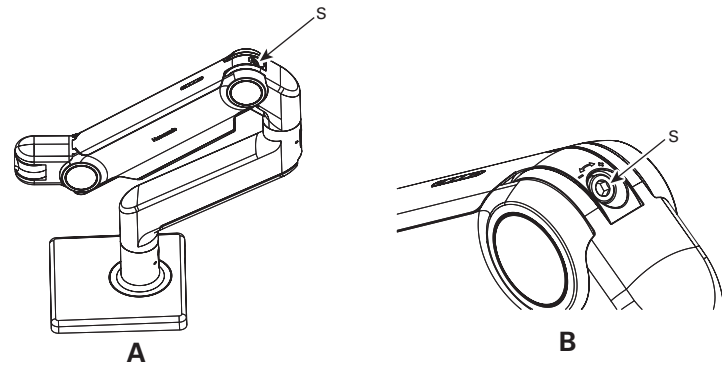
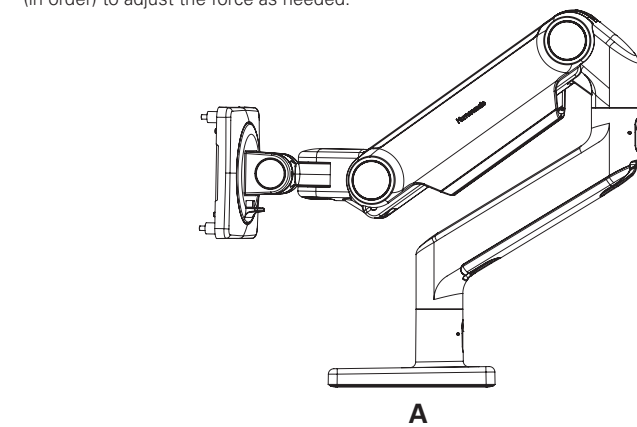
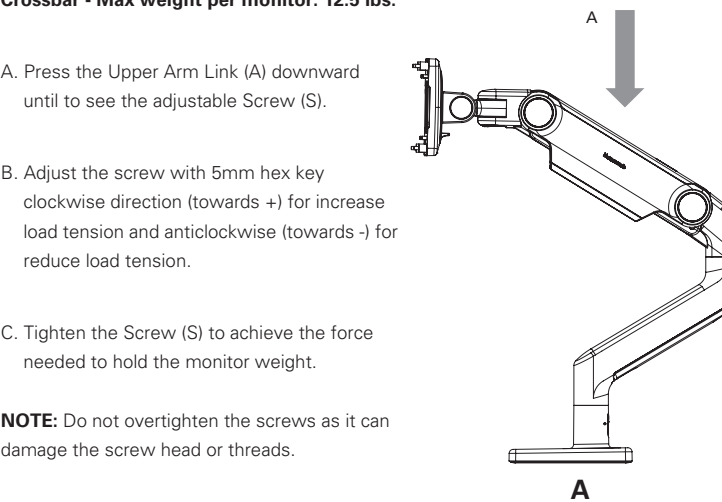
A. Press the Upper Arm Link (A) downward until to see the adjustable Screw (S).

B. Adjust the screw with 5mm hex key clockwise direction (towards +) for increase load tension and anticlockwise (towards -) for reduce load tension.

C. Tighten the Screw (S) to achieve the force needed to hold the monitor weight.

NOTE: Do not overtighten the screws as it can damage the screw head or threads.

D. Move the monitor around to ensure that movement is smooth and the arm functions as desired. If required, repeat steps A and B (in order) to adjust the force as needed.



M8.1 INSTALLATION HARDWARE

4 Standard VESA Bracket Screws

4 Plastic Spacers

4 Extended VESA Bracket Screws

VESA BRACKET

5mm Hex Key

NOTE: 4mm and 5mm Hex Key can be found under the plastic base cover.

Bolt-Through Mount

8mm Hex Key

Bolt-Through Plate

Bolt-Through Bolts

Sliding Desk Mount

Bracket Screws

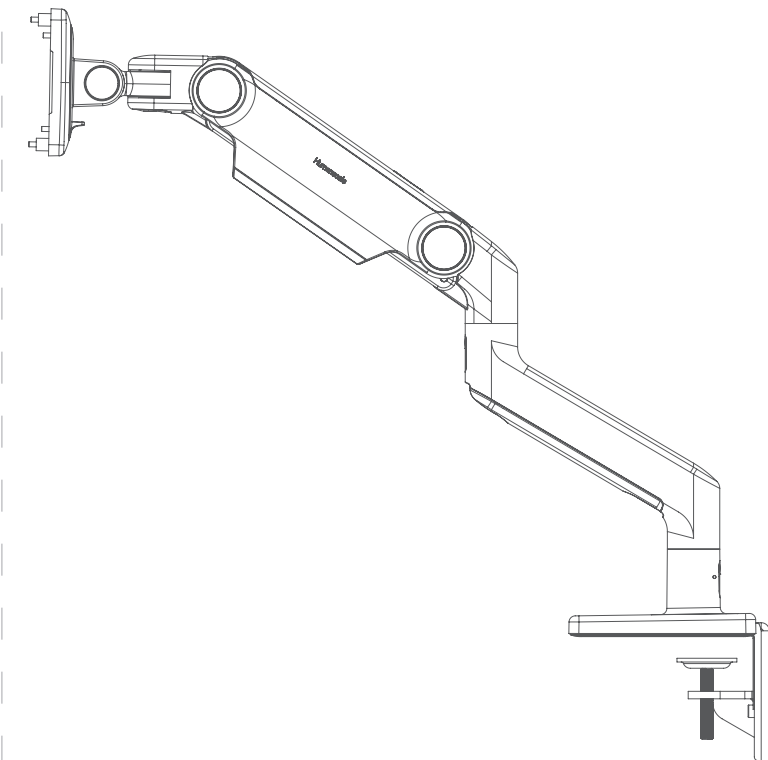
Clamp Mount

Bracket Screws

Crossbar Installation Hardware

4mm Hex Key

3 Crossbar Link Screws



Humanscale®

M8.1

Desk Mount Installation Instructions

www.humanscale.com

© 2018 Humanscale Corporation. The text and artwork are copyrighted materials. All rights reserved. The Humanscale mark and logo are trademarks of Humanscale Corporation and are registered in the United States and certain other countries. The M8.1 trademark is owned by Humanscale Corporation.

HSIM810818

STEP 1: ATTACH MOUNT TO WORK SURFACE

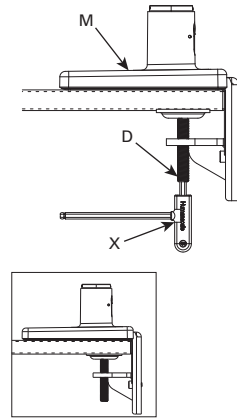
CLAMP MOUNT

1A. For installation on open edge of work surface:

- Slide Mount (M) against work surface edge and fully tighten Clamp screws(D) with 5mm hex key (X).

NOTE: If work surface is too thin to attach Mount at default setting, proceed to step 1B.

- Proceed to Step 3.



1B. For installation on work surface positioned against a wall or panel:

- Detach the Bottom Clamp (A) from the Top Bracket (B) by loosening Bracket Screws (C) with 5mm hex key (X).

- Position the Top Bracket against work surface edge.

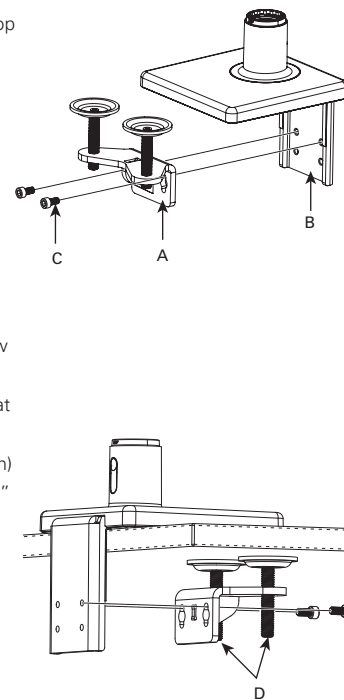
- Underneath the work surface, reattach the Bottom Clamp to the Top Bracket using the Bracket screws.

NOTE: There are two sets of Bracket Screw holes to accommodate the thickness of every work surface. Use the set of holes that allow the Clamp Screw to tighten fully. Use the top holes for surfaces up to 1.8" (48mm) thick and lower holes for surfaces up to 2.7" (68mm) thick.

- Fully tighten the Clamp Screws(D) with 5mm hex key (X).

- Proceed to Step 3.

NOTE: Clamp Mounts cannot be used to mount the M8 to any vertical surface.



SLIDING DESK MOUNT

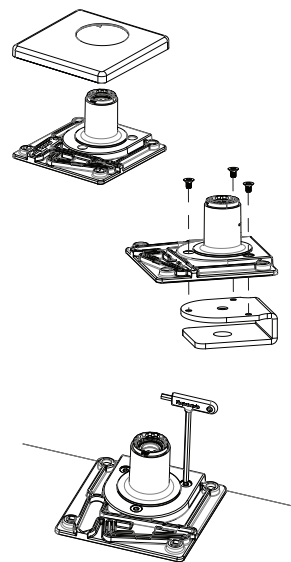
1D. For installation on a desk with minimal clamp clearance:

- Remove Base Cover.

- Loosely attach Clamp Bracket (E) to base with three included screws (F). The screws should not be tightened all the way.

- Slide the base and clamp over the back edge of the work surface until the clamp rests on the edge.

- Fully tighten the three clamp screws to secure the base to the work surface.



BOLT-THROUGH MOUNT

1D. For installation on work surface with no access for clamp system:

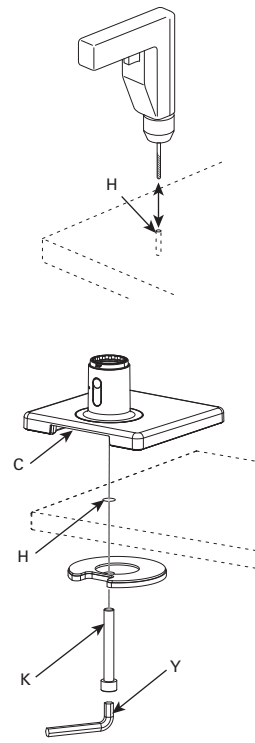
- Drill 1/2" hole through work surface in desired location.

Note: Bolt-Through Mount can accommodate a hole up to 4" (102mm) in diameter. If hole is 2" (51mm) or more, cables can be routed through the hole. For some 2" grommet holes, cables should be routed before installation of mount to accommodate cable plugs (cable access is approximately 1.5" x 0.25" with 2" grommets).

- Position the M8 Base over the work surface hole (H).

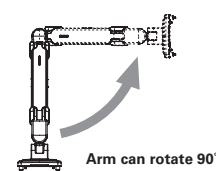
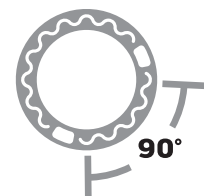
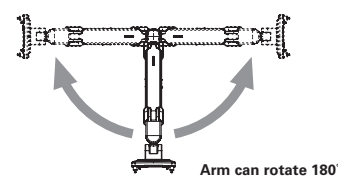
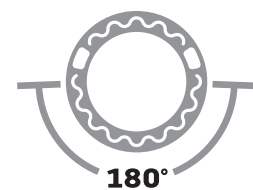
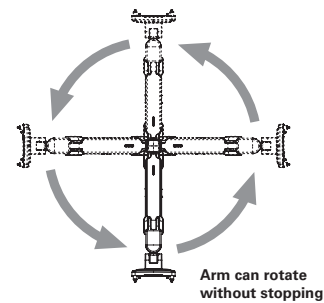
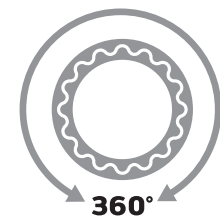
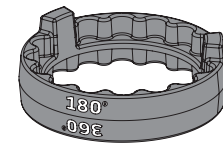
- Align Bolt-Through Plate, foam side up, under the work surface. Pass the Bolt (K) through the hole in the plate and screw into M8 base by using 8mm hex key (Y).

- Proceed to Step 3.



STEP 2: SMART STOP ADJUSTMENT

Position the smart stop ring to limit the arm's range of motion. The marked angle will be in the center of the range of motion. The stop rings must be configured in such a way that the dynamic link head does not pass behind the rear edge of the unit.



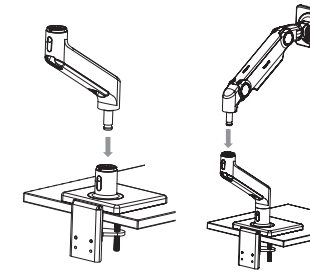
STEP 3: ATTACH ARM TO BASE STEM

Note: Before adding each link, adjust the smart stop according to step 2. If using a 3 link configuration, one of the links must be a 4" link. The link installation order may need to be swapped so as to comply with step 2.

- Insert the angled link into the mount until release button locks in place.

- Insert the dynamic link into the angled link until the release button locks in place.

- To remove links, press the release button and lift upward near the joint.



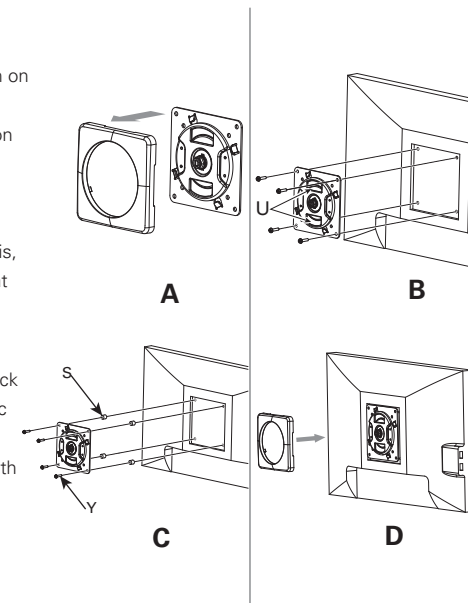
STEP 4: ATTACH VESA BRACKET TO MONITOR

- Remove the plastic top cover.

- Place VESA bracket in position on back of monitor with two cutouts (U) in vertical direction and attach using 4 screws provided. VESA bracket can accommodate 75mm or 100mm hole patterns. For this, you may also use screws that came with your monitor.

- If mounting space for 75mm VESA bracket is inset into back of monitor, place the 4 plastic spacers (S) between VESA bracket and monitor (align with hole pattern), and using the extended VESA screws (Y), attach through the spacers.

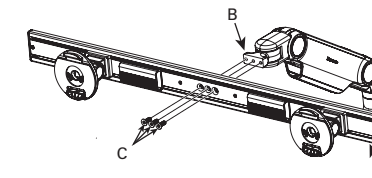
- Reinstall the plastic top cover.



STEP 5: ATTACH CROSSBAR TO ARM (DUAL-MONITOR APPLICATION ONLY)

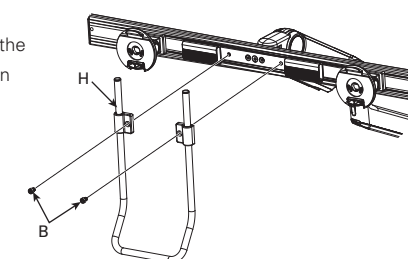
- If using Crossbar for dual-monitor application, follow Step i below. Otherwise, proceed to Step 6.

- Attach Crossbar (A) to Crossbar Link (B) using Crossbar Link Screws (C). Tighten with 4mm hex key until secure.



STEP 6: ATTACH CROSSBAR HANDLE (DUAL-MONITOR APPLICATION ONLY)

- Attach Handle (H) to Crossbar by using link screws (B). Adjust the Handle to desired height. Tighten with 4mm hex key until secure.



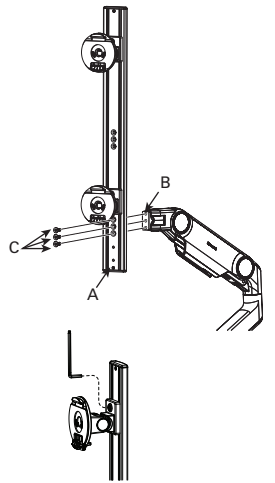
STEP 7: ATTACH VERTICAL CROSSBAR TO ARM (DUAL-MONITOR APPLICATION ONLY)

- If using Vertical Crossbar for dual-monitor application, follow Step i below. Otherwise, proceed to Step 9.

- Attach Vertical Crossbar (A) to Crossbar Link (B) using Crossbar Link Screws (C). Tighten with 4mm hex key until secure.

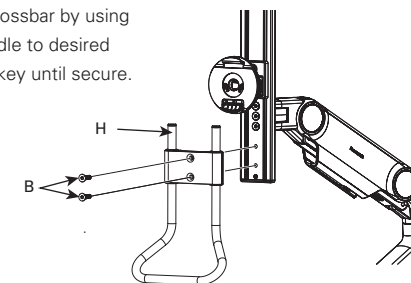
- To adjust positioning of monitor mounts, loosen the locking screw using the 4mm hex key, position the sliding mount where desired, then firmly tighten the locking screw.

NOTE: Monitor mounts may have to be re-adjusted after attaching the monitors.



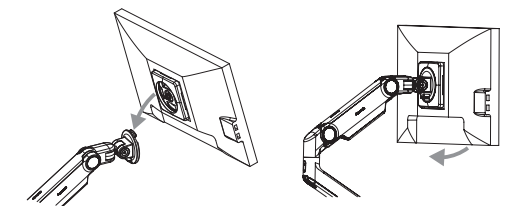
STEP 8: ATTACH VERTICAL CROSSBAR HANDLE (DUAL-MONITOR APPLICATION ONLY)

- Attach Handle (H) to Vertical Crossbar by using link screws (B). Adjust the Handle to desired height. Tighten with 4mm hex key until secure.



STEP 9: ATTACH MONITOR TO ARM

Tilt the monitor back and lower onto the arm, so that the hook fits into the corresponding hole on the VESA bracket. Then rotate the bottom of the monitor back towards the arm until the tab snaps in place. To remove, lift the release tab and pull the bottom of the monitor away from the arm, then lift free of the hook.



STEP 9B: ONLY FOR OPTIONAL OFFSET VESA ADAPTER

Attach Offset VESA Adapter to the display using the included screws.

The Offset VESA Adapter can be placed on the arm in 4 positions to place the display in the desired location.

