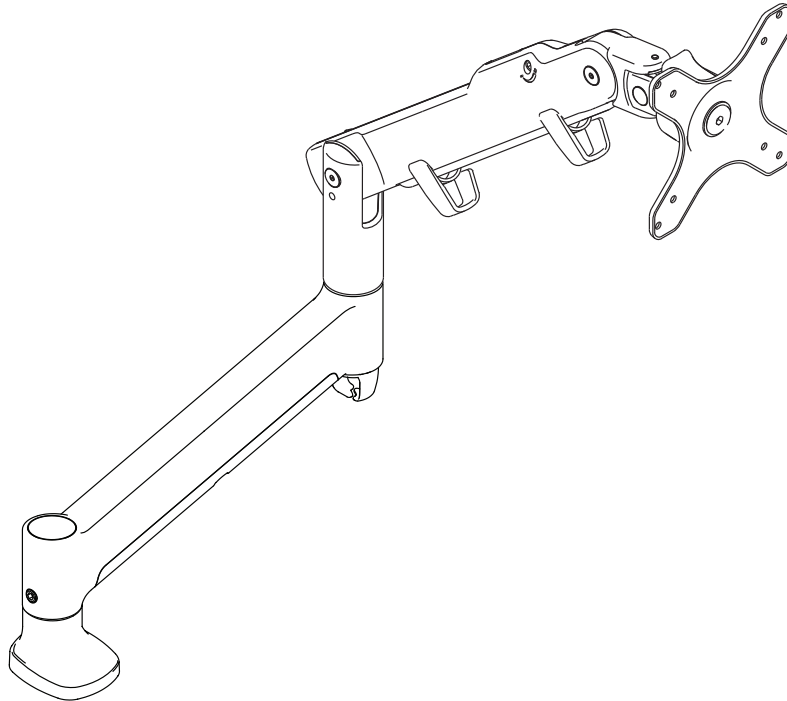


Desk Mount Dynamic Monitor Arm



FEATURES

- Adjustable counterbalance to suit a wide range of monitors.
- Compact footprint maximises available desk space
- Tension gauge to make installation of multiple arms faster.
- Integrated 180° rotation limiter to prevent interference with desk mounted panels and dividers.
- Generous cable management guides cables discreetly down the arm to the work surface.

Monitor weight range	0-9kg (0 - 20lb)*
Horizontal Adjustment	618mm (24.33")
Vertical Adjustment	315mm (12.40")
Tilt angle	+45 /- 25°
Monitor rotation	360°
VESA mounting	75x75 100x100

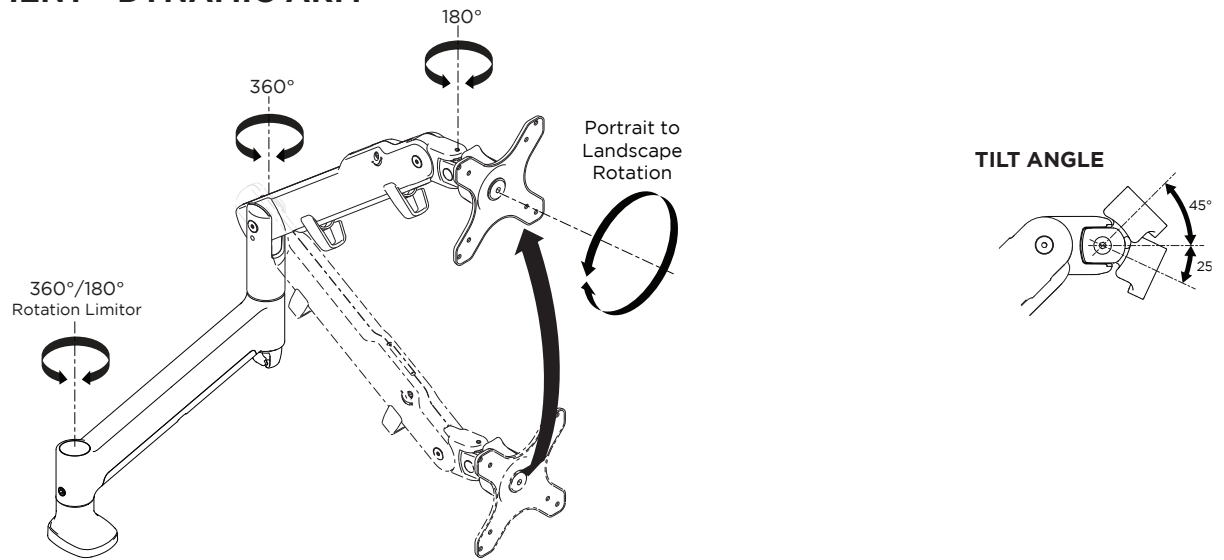
*Monitor weight should be within the weight range of all modular elements that make up the complete monitor mounting solution.

*Curved monitors, deep devices (such as all-in-one PCs) and offset VESA locations exert additional leverage that can exceed the capacity of the mount even though the monitor weight may be within the stated range. Please contact Atdec if you would like further information.

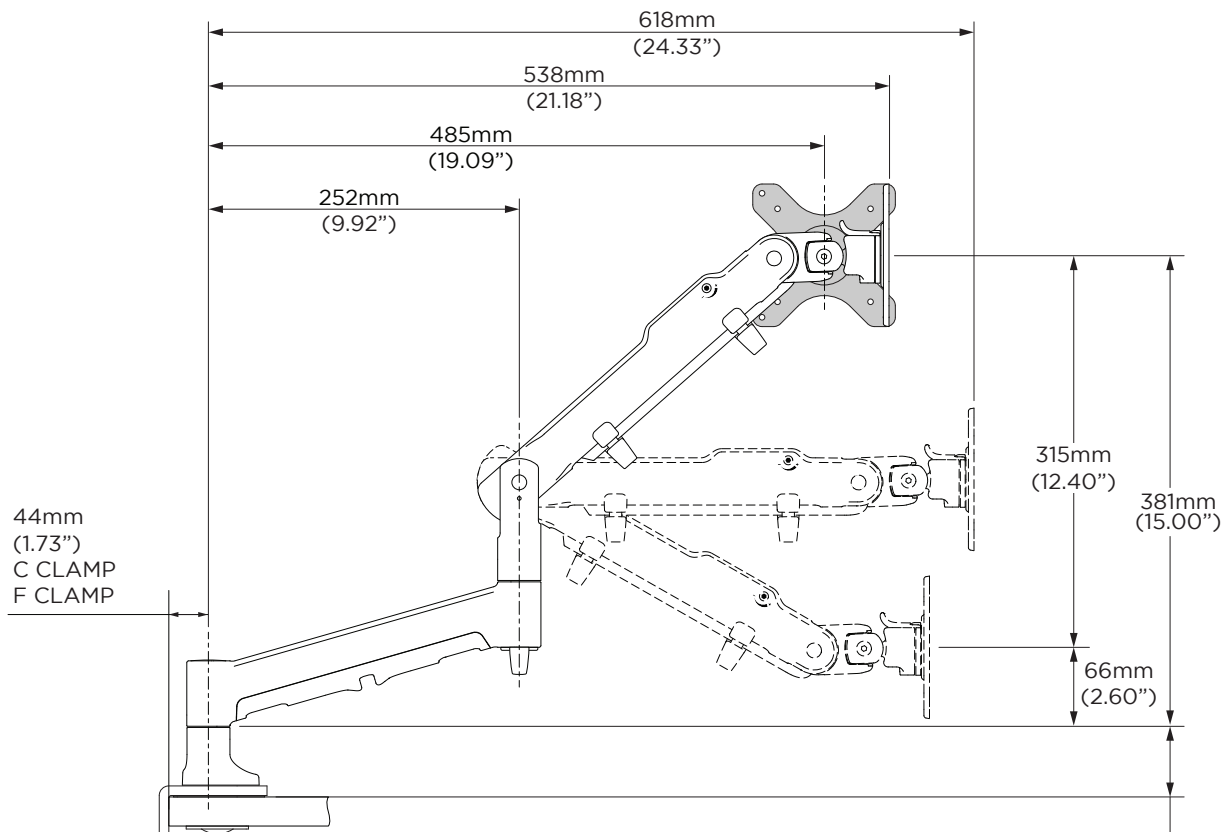
WARRANTY

10 years limited

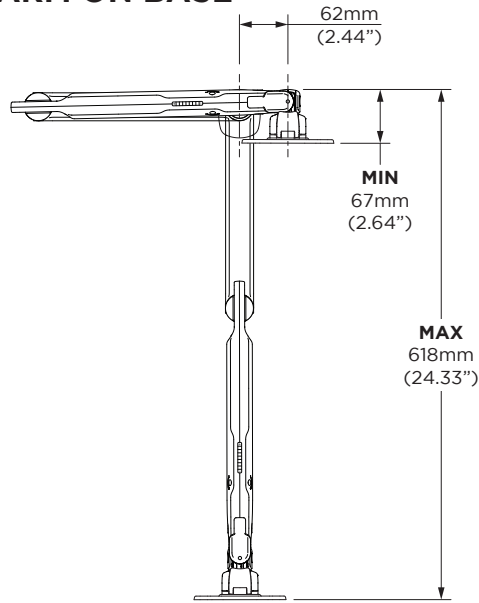
MOVEMENT - DYNAMIC ARM



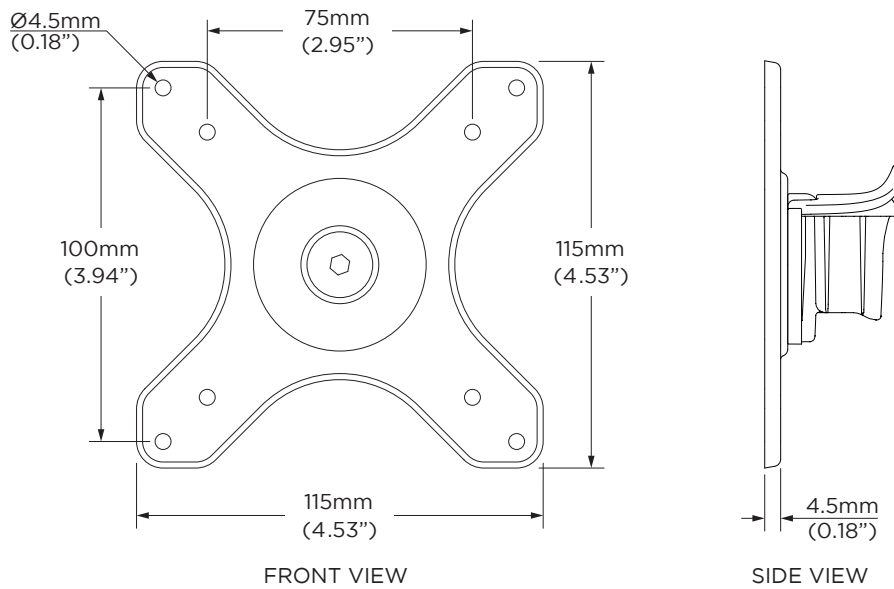
DIMENSIONS - DYNAMIC ARM ON BASE



DIMENSIONS - DYNAMIC ARM ON BASE



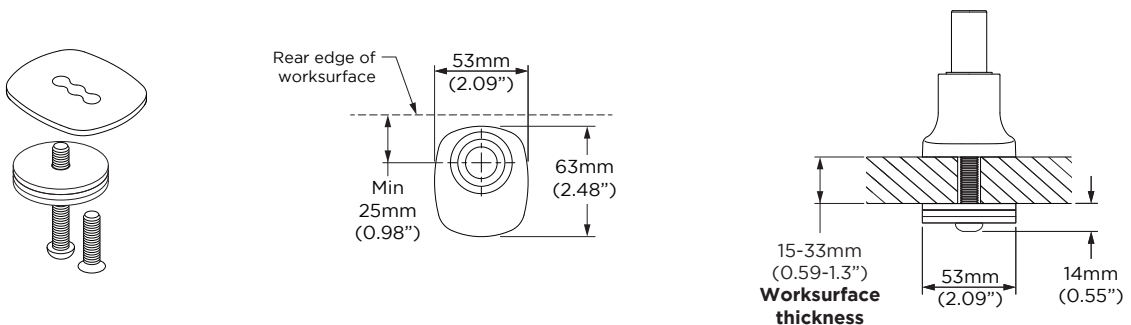
DIMENSIONS - VESA HEAD



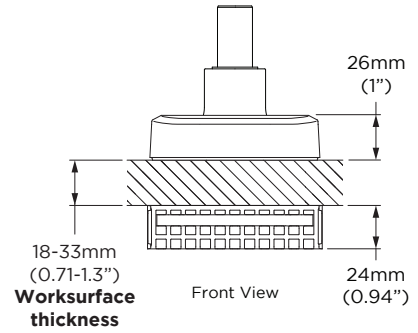
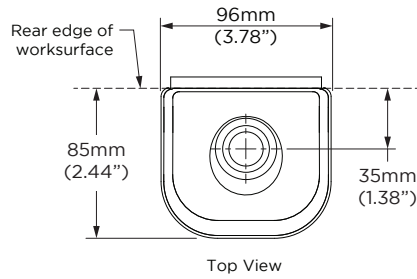
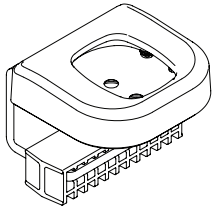
DESK FIXING OPTIONS

Below are the fixing options available for this solution. For more information and detailed specifications for these products please see the separate Technical Specifications available on the Atdec website.
 Note: Chosen desk fixing must be added to this solution code when ordering.

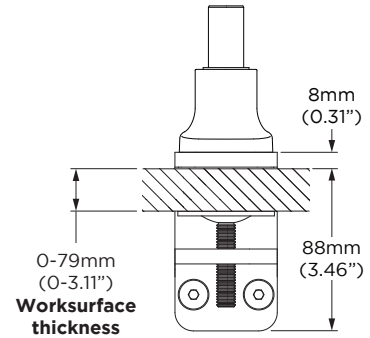
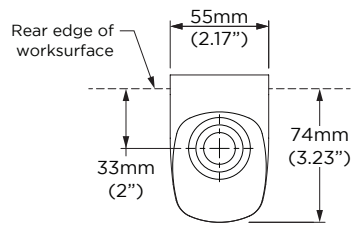
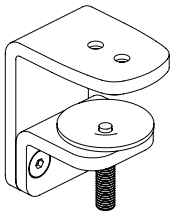
BOLT THROUGH AWM-FB



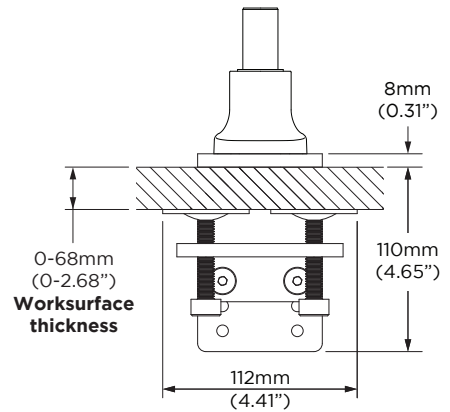
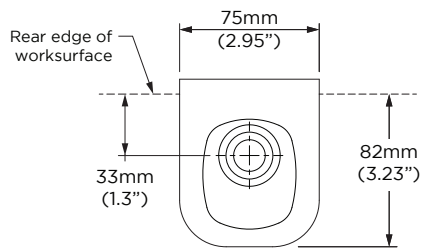
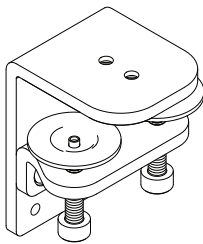
C CLAMP AWM-FC



F CLAMP AWM-FF



HEAVY DUTY F CLAMP AWM-FH



GROMMET CLAMP AC-GC

