

Multi-screen Solutions

THE WISHBONE FAMILY

Wishbone



colebrook bosson saunders



The Wishbone family meets all multi-screen requirements. An iconic design since 1999, Wishbone has won numerous product design and innovation awards the world over.

Wishbone was the product that broke the mould, the original flat screen monitor arm. Since setting this new standard back in 1999, the Wishbone range has gone from strength to strength, evolving, innovating, and adapting to the rapidly changing workplace and the challenges presented by the requirement to display large volumes of information on multiple screens.

The reliability and adaptability of Wishbone has made it a favourite among trading floors, financial institutions, control rooms and multi-media environments.

The modular nature of the range ensures that users are easily able to configure, add to, and customise Wishbone arms to suit their unique working environment.

Adjustable and easy to install, it is no surprise that Wishbone continues to be one of the best-selling monitor arms in the world.

EASY PORTRAIT TO LANDSCAPE SCREEN ORIENTATION

With minimal effort and no affect on stability, the screen can be rotated from portrait to landscape and vice versa.

QUICK RELEASE AND +/-50° TILT AS STANDARD

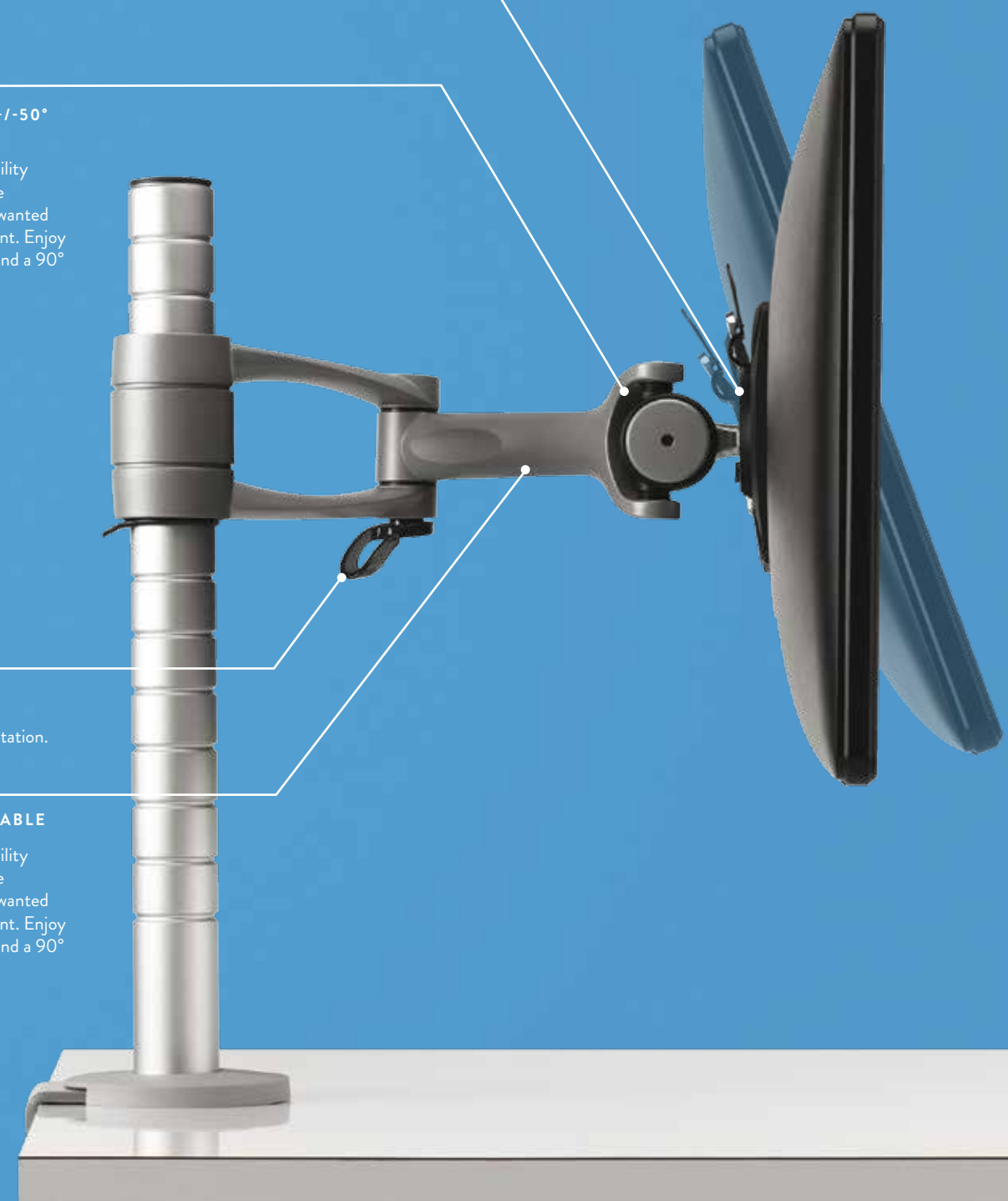
Ensure unrivalled screen stability in either portrait or landscape configuration, preventing unwanted 'bounce' and screen movement. Enjoy a 50° tilt both up and down and a 90° rotation to the left and right.

INTEGRATED CABLE MANAGEMENT SYSTEM

Creates a neat and tidy workstation.

THREE LENGTHS AVAILABLE

Ensure unrivalled screen stability in either portrait or landscape configuration, preventing unwanted 'bounce' and screen movement. Enjoy a 50° tilt both up and down and a 90° rotation to the left and right.



Colebrook Bosson Saunders (CBS) are award-winning designers and manufacturers of high quality ergonomic products for supporting technology in the workplace.

Our product range includes: monitor arms; CPU holders; laptop and tablet supports; AV/VC stands and cable management systems.

With a strong reputation for design and quality, CBS has won multiple awards including two Red Dot Design Awards, and secured ISO 9001 and ISO 14001 accreditation.



KEY FEATURES OF THE WISHBONE FAMILY

- Unmatched adaptability and versatility
- Tool-less
- Built to last with a lifetime warranty of 12 years
- Manually height adjustable
- Easy to position from portrait to landscape orientation
- Available in three lengths
- Fully articulated in both front to back and side to side positions
- Cable management
- Environmentally friendly; 99 per cent recyclable
- Integral Fine Height Adjuster ensures accurate screen positioning when aligning multiple screens (Wishbone Plus and Wishbone Dual Post Mount)
- Easy to install and retrofitable
- Excellent ergonomics
- Designed to adapt to each user's personal preferences ensuring good ergonomic posture

Meet the Wishbone family.



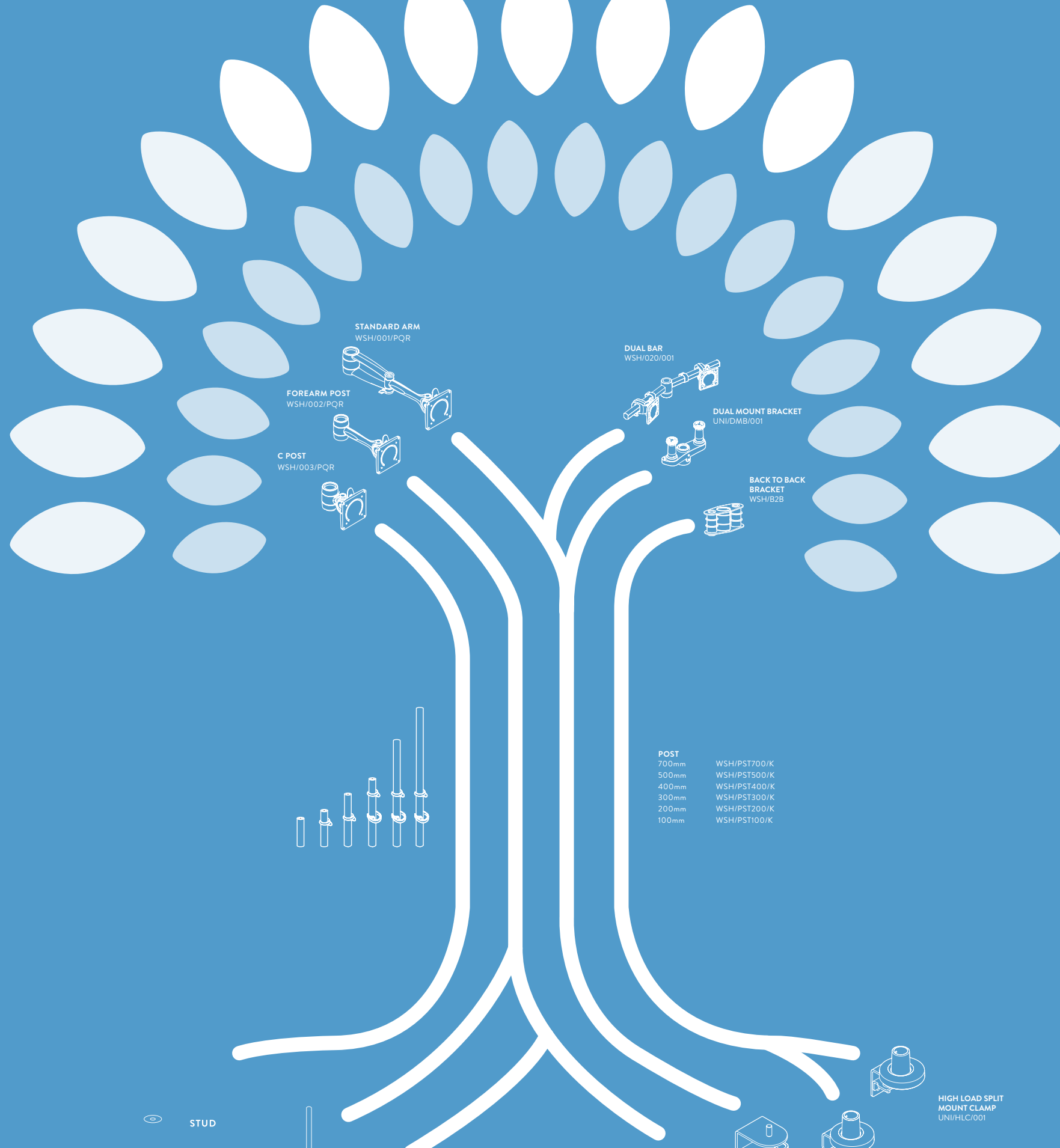
Wishbone

Available in three lengths, Wishbone provides a flexible range of options. It can be installed at a range of heights and configurations to create the ideal set-up according to specification.



Wishbone Plus

Can support monitors up to a weight range of 24kg ensuring it can comfortably hold the heaviest displays on the commercial market.



STANDARD ARM
WSH/001/PQR

FOREARM POST
WSH/002/PQR

C POST
WSH/003/PQR

DUAL BAR
WSH/020/001

DUAL MOUNT BRACKET
UNI/DMB/001

BACK TO BACK
BRACKET
WSH/B2B

POST
700mm WSH/PST700/K
500mm WSH/PST500/K
400mm WSH/PST400/K
300mm WSH/PST300/K
200mm WSH/PST200/K
100mm WSH/PST100/K

STUD

CAST GROMMET
UNI/CSG100/K

DESK BAR

NUT AND WASHER

SCREEN MOUNT CLAMP
UNI/SMC

TOP MOUNT CLAMP
UNI/TAC

LARGE CLAMP
UNI/LCLM38

HIGH LOAD TOP
MOUNT CLAMP
UNI/HLC/002

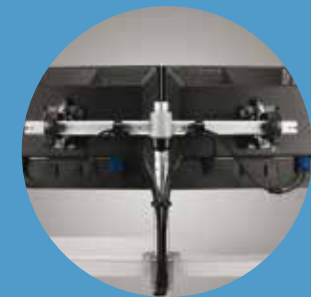
HIGH LOAD SPLIT
MOUNT CLAMP
UNI/HLC/001



Wishbone Dual Mount Bracket

For a flexible dual screen solution that enables the user to adjust the workstation according to work dependency and application type.

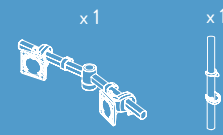
One display can be moved into a more prominent position for primary dependency with the other screen supporting, or both screens can display information equally.



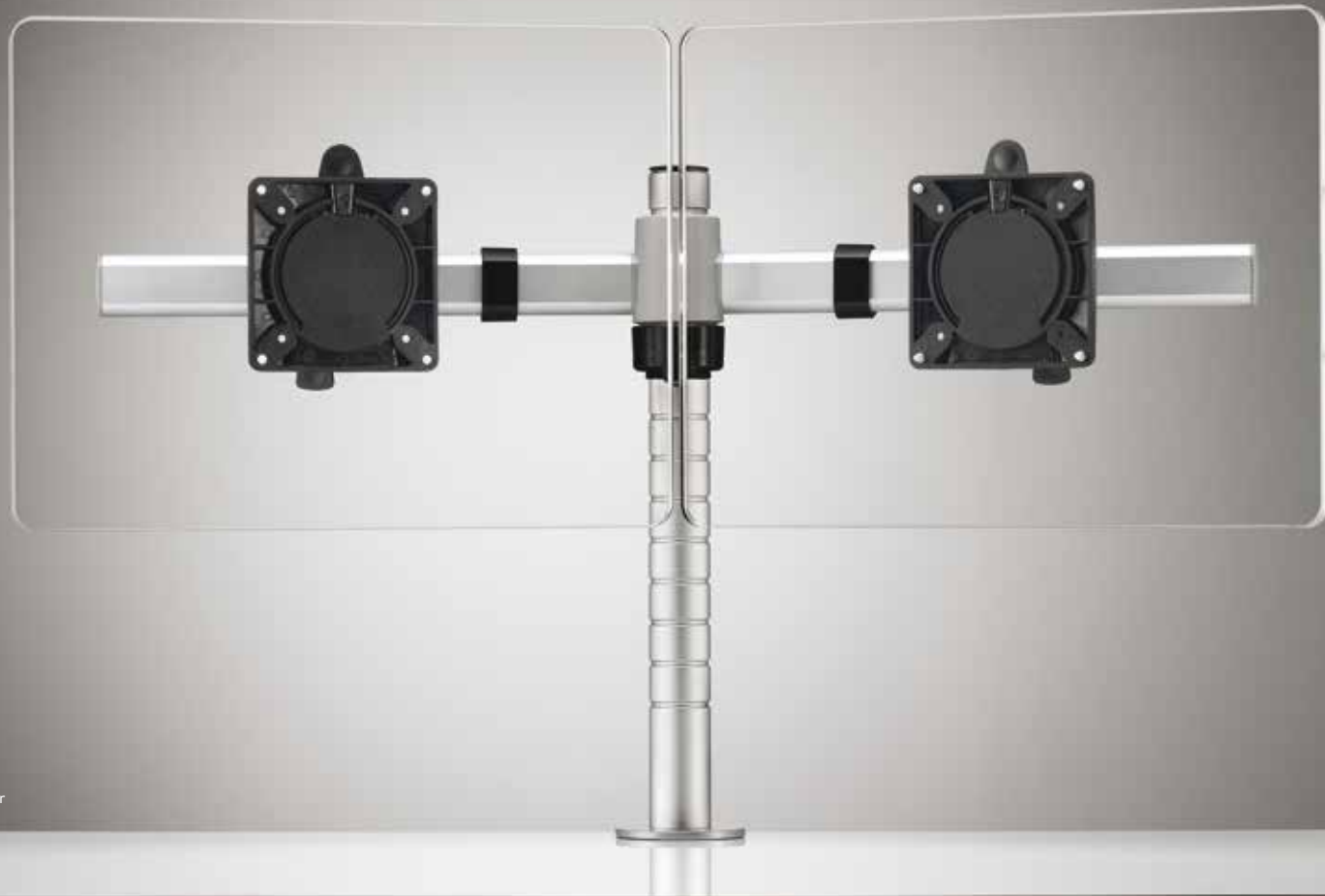
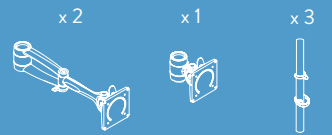
Wishbone Dual Bar

Perfect for holding two screens of equal size and dependency in position.

DUAL SCREEN SETUP



THREE SCREEN SETUP

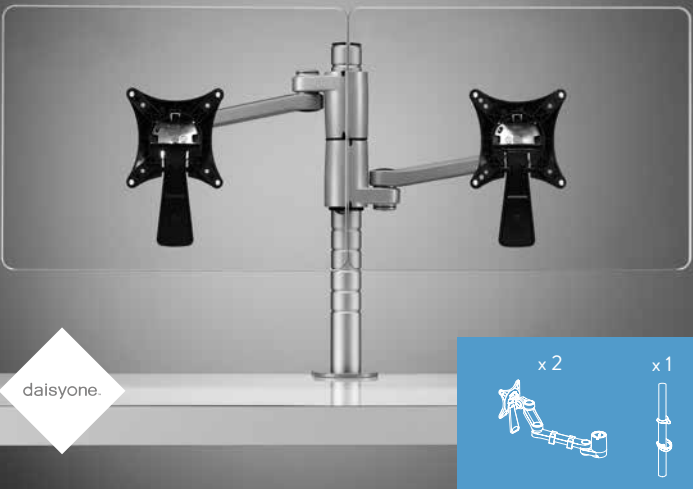


Dual Bar

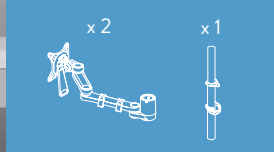


ICONIC DESIGN

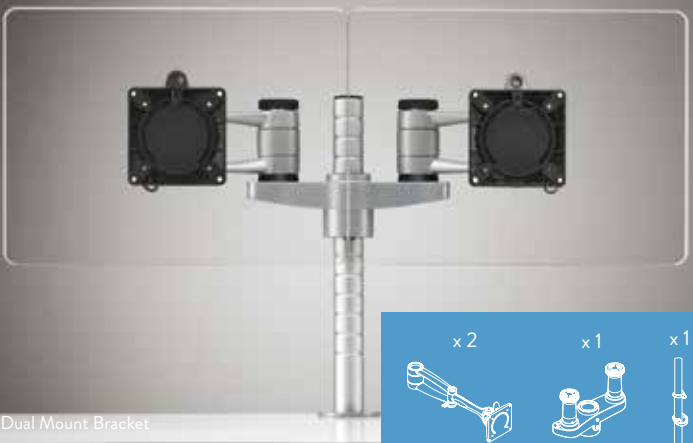
CBS set the standard for multi-screen arms in the 1990s when it developed the world's first flat screen monitor arm – Wishbone.



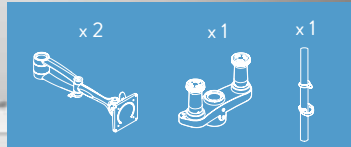
daisyone.



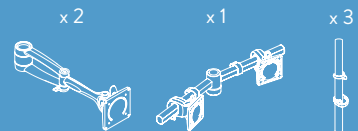
Back to Back Bracket



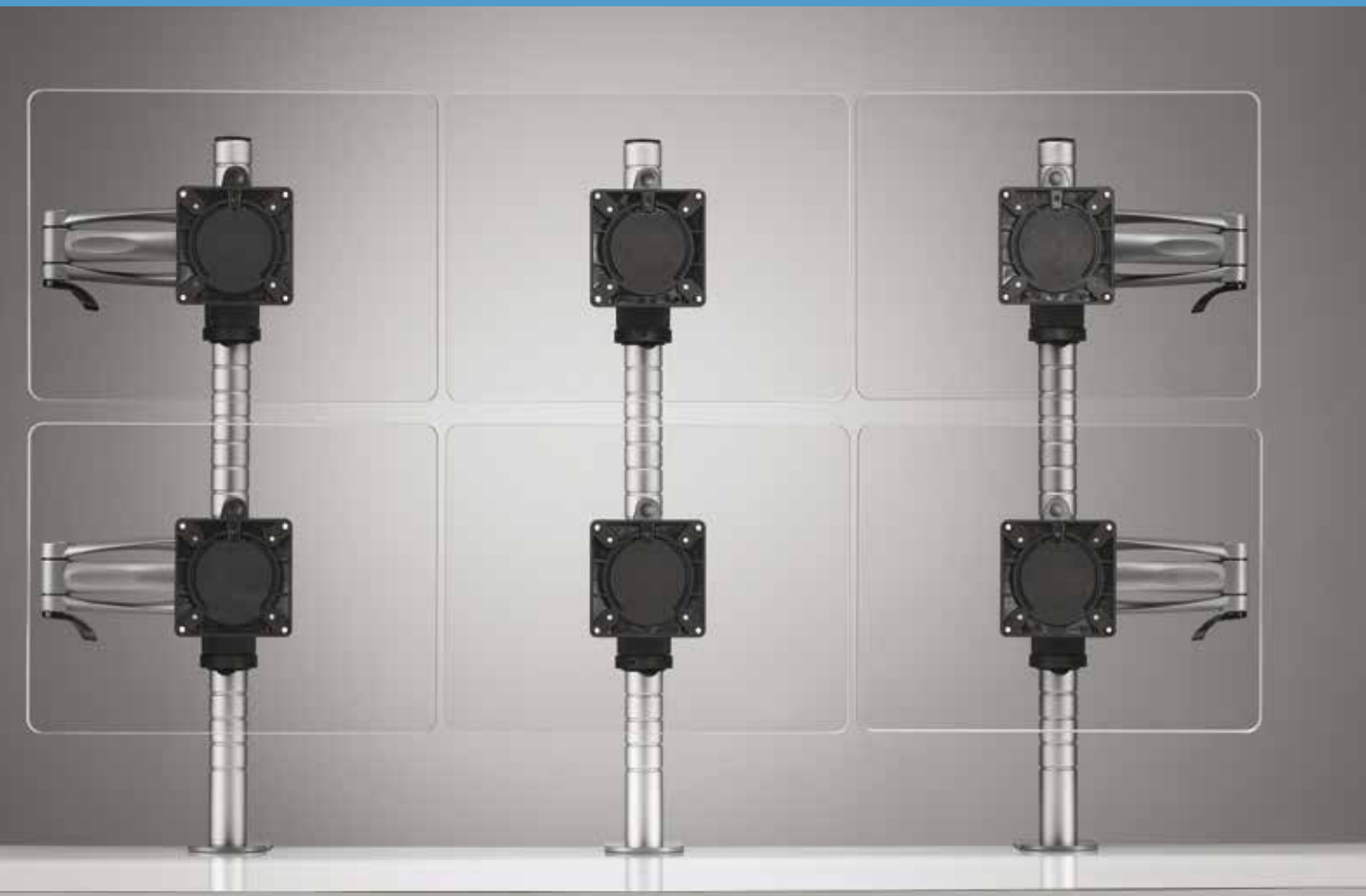
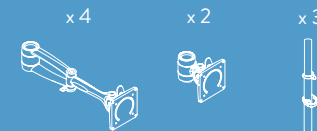
Dual Mount Bracket



FOUR SCREEN SETUP

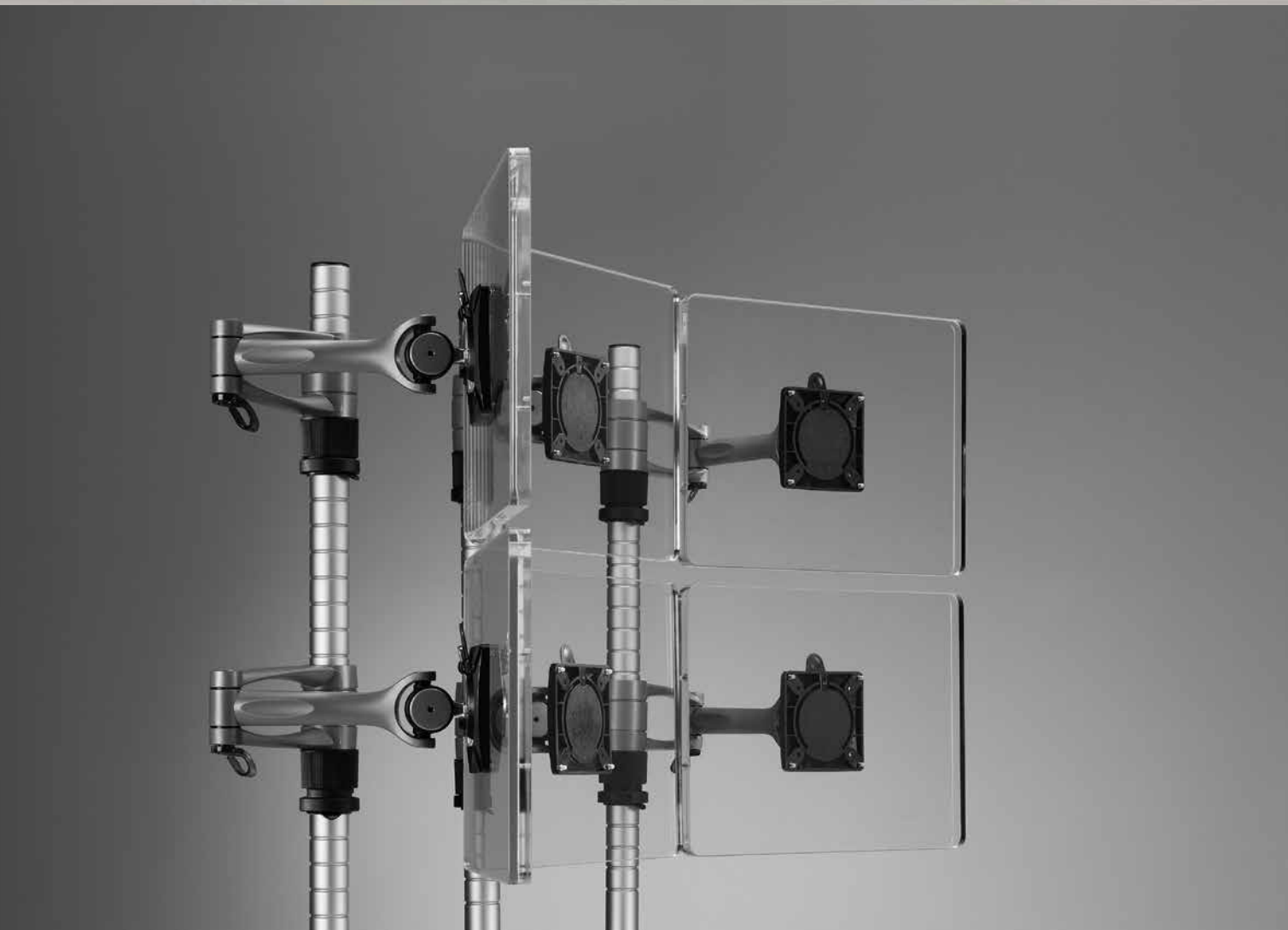


SIX SCREEN SETUP

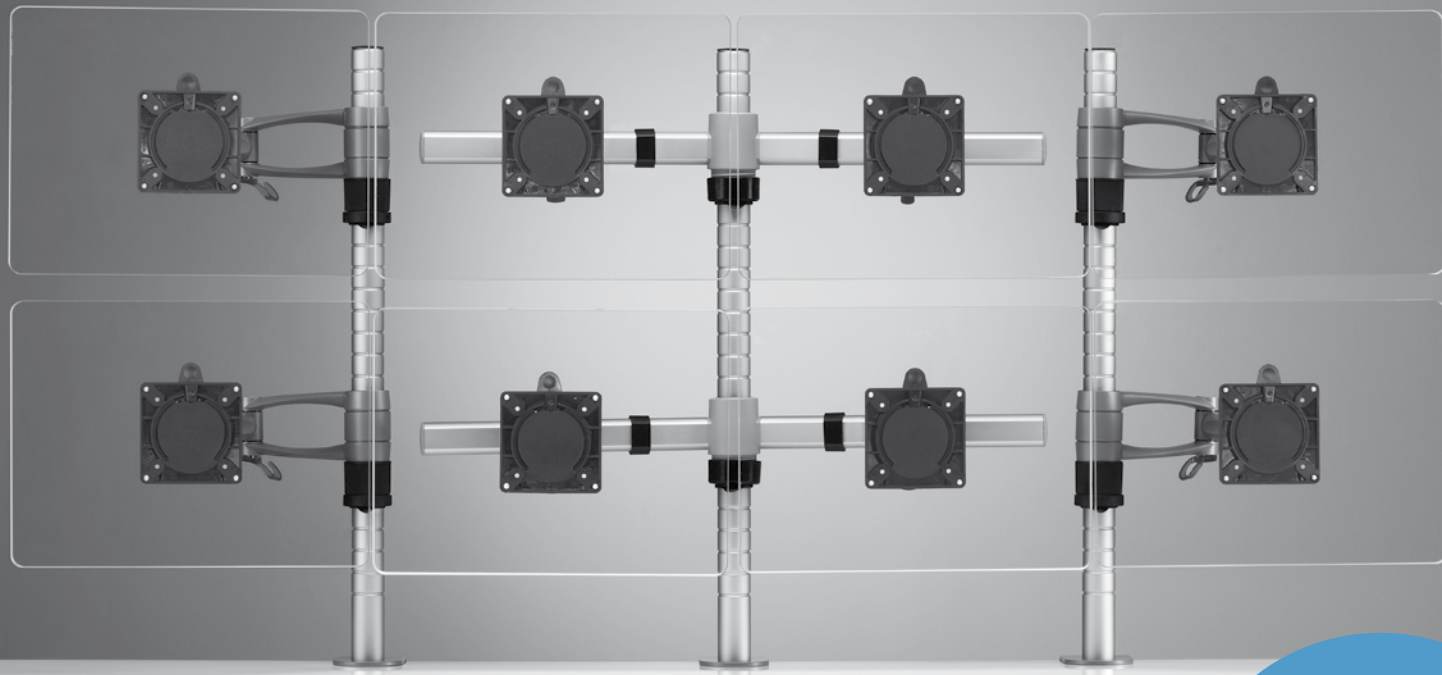
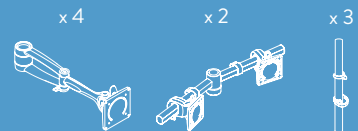


UNMATCHED ADAPTABILITY

A comprehensive solution for any multi-screen setup, it can be fixed to any surface and can be configured to fit the needs of the individual and their working environment.



EIGHT SCREEN SETUP



BUILT TO LAST

With a lifetime warranty (12 years), Wishbone provides a sound future investment for your workplace setup.



1. VTB Bank
2. Home Working - Laurie Yu
3. VTB Bank



RECENT CLIENTS INCLUDE:

2012 Olympic Headquarters
Bank of England
BBC
BMW
BP
British Airways
Deloitte
Deutsche Bank
Diageo
Financial Times
Glaxo Smithkline
Goldman Sachs
HSBC

ING Bank
JP Morgan
KPMG
London Heathrow Airport
Nomura
Reuters
Royal Bank of Scotland
Societe Generale
UBS
Unilever
Vodafone
Wembley Stadium