

RS1G

RS1G - Built to the same exacting standards as our top flight marching snare drum, the RS1G features a Levitone™ snare mechanism on the lower head only for a more traditional approach to parade drumming.

- RS1G - 14" x 12" Single Lower Snare
- 8ply 5mm Grade A Scandinavian Birch & Old English Oak Shell
- 45° Bearing Edges
- Remo USA Heads
- Aluminium Hoops
- Lower Levitone™ Snare Mechanism
- Polished Stainless Steel Ball Feet
- Mk2 Palladium Strainer
- Palladium Lugs
- Magnetik drum key
- Available in Gloss Black, Gloss White and Military Red and Blue Livery (illustrated)



RS1C

RS1C - The RS1C is a smaller shell drum with a depth of 10" and featuring a single Levitone™ snare mechanism on the upper head. This unique snare drum offers an alternative to a conventional twin snare system and is ideally suited to younger players who want to achieve a traditional twin-snare sound.

- RS1C - 14" x 10" Single Upper Snare
- 8ply 5mm Grade A Scandinavian Birch & Old English Oak Shell
- 45° Bearing Edges
- Remo USA Heads
- Triple Flange Steel Hoops
- Upper Levitone™ Snare Mechanism
- DragonTooth Lever
- Palladium Lugs
- Magnetik drum key
- Polished Stainless Steel Ball Feet (optional extra)
- Available in Gloss Black, Gloss White and Military Red and Blue Livery (illustrated)



RS1Y

RS1Y - The RS1Y is a 14" x 10" snare drum featuring a Mk2 Palladium snare mechanism on the lower head only. The compact dimensions and lightweight nature of this marching drum makes it ideal for younger players.

- RS1Y - 14" x 10" Single Lower Snare
- 8ply 5mm Grade A Scandinavian Birch & Old English Oak Shell
- 45° Bearing Edges
- Remo USA Heads
- Triple Flange Steel Hoops
- Mk2 Palladium Strainer
- Palladium Lugs
- Magnetik drum key
- Polished Stainless Steel Ball Feet (optional extra)
- Available in Gloss Black, Gloss White and Military Red and Blue Livery (illustrated)



RS1T 1612

TENOR DRUM

RS1T - a 16" x 12" Tenor drum designed to sonically and visually complement the Regimental Series snare and bass drums.

- RS1T - 1612 - 16" x 12"
- 8ply 5mm Grade A Scandinavian Birch & Old English Oak Shell
- 45° Bearing Edges
- Remo USA Heads
- Triple Flange Steel Hoops
- Palladium Lugs
- Magnetik drum key
- Polished Stainless Steel Ball Feet (optional extra)
- Available in Gloss Black, Gloss White and Military Red and Blue Livery (illustrated)



RS1B 2612

BASS DRUM



- RS1B - 2612 - 26" x 12"
- 8ply 5mm Grade A Scandinavian Birch & Old English Oak Shell
- 45° Bearing Edges
- Remo USA Heads Powermax Ultra White
- Wood Hoops
- Palladium Lugs
- Magnetik drum key
- Polished Stainless Steel Ball Feet
- Eye-bolt (select 1 or 2 eye option when ordering)
- Available in Gloss Black, Gloss White and Military Red and Blue Livery (illustrated)

RS1B 2812

BASS DRUM



- RS1B - 2812 - 28" x 12"
- 8ply 5mm Grade A Scandinavian Birch & Old English Oak Shell
- 45° Bearing Edges
- Remo USA Heads Powermax Ultra White
- Wood Hoops
- Palladium Lugs
- Magnetik drum key
- Polished Stainless Steel Ball Feet
- Eye-bolt (select 1 or 2 eye option when ordering)
- Available in Gloss Black, Gloss White and Military Red and Blue Livery (illustrated)

RS1B 2814

BASS DRUM



- RS1B - 2814 - 28" x 14"
- 8ply 5mm Grade A Scandinavian Birch & Old English Oak Shell
- 45° Bearing Edges
- Remo USA Heads Powermax Ultra White
- Wood Hoops
- Palladium Lugs
- Magnetik drum key
- Polished Stainless Steel Ball Feet
- Eye-bolt (select 1 or 2 eye option when ordering)
- Available in Gloss Black, Gloss White and Military Red and Blue Livery (illustrated)

MARCHING DIVISION

Regimental Series

We are extremely proud of our Regimental Series range of marching drums. From the very beginning of the British Drum Co. it has been our goal to develop a range of military drums that recognises and respects the heritage of British drum-making whilst pushing the boundaries with outstanding innovation.



Stu Warmington
Marching Division Manager

At the heart of the Regimental Series is the combined vision of master drum-builder Keith Keough, Marching Division Manager Stu Warmington and Engineering Design Manager, Alan Kitching. Keith's reputation as one of the world's foremost craftsmen in the world of drum-making is assured, whilst Stu is universally recognised as a major authority on all aspects of military and marching drumming. Alan Kitching is respected within the drumming community for his expertise and innovation as an outstanding design engineer. Alan has been instrumental in the design and development of the hardware innovations in the Regimental Series. Together, their expertise represents the pinnacle of marching drum knowledge and influence within the sector.

The marching drumming community has witnessed the development of the British Drum Co., building a respect that has attracted such world-class performers as 19 times World Drum Corps Champion, Jim Kilpatrick, who celebrates his role with us as International Marching Specialist.

We continue to attract global players and performers who recognise the high quality of the drums we make and embrace our values of supporting the marching world at the very highest levels. We hold true to our mission to create marching drums that look amazing, sound amazing and make you feel amazing!

Cold-Press Moulding

Cold-press moulding is the key to the British Drum Co. signature sound. As the name suggests, it is a procedure that eliminates the use of heat in the shell building process.

Worth the wait

Drawing on our rich experience in woodworking and drum shell manufacture, we believe it is the best way to handcraft our drums. Cold-press moulding maintains the optimum sonic qualities of the wood which would otherwise be compromised by the addition of a heated process. It does mean our drums take a little longer than most to create, but we believe this gentle, crafted approach is rewarded by a far superior tone. The resulting sound is well worth the wait.

The Perfect Fit

Every drum is hand built by skilled craftsmen. The shells are precision-cut to achieve the desired thickness. When our craftsmen hear the 'click' of each ply accurately fitting into place, we know we have achieved the perfect fit. Cold-press moulding is the heart of the British Drum Co. signature sound.

British Drum Co. drums are regarded as the finest shells by Rhythm Magazine.

"The shells are flawless resulting in a versatile professional sound."

British Drum Co.

Unit 2, Hagh Avenue, Whitehill Industrial Estate, Stockport SK4 1NU

Sales: +44 (0) 161 804 4723
Email: marching@britishdrumco.com

www.britishdrumco.com

LOOK AMAZING!

SOUND AMAZING!

FEEL AMAZING!



REGIMENTAL SERIES



LOOK AMAZING! SOUND AMAZING! FEEL AMAZING!

www.britishdrumco.com



INNOVATION FORGED FROM TRADITION

The **Regimental Series** is the brand new range of marching drums from the British Drum Co.

Handcrafted in the UK to British Drum Co.'s highest standards, the **Regimental Series** represents a groundbreaking moment in the evolution of marching drums. The range is comprised of four snare drums, three bass drums and a tenor drum.

What makes the **Regimental Series** stand apart from the competition is the level of innovation incorporated into the design of every single drum.

Each drum is handbuilt with an 8ply 5mm grade A Scandinavian Birch shell and finished with an interior veneer of Old English Oak and a 45° bearing edge. Our art-deco inspired Palladium hardware adorns every drum to deliver stylish and reliable functionality.

Every drum in the **Regimental Series** is supplied with a British Drum Co. **Magnetik** marching drum key as standard.



LOOK **AMAZING!**

SOUND **AMAZING!**

FEEL **AMAZING!**



RS1

RS1 - British Drum Co.'s flagship marching snare drum. Featuring our unique Levitone™ parallel action snare mechanism on both heads, the **RS1** is designed to give you absolute control of snare response and sensitivity for a superior drumming experience.



- RS1 - 14" x 12" Twin Snare
- 8ply 5mm Grade A Scandinavian Birch & Old English Oak Shell
- 45° Bearing Edges
- Remo USA Heads
- Aluminium Hoops
- Levitone™ Snare Mechanism Top and Bottom
- Polished Stainless Steel Ball Feet
- DragonTooth Lever
- Mk2 Palladium Strainer
- Palladium Lugs
- Magnetik drum key
- Available in Gloss Black, Gloss White and Military Red and Blue Livery (illustrated)



POWDER COATED ALUMINIUM HOOPS

POLISHED STAINLESS STEEL BALL FEET



DRAGONTOTH LEVER



MK2 PALLADIUM STRAINER



PALLADIUM LUGS



MAGNETIK DRUM KEY
included as standard with every Regimental Series drum

SERIES

REGIMENTAL



LOOK **AMAZING!**

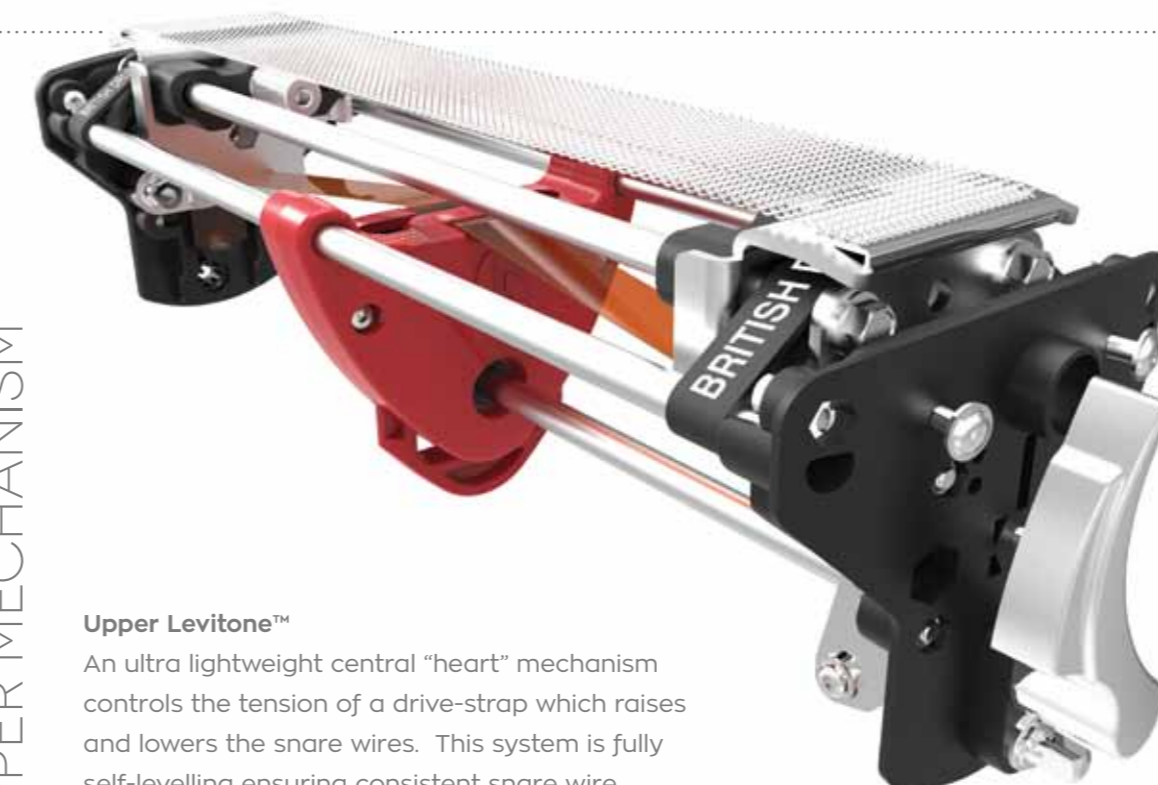
SOUND **AMAZING!**

FEEL **AMAZING!**

BRITISH DRUM CO. LEVITONE™

MARCHING DRUM TECHNOLOGY WITH INNOVATION AT ITS HEART

LEVITONE™ UPPER MECHANISM



Upper Levitone™
An ultra lightweight central "heart" mechanism controls the tension of a drive-strap which raises and lowers the snare wires. This system is fully self-levelling ensuring consistent snare wire contact across the drum head.

LEVITONE™ UPPER SNARE

The **Levitone™** upper parallel action mechanism offers infinite adjustment options so you can achieve the perfect balance of response, sensitivity and control.

- Snare height and tension adjustment is regulated by the Levitone™ low maintenance drive-strap for a simplistic, one-time set-up.
- DragonTooth snare lever is ergonomically designed to be perfectly positioned for control during performance.



LEVITONE™ LOWER MECHANISM



Lower Levitone™
With the snare thrown off, suspension bands pull the snare wires cleanly off the drum head in a smooth parallel action ensuring no contact with head regardless of the drum's orientation.

LEVITONE™ LOWER SNARE

The **Levitone™** lower parallel action mechanism maintains equal tension across the head for a crisp, tight response to even the most sensitive playing.

- Once set, the Levitone™ system maintains a consistent and sustained tension so you can focus on your performance.
- The Levitone™ system is strong enough to accommodate all types of playing but its lightweight design makes drumming a pleasure.

