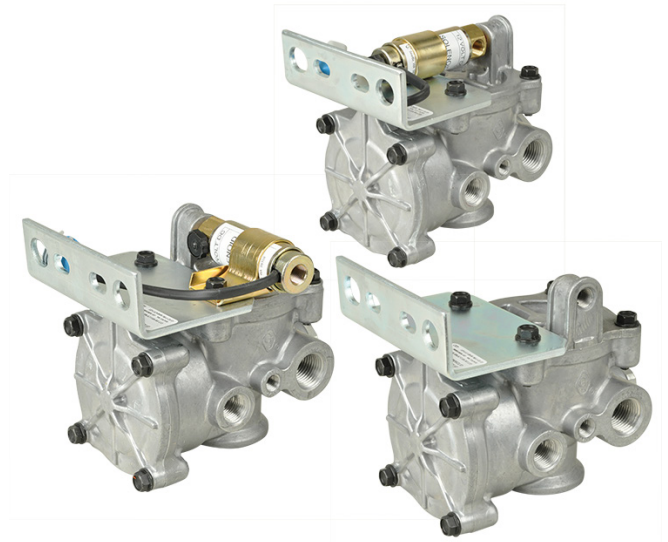


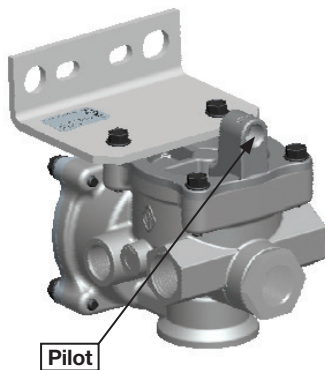
Lift Axle Control Module - LACM Air Line Connections Guide



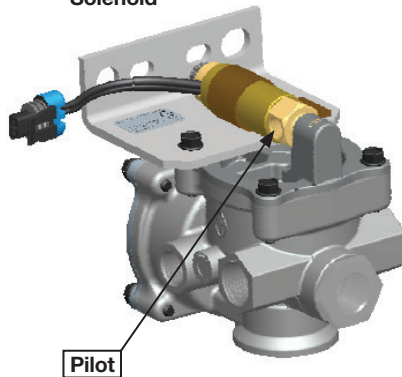
A. Overview

The IMI Norgren Lift Axle Control Module controls airflow to and from the Lift and Load (Ride) bags of an auxiliary axle. There are three main valve types:

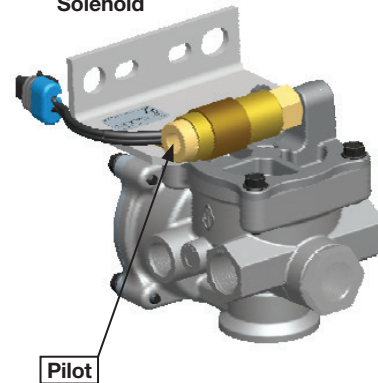
Air Only



Normally Closed Solenoid

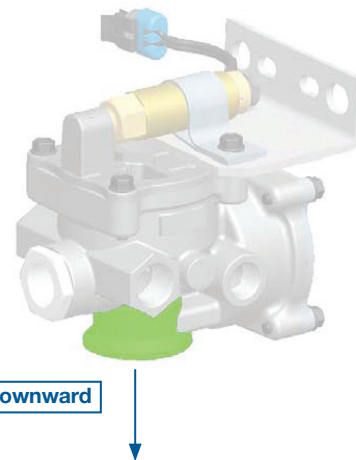


Normally Open Solenoid



B. Mounting

1. Mount the LACM to an adequate flat surface using 1/2" (M12) or 5/16" (M8) fasteners.
2. Mount the LACM **ONLY** with the exhaust vent facing downward. Failure to do so will prevent contaminants from exiting the valve and may cause valve failure.



Mount ONLY with exhaust facing downward

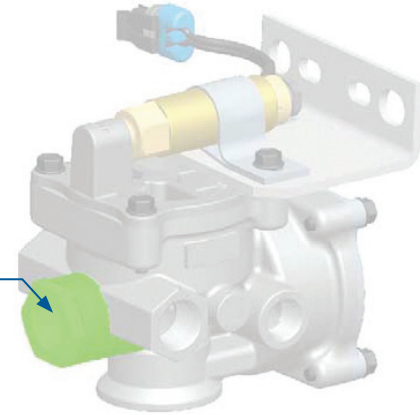
C. Air Connections

All LACM versions have 4 main (plus an optional gauge port) air line connection locations.

1. MAIN SUPPLY

The Main Supply port is the connection to the Supply air reservoir (downstream of the pressure protection valve). IMI Norgren recommends use of a 1/2" Supply line to ensure adequate airflow.

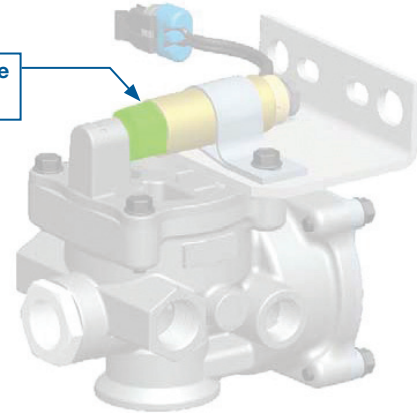
Connect the Main supply to the axle's air reservoir, downstream of the PPV.



2. PILOT PORT (Control port)

The Pilot port is the connection to the auxiliary axle regulated pilot. The pilot port is connected downstream of the auxiliary axle regulator. IMI Norgren recommends use of a 1/4" Pilot line. **The Pilot is connected to the inlet per Section A above.** (Normally Closed Solenoid shown)

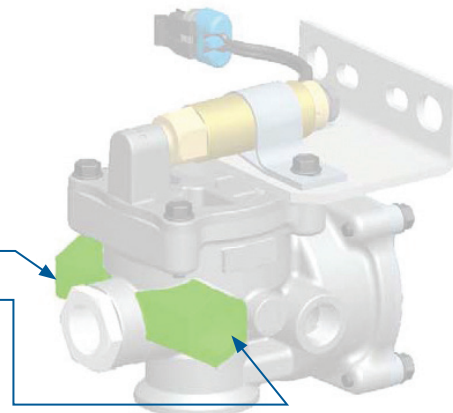
Connect the pilot port to the axle's Load Bag Regulator.



3. LOAD DELIVERY PORTS (2 per valve)

The Load delivery ports are the connection from the LACM to the Load (Ride) Bags. One port is connected to each Load bag. IMI Norgren recommends use of 1/2" Load delivery lines to ensure adequate airflow.

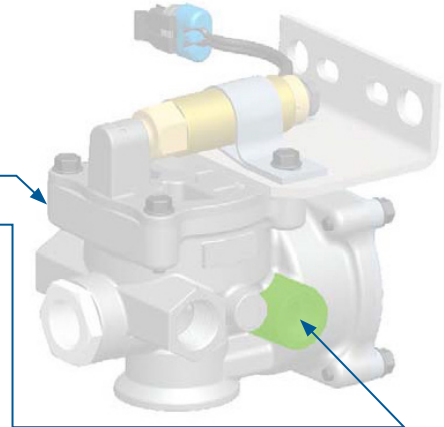
Connect the Load Delivery ports to the axle's Load bags.



4. LIFT DELIVERY PORTS (2 per valve)

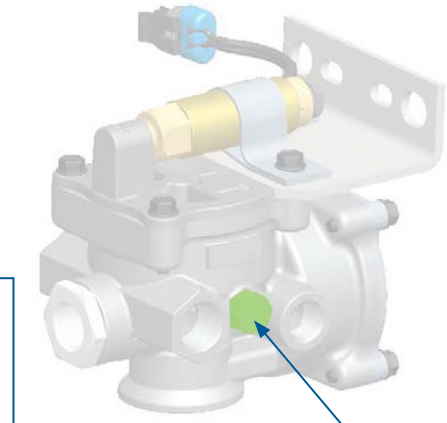
The Lift delivery ports are the connection from the LACM to the Lift bags. One port is connected to each Lift bag. IMI Norgren recommends use of 3/8" Lift delivery lines to ensure adequate airflow.

Connect the Lift delivery ports to the axle's Lift bags.


5. (OPTIONAL) GAUGE PORT

The optional Gauge port is common with the Load delivery ports. This port should be connected to the auxiliary axle's Load bag air pressure gauge.

Connect the Gauge port to the Load bag pressure gauge.


D. Electrical Connection

Solenoid equipped valves are either polarity sensitive or non-polarity sensitive. This characteristic can be confirmed by the colors of the wires:

1. Polarity sensitive:


Black - Common

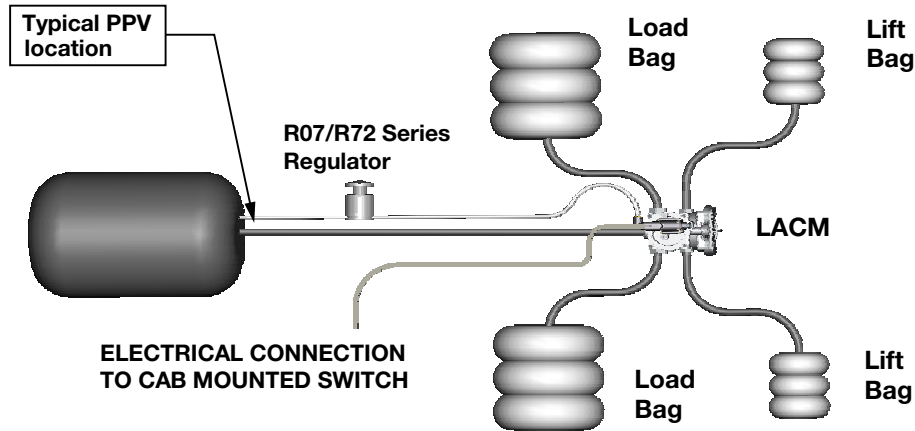
Red - Positive

2. Non-Polarity sensitive:


Both White

E. Typical Installation

Solenoid LACM, without gauge port
Pressure Protection Valve (PPV) not shown



F. Pressure Protection Valve Replacement

If kit is equipped with a replacement Pressure Protection Valve (PPV), replace the PPV supplying the auxiliary axle. The main supply line (1/2") and pilot (1/4") are connected to the PPV.

Installation of the replacement PPV will ensure adequate airflow to the LACM.

Replace the auxiliary axle PPV with the supplied unit.



Warning

Improper selection, misuse, age or malfunction of components used in systems can cause failure in various modes. The system designer is warned to consider the failure modes of all component parts and to provide adequate safeguards to prevent personal injury or damage to equipment or property in the event of such failure modes. System designers and end users are cautioned to consult instruction sheets and specifications available from the factory. The system designer/end user is responsible for verifying that all requirements for the application are met.

Warranty

The products described herein are warranted subject to seller's Standard Terms and Condition of Sale, available at seller's website.