

Encore ESP

Barista-quality coffee is just a few clicks away!



TABLE OF CONTENTS

SAFETY INFORMATION	3
PARTS IDENTIFICATION	4
OPERATION	5
CARE & CLEANING	7
CONE BURR ASSEMBLY	9
WARRANTY & SERVICE	12

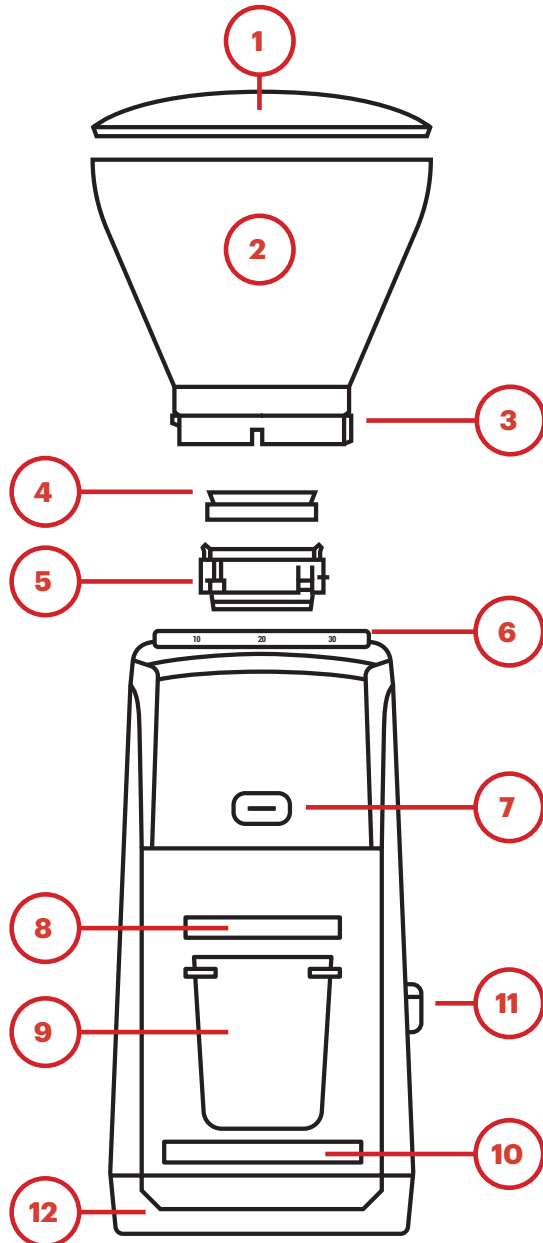
SAFETY INFORMATION

Please read the information below very carefully. It contains important safety information for this appliance. Please keep these instructions for future reference.

- ! Use only with AC current and the correct voltage. See the label on the base of the grinder to determine the correct voltage.
- ! Only clean the grinder housing with a dry or slightly damp cloth. Do not immerse the grinder, plug or cord in water or any other liquid.
- ! Baratza will not accept any liability for damage, injury, or warranty if the grinder is used other than for its intended purpose (i.e. grinding roasted whole coffee beans) or is improperly operated or repaired.
- ! Keep the appliance and its cord out of reach of children aged less than 8 years.
- ! Do not operate the grinder with a damaged cord or plug. If the supply cord is damaged, it must be replaced by the manufacturer, its service agent or similarly qualified persons in order to avoid a hazard.
- ! Do not leave your grinder unattended while turned ON.
- ! This appliance can be used by children aged from 8 years and above and persons with reduced physical, sensory or mental capabilities or lack of experience and knowledge if they have been given supervision or instruction concerning use of the appliance in a safe way and understand the hazards involved.
- ! Cleaning and user maintenance shall not be made by children without supervision.
- ! Always unplug the grinder from the electrical supply before assembling, disassembling or cleaning. To unplug, grasp plug and remove from the outlet. Never pull on the cord.

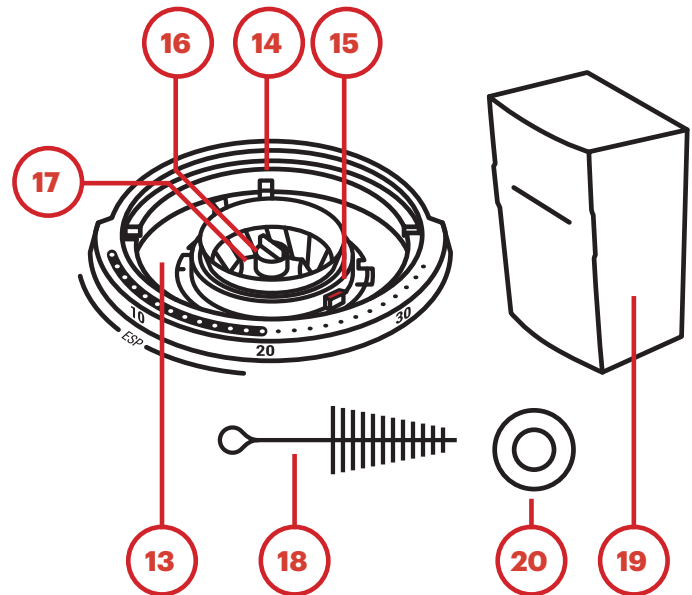
CAUTION: ALWAYS unplug the electrical supply cord prior to cleaning the grinder.

PARTS IDENTIFICATION



- 1. Hopper Lid
- 2. Bean Hopper
- 3. Grind Setting Indicator
- 4. Hopper Gasket
- 5. Removable Ring Burr
- 6. Grind Settings
- 7. Pulse Button
- 8. 58mm Adapter Ring*
- 9. Dosing Cup*
- 10. Dosing Cup Base*
- 11. On/Off Knob*
- 12. Weighted Base
- 13. Grind Adjustment Ring
- 14. Grind Adjustment Tab
- 15. Burr-Lifting Tabs
- 16. Quick-Release Knob
- 17. Center Cone Burr
- 18. Brush*
- 19. Grounds Bin with Max Fill Line
- 20. Shims

**Included in grounds bin*



OPERATION

INITIAL SETUP

1. Remove the contents from the packaging and hand-wash the hopper lid (1), bean hopper (2), dosing cup (9), and grounds bin (19) in warm, soapy water. Let air dry. **Do not wash the ring burr (5) in water or it will rust.**
2. To install the hopper, align the silver grind setting indicator (3) with the triangle near grind setting 40 (6). Press the hopper down and twist clockwise into place. The grinder will not start without the hopper installed.*
3. If grinding for espresso, insert the dosing cup base (10) and dosing cup (9). If grinding for filter brewing, insert the grounds bin (19).
4. To install the on/off knob (11), align it with the stem of the switch on the right side of the unit and press into place. Use either the on/off knob or the pulse button (7) to begin grinding.

**If there is difficulty in installing the hopper: Ensure that the ring burr (5) is fully seated in place. The grind adjustment ring (13) must be rotated fully counterclockwise using the adjustment ring tabs (14) for the hopper to be installed.*

When grinding into the grounds bin, coffee tends to mound up in the center. To prevent clogging, empty the grounds before they reach the max fill line.

RECOMMENDED INITIAL GRIND SETTINGS

The Encore ESP has a unique adjustment system that is divided into two parts: the espresso range (settings 1-20) and the filter coffee range (settings 21-40). When brewing espresso, very small changes to the grind size are needed to fine-tune the perfect espresso shot. The espresso range of the Encore ESP's adjustment system allows for these precise adjustments, meaning each grind setting from 1-20 will only change the grind size by small amounts between settings. **More information can be found on dialing in espresso shots in our brew guides at Baratza.com.** In order for the grind range to span from the finest espresso to the coarsest cold brew in just 40 clicks, adjustments in the filter coffee range (settings 21-40) result in relatively larger changes to the grind size from setting to setting.

Below are suggested starting points for what grind settings to use for common brew methods. Coarser or finer grinding may be needed depending on recipe requirements and taste preference. **More information can be found on this in our brew guides at Baratza.com.**

	Espresso	AeroPress	Hario V60	Automatic Brewer	Chemex	French Press
Suggested Setting	15	22	25	28	30	32

Note: The espresso grind setting above is based on a medium roast and a dose of 18g of coffee. For darker roasts, or larger doses, set the grinder to a higher number. For lighter roasts, or smaller doses, set the grinder to a smaller number.

GRINDING OPERATION

1. Rotate the hopper so the grind setting indicator (3) is aligned with the desired grind setting (6).
2. When making grind adjustments, the grinder must either be running or completely empty of beans to prevent damage to the unit.
3. If grinding for espresso, the included espresso dosing cup (9) and 58mm adapter ring (8) allow for easy transfer of coffee into a 54mm or 58mm portafilter.
 - If using a 54mm portafilter, remove the adapter ring before dosing.
 - Grind into the dosing cup, fit the portafilter upside-down on top of the dosing cup, and, keeping them together, flip both over to seamlessly dose the grounds into the portafilter basket.
4. To begin grinding, either the on/off switch or the pulse button can be used:
 - To use the on/off switch, rotate it to the "I" position to start grinding, and to the "O" position to stop. Do not leave the grinder unattended while grinding. If the ground coffee surpasses the maximum fill line on the grounds bin, the grinder may become clogged and damaged as a result.
 - To use the pulse button to grind small amounts of coffee, or to have more precise control in how much coffee is ground, simply press and hold the pulse button. The grinder will run for as long as the button is held down, and will stop when the button is released.

CARE & CLEANING

The main components of the Encore ESP can be removed from the grinder for cleaning or maintenance.

REMOVING AND REINSTALLING THE HOPPER

The hopper may be removed for cleaning or maintenance of the burrs.

TO REMOVE:

1. Remove all coffee beans from the hopper and grind any remaining beans through using either the On/Off switch or the pulse button. **Unplug the grinder from the power outlet before removing the hopper.**
2. Rotate the hopper completely counterclockwise so that the grind setting indicator is aligned with the triangle near grind setting 40.
3. Lift the hopper off of the grinder.

Note: The hopper gasket may come off with the hopper. If it does, install it on the ring burr by placing it thick side down within the plastic rim on top of the ring burr to ensure that it is not lost during cleaning.

TO REINSTALL:

1. Check that the hopper gasket, ring burr, and cone burr are all installed properly.
2. Grip the two grind adjustment tabs and ensure that the grind adjustment ring is rotated fully counterclockwise.
3. Align the grind setting indicator on the hopper with the triangle near grind setting 40. Push down on the hopper and rotate it clockwise until it starts to click.

Caution: Do not put the hopper, hopper lid or grounds bin in the dishwasher. Hand wash only. Do not immerse the grinder housing in water. Do NOT wash the burrs with water, or they will rust.

REMOVING AND REINSTALLING THE RING BURR

The ring burr may be removed for cleaning or maintenance.

TO REMOVE:

1. Grip the two grind adjustment tabs and ensure that the grind adjustment ring is rotated fully counterclockwise. Otherwise, the ring burr will be locked into place.
2. Using the two burr lifting tabs, lift the ring burr straight up and out of the grinder. Ensure that the hopper gasket is not lost in the process.

TO REINSTALL:

1. Ensure that the cone burr is installed properly.
2. Grip the two grind adjustment tabs and ensure that the grind adjustment ring is rotated fully counterclockwise.
3. Align the red burr lifting tab with the red mark on the grind adjustment ring. The three tabs protruding from the sides of the ring burr should also align with the three slots in the top of the grind adjustment ring.
4. Press the ring burr down into place.
5. Ensure the hopper gasket is properly installed on the ring burr, with the thicker side of the gasket sitting within the plastic rim on top of the ring burr.

REMOVING AND REINSTALLING THE CONE BURR

The Encore ESP is equipped with a quick-release knob on top of the cone burr, allowing for easy removal of the cone burr for cleaning or burr replacement.

TO REMOVE:

1. Twist the quick-release knob clockwise until removed.* There will be a small washer underneath the quick-release knob. Remove along with the knob.
2. Lift the cone burr straight up and out of the grinder.

**If there is difficulty in removing the quick-release knob, we recommend using a thick cloth or a glove to hold the cone burr in place, as it will rotate freely, but take care as it may be sharp. Pliers may also be used to get a better grip on the quick-release knob.*

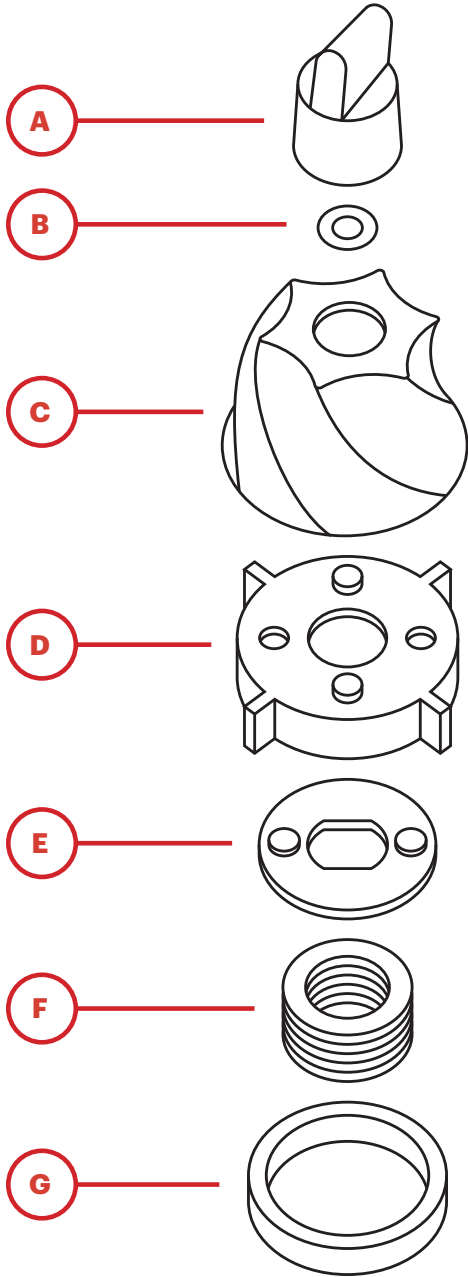
Note: There are several parts that sit below the cone burr that may also be removed for cleaning and maintenance, shown in order in the diagram on the next page. If these parts are removed with the cone burr, keep them arranged in the order shown for reinstallation.

TO REINSTALL:

1. If the parts below the cone burr were removed for cleaning, place them back on the drive shaft in the order shown in the diagram.
2. When placing the cone burr back onto the metal drive shaft, make sure that the two protrusions on part **E** are able to fit into the holes on part **D** and the two divots on the bottom of the cone burr.
3. Place the quick-release knob onto the threaded part on top of the metal drive shaft and twist the knob counter-clockwise to tighten. Tighten until the cone burr starts to rotate when the knob is turned.

CONE BURR ASSEMBLY

- A. Quick-Release Knob
- B. Washer
- C. Cone Burr
- D. Paddle Wheel
- E. Drive Shim
- F. Washer Shims
- G. Felt Ring



CLEANING THE GROUNDS BIN, HOPPER AND BURRS

The grounds bin, hopper, hopper lid, and hopper gasket can be washed with warm, soapy water. Rinse and let air dry. **Do not allow the burrs to get wet, otherwise they will rust.**

If the grinder is used daily, the burrs should be brushed off regularly (about once a month) with the included brush. The burrs do not need to be removed from the grinder for cleaning, but it will allow for a more thorough cleaning. If dark, oily, or flavored coffee is used often, grinder cleaning tablets may need to be used in order to absorb the oils left behind by the coffee. If oil is left to build up in the grinder, it may become clogged, resulting in damage to the grinder. Please follow grinder cleaning tablet manufacturer instructions for use. If a clog may have formed, see the following section for more information. **Do not grind any substance other than grinder cleaning tablets to clean the internals of the grinder.**

A CLOGGED GRINDER

If coffee is not falling into the grounds bin while grinding, and all parts are properly installed and functioning, a clog may be preventing the coffee from moving through the grinder. This can happen if coffee is allowed to mound up past the maximum fill line on the grounds bin, or if dark, oily coffee or flavored coffee is used often without periodically cleaning the grinder. Ground coffee can stick to built-up coffee oils in the grinder and cause a clog to form. Regular cleaning and proper use can prevent a clogged grinder.

IN THE EVENT THAT A CLOG DOES FORM:

- Follow the steps on the previous page to remove the cone burr and parts underneath. This will allow for direct access to where the clog has formed.
- Empty out as much coffee as possible in the grind chamber. The sides and bottom of the grind chamber are white plastic, and should be visible when the coffee has been cleaned out. Compacted coffee can become very hard, so it is recommended that a stiff tool, like a small hex wrench or the handle of the provided cleaning brush, be used to chip away at the compacted coffee.
- The center of the exit chute, where ground coffee exits the grind chamber and falls into the grounds bin, is found directly underneath the red marker on the grind adjustment ring when it is rotated fully counterclockwise. This chute must be completely clear for coffee to exit into the grounds bin.
- If the unclogging attempt is unsuccessful, do not hesitate to contact Baratza support. Check the warranty section on the next page to find out how to contact Baratza support in your region.

SHIM KIT USE AND INSTALLATION

As the grinder is used, parts will settle into place, and the grind settings used may slowly shift so that a finer grind setting must be used. This is a normal part of the wear process and will eventually stop as the parts are settled. However, in some cases, the finest grind settings may not be fine enough to achieve the grind necessary. In this case, the shims provided in the original packaging may be used to shift the overall grind settings of the grinder. By inserting one shim, the grind will shift by about five settings. For example, if setting 10 was used before shim installation, setting 15 will be the rough equivalent after shim installation.

TO INSTALL A SHIM:

1. Follow the instructions on previous pages to remove the hopper, ring burr, and cone burr.
2. After removing the cone burr, remove parts **D** and **E** as shown on the previous page.
3. Place one or two shims (as needed) on top of the other washer shims (Part **F**).
4. Reassemble.

If even after shim installation the grinder is not able to grind finely enough for espresso, there may be an issue with assembly or a part of the unit. See the warranty page for information on how to contact Baratza support in your region for assistance.

WARRANTY & SERVICE

U.S. & CANADIAN WARRANTY INFORMATION

Limited Warranty for Baratza Grinders is 1 year from the original date of purchase. This warranty covers all defects in materials and workmanship (parts and labor) including free ground transportation to and from our repair facility within the US and Canada. This warranty does not apply to: improper use, lack of cleaning, abuse, normal wear and tear, lack of proper adjustment, foreign objects (stones, screws, etc.) in the beans, or uses outside the intended use of grinding whole roasted coffee beans (roasted beyond 1st crack). If the purchased grinder fails within one year, email support@baratza.com or call +1 425-641-1245 or toll free 877-701-2021. For additional warranty, support, or troubleshooting information, go to www.baratza.com.

Please note: Grinders that are purchased in the US or Canada and shipped or taken out of the country have a one-year warranty for parts only. If the grinder fails within one year of date of purchase, simply email us at support@baratza.com or call +1 425-641-1245. Please have the following information prior to contacting Baratza: 1) Proof of date of purchase and 2) Model and serial number (located on bottom of the grinder). A Baratza representative will respond to determine the problem and suggest a solution path. The customer is responsible for paying the freight charges and any duties and taxes for replacement parts that Baratza may send. The customer is also responsible to provide any labor required to repair the grinder.

INTERNATIONAL WARRANTY INFORMATION

For all countries outside the US and Canada, the warranty, support and service is provided by the International Retailer the grinder was purchased from. If the grinder was purchased from a retailer outside of the country the customer resides in, the customer may be responsible for any shipping costs to service the grinder, and may need to pay for service.

PROOF OF PURCHASE & PRODUCT REGISTRATION

The grinder can be registered at www.baratza.com/register-your-grinder. Registration will enable us to contact the registrant in the unlikely event of a product safety notification and assist us in complying with the provisions of the Consumer Product Safety Act. The serial number is located on the bottom of the grinder. Please keep the sales receipt that shows the date of purchase.

FOR REPAIRS OR QUESTIONS

Email: support@baratza.com

For Parts and Information go to: www.baratza.com

For Troubleshooting Help:
www.baratza.com/troubleshooting