

## TUNGSTEN SMART-HEAT™ PORTABLE

Its neutral black finish and award-winning design make it a piece of modern art. The Tungsten Smart-Heat™ Portable heater offers efficient directional heat and is a versatile heating solution for any outdoor settings. Its modular construction with built-in wheels allows for easy manoeuvrability in tighter spaces.

**ANGLED BRACKET**  
Provides flexibility  
of heat direction

**ADJUSTABLE  
HEAT CONTROLS**  
Offers ease of  
operation and precise  
heat comfort levels

**MODULAR  
CONSTRUCTION**  
For simple storage

**UNIQUE DESIGN**  
Honeycomb fascia  
facilitates precise  
heat distribution

**SAFETY FEATURE**  
Anti tilt shut off

**CONTOURED DESIGN**  
Allows for superior  
wind resistance

**PORTABLE**  
For ease of movement

# SPECIFICATIONS

Reference the specification guide below to help you select the correct solution for your needs.

## MODEL NUMBER

PRODUCT CODE	BH0510001
FUEL TYPE	LPG   NG
COLOR	BLACK
HEAT AREA	215FT
ELECTRICAL CONNECTION	-
MINIMUM CEILING CLEARANCE	36"
OUTPUT	38,500 BTU

## MOUNTING OPTIONS

CEILING MOUNT	-
WALL MOUNT	-
RECESSED   FLUSH MOUNT	-
CEILING POLE MOUNT	-
FREESTANDING	✓

## CONTROL OPTIONS

ON   OFF	-
DIMMER	-
MASTER REMOTE	-

## ADDITIONAL OPTIONS

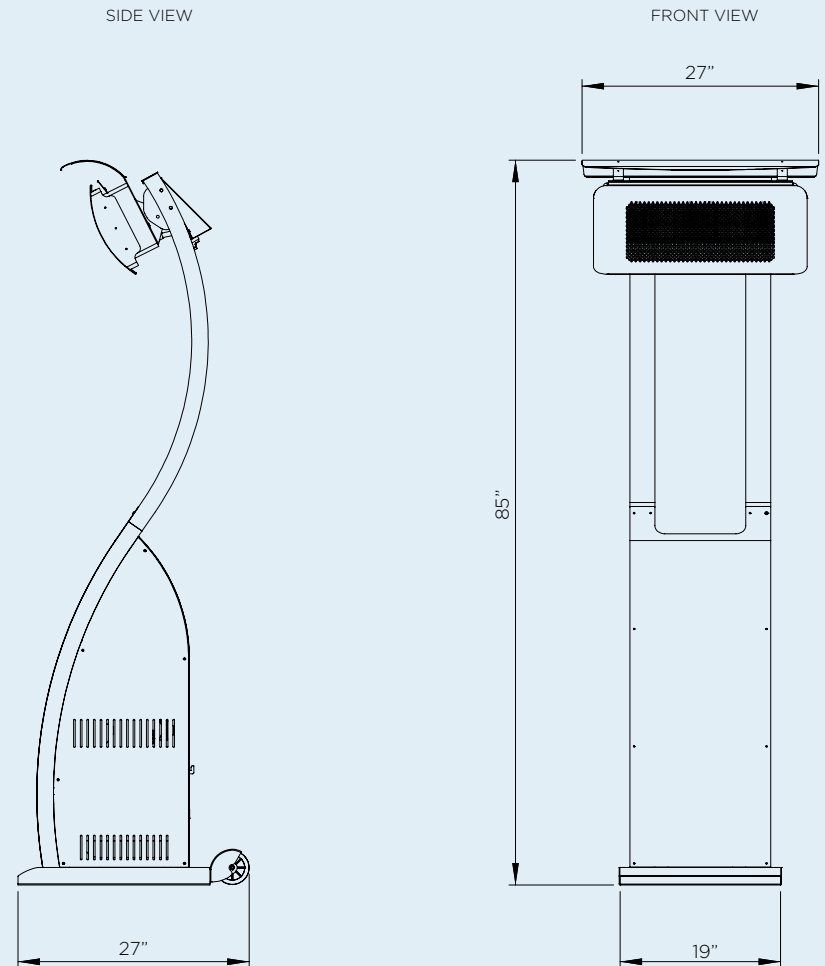
NATURAL GAS CONVERSION KIT PRODUCT CODE	BH8280050
HEATER COVER PRODUCT CODE	BH3030010

Measurements displayed within this document are minimum requirements for installation. Bromic takes no responsibility for incorrect or non-compliant installations. All measurement in this document are displayed in inches.

# DIMENSIONS

With a wide range of sizes available, find the ideal heater to suit your outdoor space.

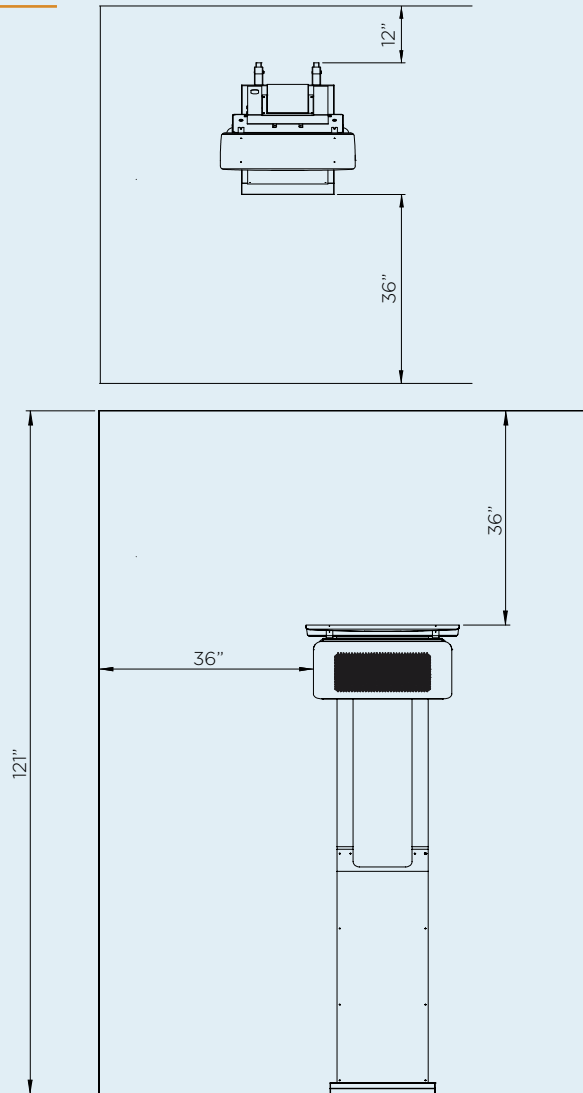
## PROFILE



# CLEARANCE

With a wide array of mounting options, Bromic offers solutions to compliment any décor and provide functionality for ambiance and comfort.

## CEILING & WALL CLEARANCE

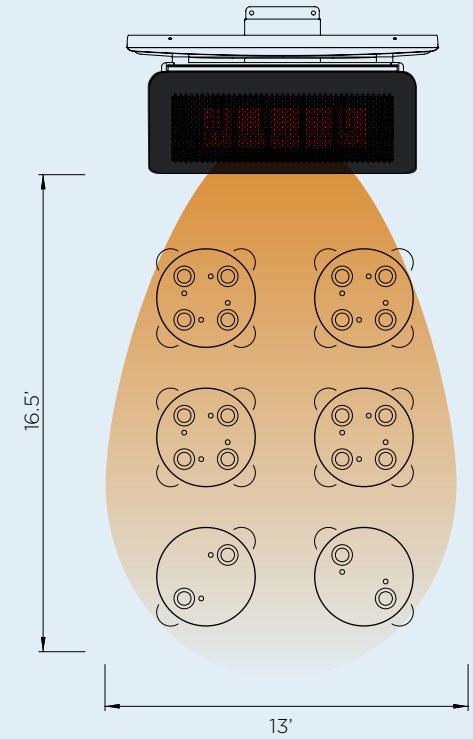


# HEATING REACH

Creating ideal comfort levels, Bromic heaters offer a variety of heat distribution options to suit your outdoor heating needs.

## HEAT AREAS

**TUNGSTEN PORTABLE**  
HEATING APPROXIMATELY 215FT<sup>2</sup>  
38,500 BTU HEATING POWER



An outdoor dining area on a wooden deck overlooking the ocean at sunset. Two tall, dark-colored outdoor heaters with glowing red heat exchangers are positioned on either side of a central table. The table is set with white plates, glasses, and a small vase. The chairs are a vibrant teal color. The background shows a calm sea and a hazy horizon under a soft, orange and pink sky. Palm trees are visible on the left and right sides of the frame.

EXTEND YOUR COMFORT OUTDOORS  
WITH THE SUPERIOR HEAT AND  
AWARD-WINNING DESIGN OF OUR  
SMART-HEAT™ OUTDOOR HEATERS.

---

[BROMIC.COM/HEAT](https://www.bromic.com/heat)

ASIA PACIFIC | NORTH AMERICA | EUROPE

Bromic pursues a policy of continuing improvement in design and performance of its products. The right is therefore reserved to vary specifications without notice.