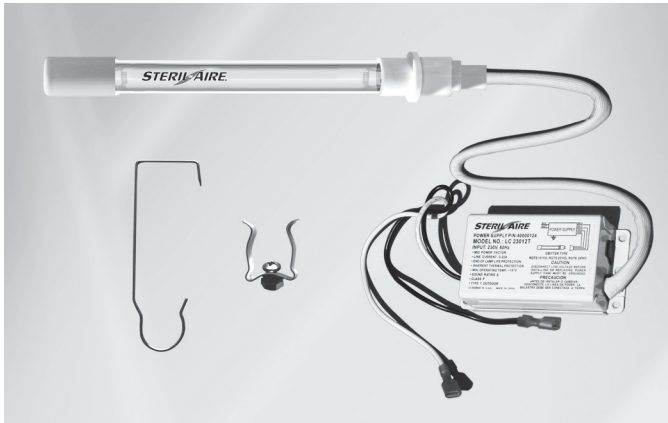


STERIL-AIRE®

UVC for HVAC™

UVC Kit for Unitary Air Conditioners

Germicidal UVC for Packaged Terminal (PTAC), Mini-Split, Split, Heat Pumps, Window Units



Steril-Aire's UVC Kit for Unitary Air Conditioners includes a multi-patented UVC Emitter™ that provides the most economical and longest-lasting ultraviolet C performance available. The Steril-Aire Unitary solution has been tested to deliver an average of 2.5 times the output of other ultraviolet devices under HVAC operating conditions (45 °F @ 500 fpm air velocity).

Competitive UVC lights must be changed every 3-4 months because they quickly lose the output or “killing power” needed to maintain biofilm control. The Steril-Aire UVC Emitter, by contrast, has a 12-month service life. Even after a full year, Steril-Aire UVC has greater output than competitive devices deliver on Day 1! As a result, only Steril-Aire can ensure the germicidal performance you need.

Applications

The Steril-Aire UVC Kit for Unitary Air Conditioners includes proven technology designed for unitary systems less than 5 tons found primarily in individual spaces for residential and light commercial applications. These systems include packaged terminal air conditioners (PTAC), window units, heat pumps, split systems, mini-split and ductless systems. Unitary systems are typically used in hotels/motels, dormitories, apartments, houses and smaller commercial, retail and industrial environments.

Steril-Aire's solution is designed specifically for small coils up to 15" H x 26" W. Emitters shall be installed perpendicular to the cooling coil, producing high output UVC energy to eliminate biofilm, reducing or eliminating airborne microbial contaminants. The small size power supply offers installation flexibility close to the face of the coil for continuous coil cleaning and optimum air quality.

Components can be selected based on the voltage and UVC Emitter length required. Choose from five Emitter lengths (7.5", 10", 16", 20", 24") and two voltage options (120V and 208/230V). Two mounting options to fit most major brands are included. A Flat Plate Lamp Holder and Insert Lamp Holder are available as optional accessories. Custom mounting options may be available upon request.

Benefits

- Kills and/or reduces surface and airborne microorganisms that contribute to poor IAQ and/or the spread of infectious disease, including: mold and mold spores, bacteria (including TB, *Legionella*, *E. coli*, *Listeria*, *Pseudomonas*, *Serratia* and whooping cough); viruses (including colds, flu, measles, mumps and SARS).
- Continuously cleans coils and drain pans, eliminating time-consuming, costly cleaning programs and the use of harmful chemicals and disinfectants.
- Eliminates the major source of allergy and asthma discomfort problems.
- Delivers an average of 2.5 times the output of competitive UVC products at HVAC operating temperatures, for 3-4 times longer life and more reliable germicidal control.
- Offers lowest life-cycle cost of any UVC product. Return on investment is often less than one year.
- Provides improved HVAC system operational efficiency, resulting in less energy use.
- Produces no ozone or other secondary contaminants – will not harm occupants, equipment or furnishings.
- Installs quickly, easily and safely.

Specifications

The Unitary Air Conditioners Kit shall be factory assembled and tested. They shall consist of a single-ended UVC Emitter, Mounting Kit and a regulated, enclosed power supply.

The power supply shall be a 25 Watt unit with connector for Emitter. It shall be suitable for single-phase input power of either 120 volts or 208/230 volts (+/- 10%) and 50 or 60 Hertz. The design shall include RF and EMI suppression. The power supply input wire length shall be 11”.

The socket shall be a Circline® 4 pin type to facilitate connection to the Emitter for ease of installation and service.

The Emitter shall be a high output, hot cathode, T5 diameter, Circline cell-base type that produces a UVC band of 250-260 nm. The single-ended UVC Emitter shall be designed to maximize photon

production, irradiance and reliability in cold or moving air streams of 35-158 °F, 99% RH and up to 2000 fpm. It shall produce no ozone or other secondary contaminants. The Emitter to power supply sleeved wire length shall be 14”. Optional Emitter extension cords in 11” and 32” lengths (with connectors) shall be available.

The Mounting Kit shall include 2 types of brackets – 2-small spring clips and 2-short hooks – as well as loop straps and mounting screws to facilitate installation in most major brands. Optional accessories include a Flat Plate Lamp Holder and Insert Lamp Holder. Custom brackets may be available upon request.

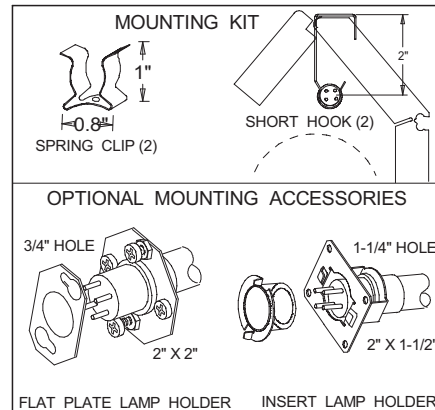
The power supply shall be UL Listed. The manufacturer shall be an ISO 9001:2000 certified facility.

This product may be covered by one or more of the following patents, others pending: 5,334,347 / 5,866,076 / 5,817,276 / 6,372,186 / 6,313,470 / 6,245,293 / 6,267,924 / 6,280,686 / 6,423,882 / 6,500,267 / 6,589,476 / 6,627,000 / 6,997,578.

Ordering Information (Kits do not include Emitter)

Model	Part No.	Description	Emitter Length	Electrical
Unitary HO Kit	40000126	UVC Kit for Unitary Air Conditioners (includes power supply & mounting kit)	N/A	120 V
Unitary HO Kit	40000127	UVC Kit for Unitary Air Conditioners (includes power supply & mounting kit)	N/A	208/230 V
UVC Emitter				
RGTS 7.5 HO	22000500	UVC Emitter	7.5"	20 W
RGTS 10 HO	22000400	UVC Emitter	10"	25 W
RGTS 16 HO	22000300	UVC Emitter	16"	35 W
RGTS 20 HO	22000100	UVC Emitter	20"	43 W
RGTS 24 HO	22000200	UVC Emitter	24"	50 W

OPTIONAL ACCESSORIES	Part No.
Flat Plate Lamp Holder	90000220
Insert Lamp Holder	11005004
11” Emitter Extension Wire	50000111-11
32” Emitter Extension Wire	50000111-32
Cleaning Kit	90000100
Viewport	90000203
Replacement Mounting Kit	90000827



Steril-Aire, Inc.

Corporate Office:

2840 N. Lima Street
 Burbank, CA 91504
 Telephone: 818-565-1128
 Fax: 818-565-1129

Website: www.steril-aire.com
 Email: sales@steril-aire.com



Registered to ISO 9001:2000
 File No. A13253

Represented By: