

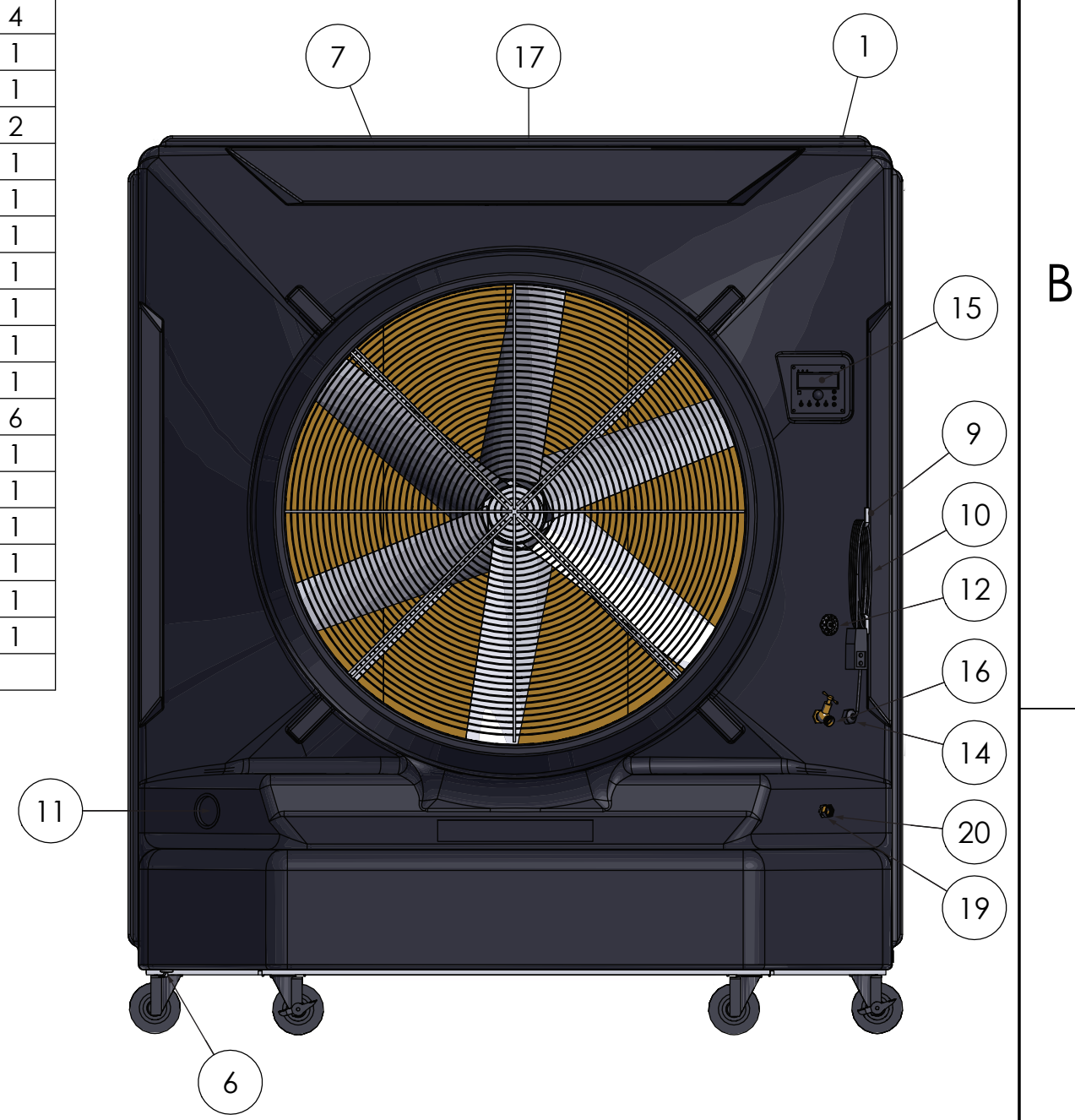
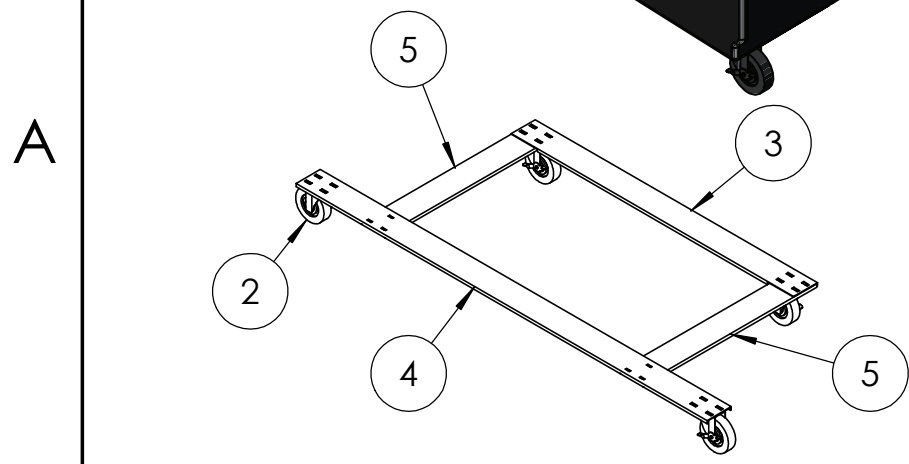
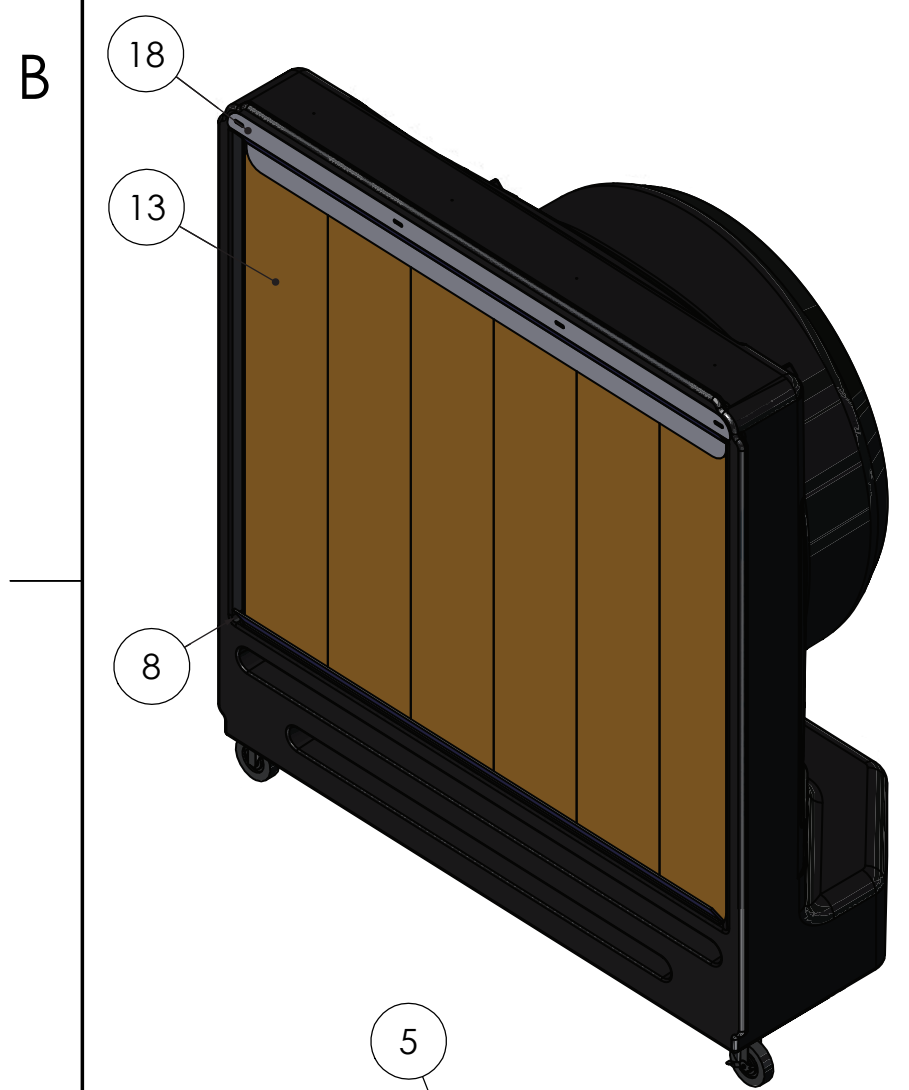
4

3

2

1

ITEM NO.	PART NUMBER	DESCRIPTION	QTY.
1	CS-H50-110	GRAY HOUSING	1
2	CS-H48-150	CASTER SWIVEL W/ BRAKE	4
3	CS-H50-210	FRONT CASTER CHANNEL	1
4	CS-H50-200	REAR CASTER CHANNEL	1
5	CS-H50-205	LEFT & RIGHT CASTER CHANNEL	2
6	CS-P105-C	CAM HANDLE DRAIN PLUG	1
7	CS-F48-180	FAN GUARD	1
8	CS-H50-165	CS6 DRAIN TRAY	1
9	CS-E200	CORD WRAP	1
10	CS-E135-1	POWER CORD	1
11	CS-H740	ACCESS PLUG	1
12	CS-A114	FLOW CONTROL VALVE ASSY	1
13	CS-H48-140	COOLING MEDIA (203D x 305W x 1524H)	6
14	CS-E108	CORD GRIP	1
15	CS-E50-115	CONTROL PANEL	1
16	CS-A355-DRAIN	DRAIN ASSEMBLY	1
17	50IN FAN ASSEMBLY	FAN ASSEMBLY	1
18	CS-H50-101	PAD RETAINER BAR	1
19	CS-P155	BRASS BULKHEAD FITTING	1
20	N/A	N/A	



PROPRIETARY AND CONFIDENTIAL
 THE INFORMATION CONTAINED IN THIS DRAWING IS THE SOLE PROPERTY OF DELTA T CORP. ANY REPRODUCTION IN PART OR AS A WHOLE WITHOUT THE WRITTEN PERMISSION OF DELTA T CORP. IS PROHIBITED

2348 INNOVATION DRIVE
 LEXINGTON, KY 40511
 877-244-3267

UNLESS OTHERWISE SPECIFIED:		NAME	DATE	PART #
DIMENSIONS ARE IN INCHES	DRAWN			
TOLERANCES:	CHECKED			
FRACTIONAL ±	ENG APPR.			
ANGULAR: MACH ± BEND ±	MFG APPR.			
TWO PLACE DECIMAL ±	Q.A.			
THREE PLACE DECIMAL ±	COMMENTS:			
INTERPRET GEOMETRIC TOLERANCING PER:				
MATERIAL				
FINISH				
DO NOT SCALE DRAWING				
TITLE:				REV
TOP TIER BREAKDOWN				SIZE
				DWG. NO.
SCALE: 1:24		WEIGHT:	SHEET 2 OF 5	

4

3

2

1

4

3

2

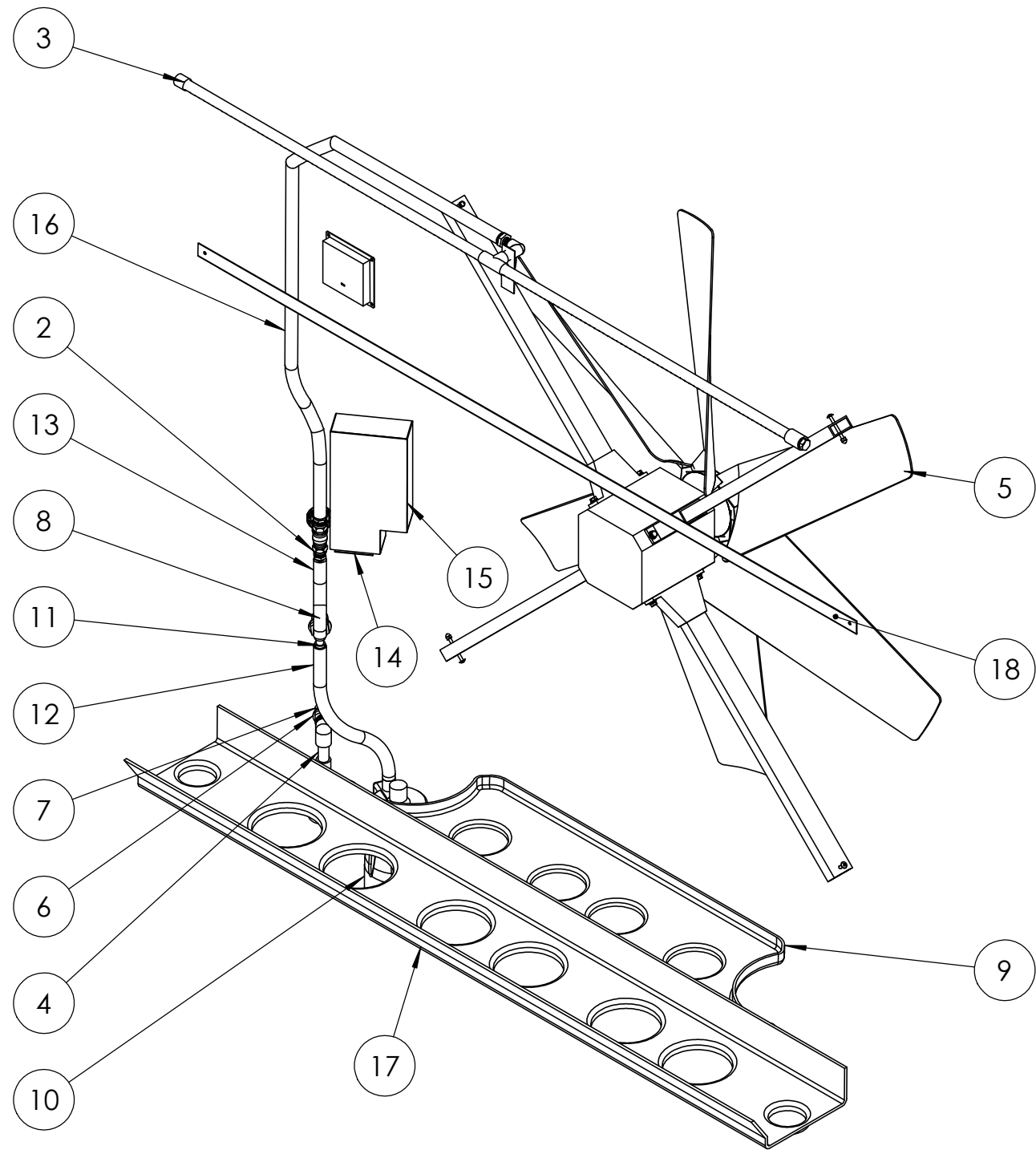
1

B

B

A

A



ITEM NO.	PART NUMBER	DESCRIPTION	QTY.
1	CS-P105-C	CAM HANDLE DRAIN PLUG	1
2	CS-A114	FLOW CONTROL VALVE ASSY	1
3	CS-A50-120	SPRAY BAR ASSEMBLY	1
4	CS-A36-130	FLOAT ASSEMBLY	1
5	50IN FAN ASSEMBLY	FAN ASSEMBLY	1
6	CS-P155	BRASS BULKHEAD FITTING	1
7	CS-P156.1	HOSE CONNECTION	1
8	CS-A355-DRAIN	DRAIN ASSEMBLY	1
9	CS-H50-170	FRONT TRAY	1
10	CS-E192-2	PUMP W/LOW WATER SHUTOFF	1
11	CS-P137	NPT x BARB x BARB TEE	1
12	CS-A48-PUMP HOSE	PUMP HOSE	1
13	CS-A121-VALVE HOSE	VALVE HOSE	1
14	CS-H50-215	INVERTER BRACKET	1
15	CS-A50-200	CONTROL PANEL	1
16	CS-A48-UPEER HOSE	UPPER HOSE	1
17	CS-H50-165	CS6 DRAIN TRAY	1
18	CS-H50-102	PAD SUPPORT BAR	1

1



BIG ASS FANS

PROPRIETARY AND CONFIDENTIAL
 THE INFORMATION CONTAINED IN THIS DRAWING IS THE SOLE PROPERTY OF DELTA T CORP. ANY REPRODUCTION IN PART OR AS A WHOLE WITHOUT THE WRITTEN PERMISSION OF DELTA T CORP. IS PROHIBITED

2348 INNOVATION DRIVE
 LEXINGTON, KY 40511
 877-244-3267

UNLESS OTHERWISE SPECIFIED:		NAME	DATE	PART #
DIMENSIONS ARE IN INCHES		DRAWN		
TOLERANCES:		CHECKED		
FRACTIONAL ±		ENG APPR.		
ANGULAR: MACH ± BEND ±		MFG APPR.		
TWO PLACE DECIMAL ±		Q.A.		
THREE PLACE DECIMAL ±		COMMENTS:		
INTERPRET GEOMETRIC TOLERANCING PER:				
MATERIAL				
FINISH				
DO NOT SCALE DRAWING				
TITLE: BOTTOM TIER BREAKDOWN				
SIZE B	DWG. NO.			REV
SCALE: 1:24	WEIGHT:	SHEET 3 OF 5		

4

3

2

1