

4

3

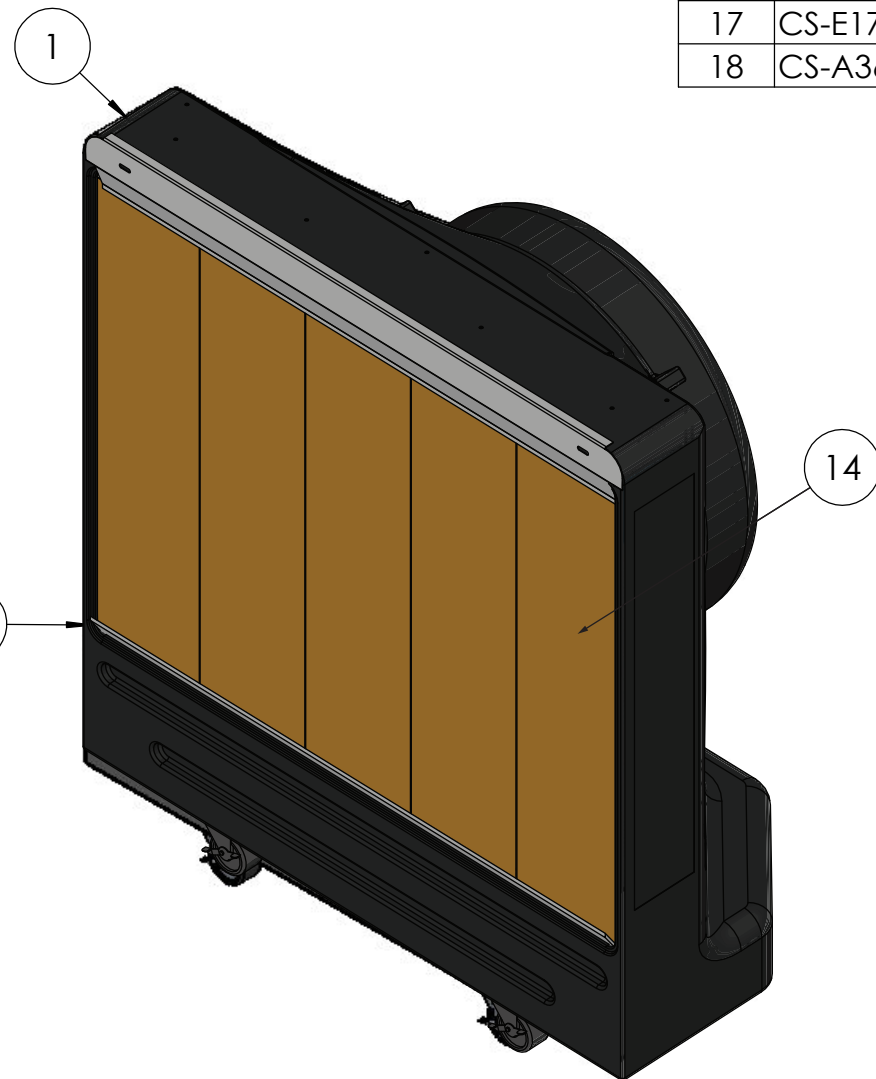
2

1

ITEM NO.	PART NUMBER	DESCRIPTION	QTY.
1	CS-H36-100	GRAY HOUSING	1
2	CS-A36-487-6	WHEEL BASE ASSEMBLY	1
3	CS-P105-C	CAM HANDLE DRAIN PLUG	1
4	CS-H36-165	CS6 DRAIN TRAY	1
5	CS-H36-170	FRONT GUARD	1
6	CS-A355-DRAIN	DRAIN ASSEMBLY	1
7	CS-A114	FLOW CONTROL VALVE ASSY	1
8	N/A	N/A	1
9	CS-P155	BRASS BULKHEAD FITTING 1/2"	1
10	CS-E193	CORD WITH 15A GFI PLUG	1
11	CS-E110	ON/OFF SWITCH	1
12	CS-E200	CORD WRAP	1
13	CS-H740	ACCESS PLUG	1
14	CS-H613	MEDIA PAD (203D x 305W x 737H)	5
15	CS-H36-614	DISTRIBUTION PAD (203D x 762W x 38H)	2
16	CS-E180	VARIABLE SPEED CONTROLLER	1
17	CS-E172	CONTROL KNOB EXTENSION	1
18	CS-A36-FANVD	FAN ASSEMBLY	1

B

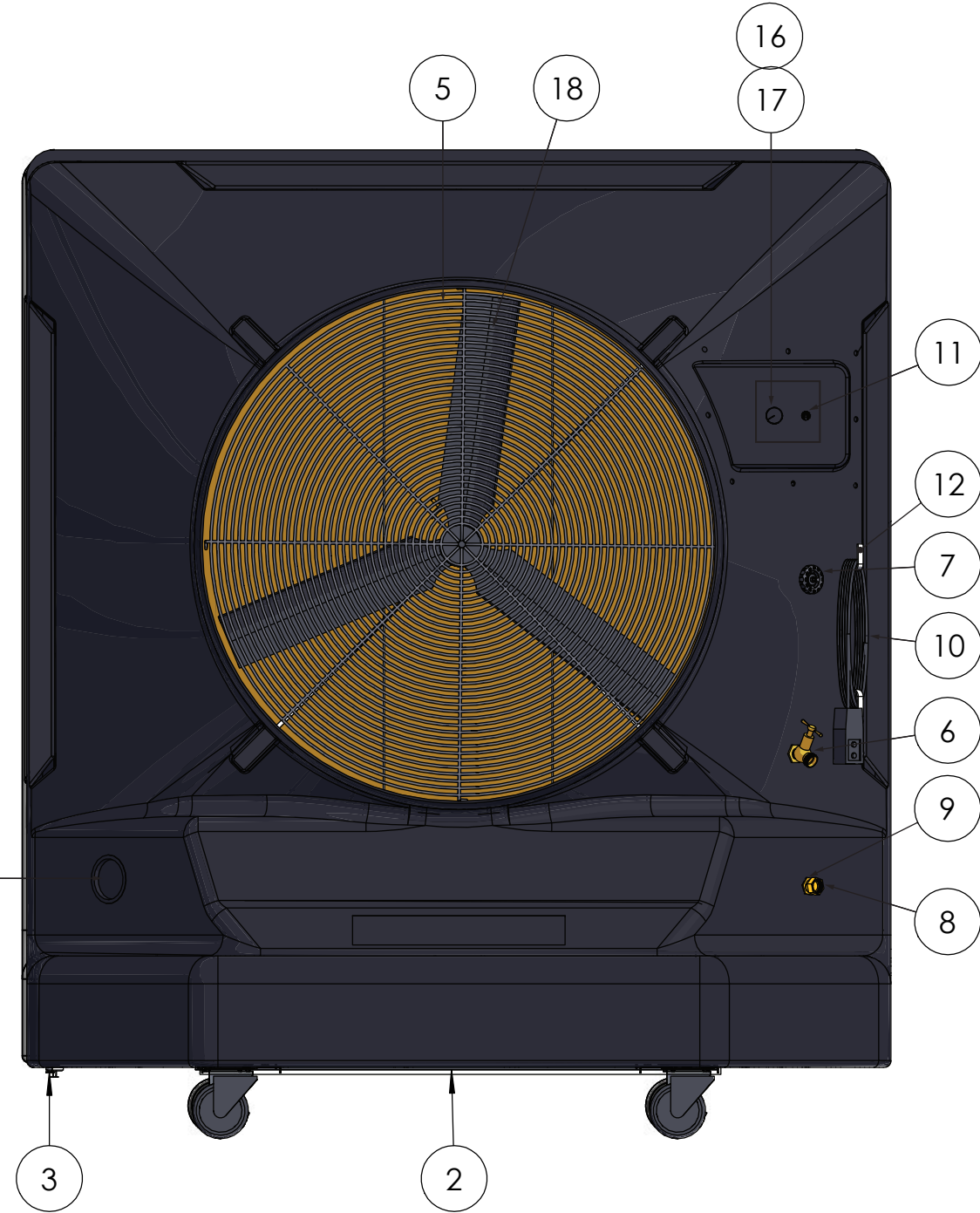
B



PADS BEHIND RETAINER BAR

A

A



**BIG ASS FANS**

PROPRIETARY AND CONFIDENTIAL  
 THE INFORMATION CONTAINED IN THIS DRAWING IS THE SOLE PROPERTY OF DELTA T CORP. ANY REPRODUCTION IN PART OR AS A WHOLE WITHOUT THE WRITTEN PERMISSION OF DELTA T CORP. IS PROHIBITED

2348 INNOVATION DRIVE  
 LEXINGTON, KY 40511  
 877-244-3267

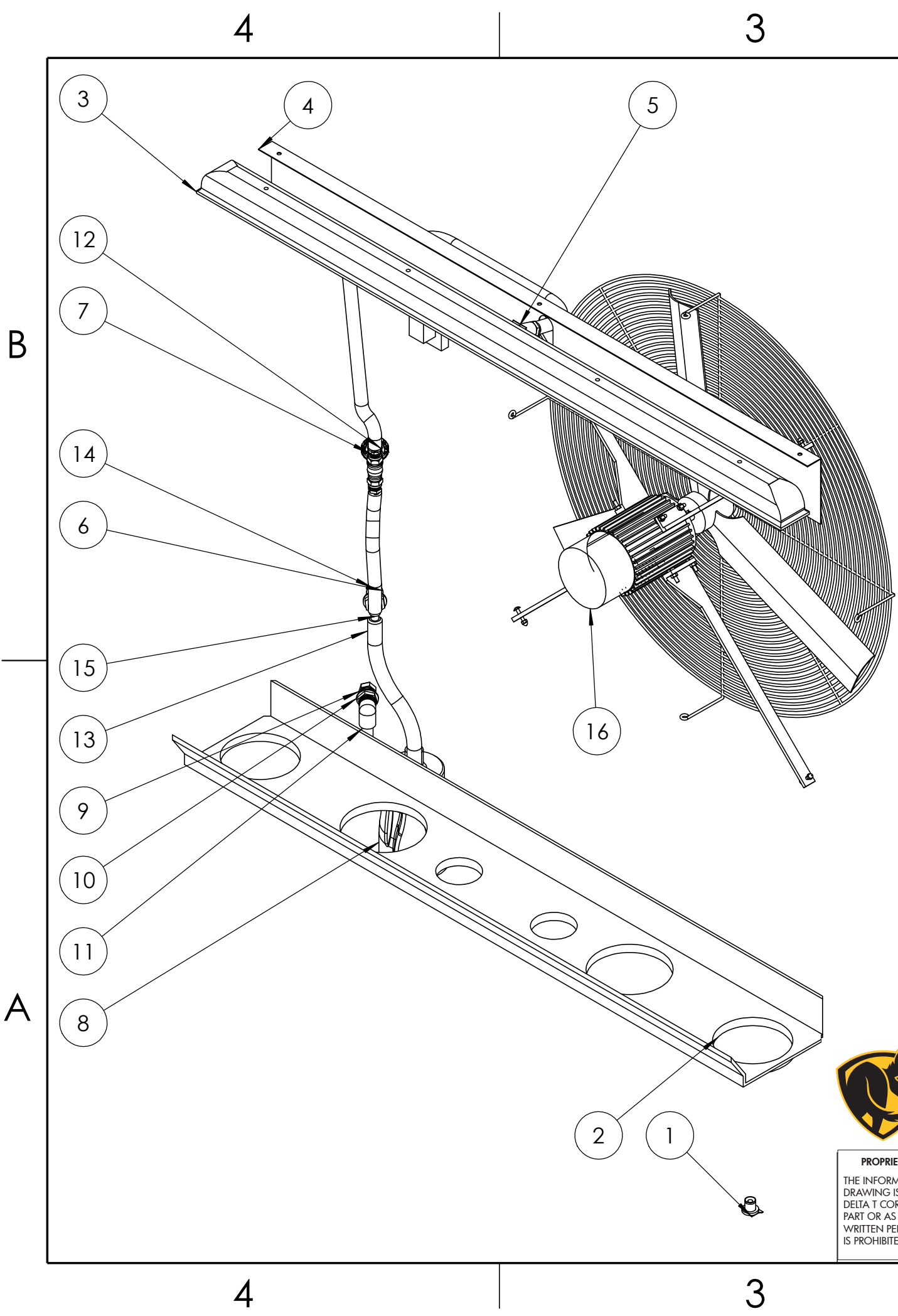
UNLESS OTHERWISE SPECIFIED:		NAME	DATE	PART #
DIMENSIONS ARE IN INCHES		DRAWN		
TOLERANCES:		CHECKED		
FRACTIONAL ±		ENG APPR.		
ANGULAR: MACH ± BEND ±		MFG APPR.		
TWO PLACE DECIMAL ±		Q.A.		
THREE PLACE DECIMAL ±		COMMENTS:		
INTERPRET GEOMETRIC TOLERANCING PER:				
MATERIAL				
FINISH				
DO NOT SCALE DRAWING				
TITLE: <b>TOP TIER BREAKDOWN</b>				
SIZE <b>B</b>	DWG. NO.			REV
SCALE: 1:24		WEIGHT:	SHEET 2 OF 3	

4

3

2

1



ITEM NO.	PART NUMBER	DESCRIPTION	QTY.
1	CS-P105-C	CAM HANDLE DRAIN PLUG	1
2	CS-H36-165	CS6 DRAIN TRAY	1
3	CS-H36-160	DISTRIBUION BAR	1
4	CS-H36-120	TOP HOUSING SUPPORT	1
5	CS-A36-120	SPRAY BAR ASSEMBLY	1
6	CS-A355-DRAIN	DRAIN ASSEMBLY	1
7	CS-A114	FLOW CONTROL VALVE ASSY	1
8	CS-E192-2	PUMP W/LOW WATER SHUTOFF	1
9	N/A	N/A	1
10	CS-P155	BRASS BULKHEAD FITTING	1
11	CS-A36-130	FLOAT ASSEMBLY	1
12	CS-A36-UPPER HOSE	UPPER HOSE	1
13	CS-A36-PUMP HOSE	PUMP HOSE	1
14	CS-A121-VALVE HOSE	VALVE HOSE	1
15	CS-P137	NPT X BARB X BARB TEE	1
16	CS-M36 230V	FAN ASSEMBLY	1



**PROPRIETARY AND CONFIDENTIAL**  
 THE INFORMATION CONTAINED IN THIS DRAWING IS THE SOLE PROPERTY OF DELTA T CORP. ANY REPRODUCTION IN PART OR AS A WHOLE WITHOUT THE WRITTEN PERMISSION OF DELTA T CORP. IS PROHIBITED

2348 INNOVATION DRIVE  
 LEXINGTON, KY 40511  
 877-244-3267

UNLESS OTHERWISE SPECIFIED:		NAME	DATE	PART #
DIMENSIONS ARE IN INCHES	DRAWN			
TOLERANCES:	CHECKED			
FRACTIONAL ±	ENG APPR.			
ANGULAR: MACH ± BEND ±	MFG APPR.			
TWO PLACE DECIMAL ±	Q.A.			
THREE PLACE DECIMAL ±	COMMENTS:			
INTERPRET GEOMETRIC TOLERANCING PER:				
MATERIAL				
FINISH				
DO NOT SCALE DRAWING				
<b>TITLE:</b> BOTTOM TIER BREAKDOWN				
SIZE <b>B</b>	DWG. NO.			REV
SCALE: 1:24	WEIGHT:	SHEET 3 OF 3		