

4

3

2

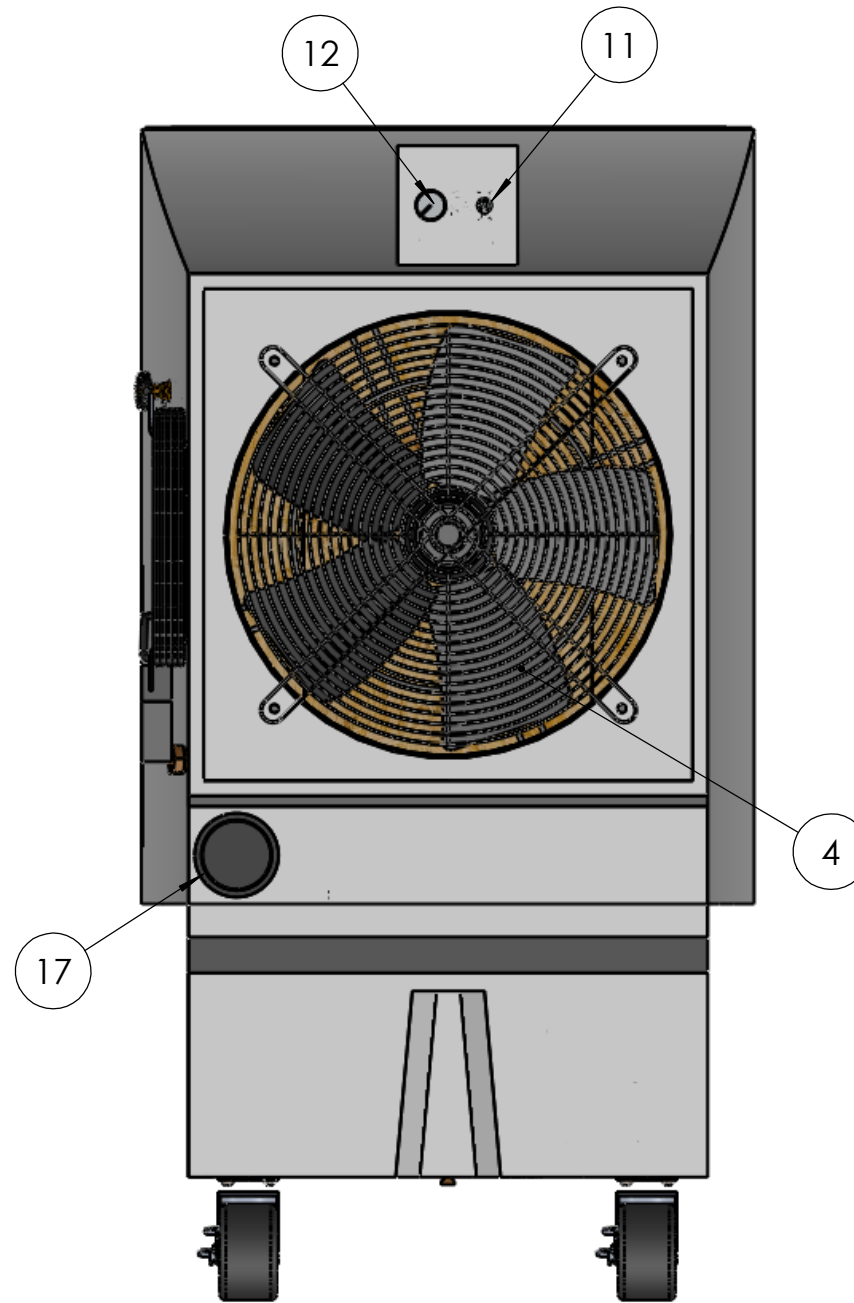
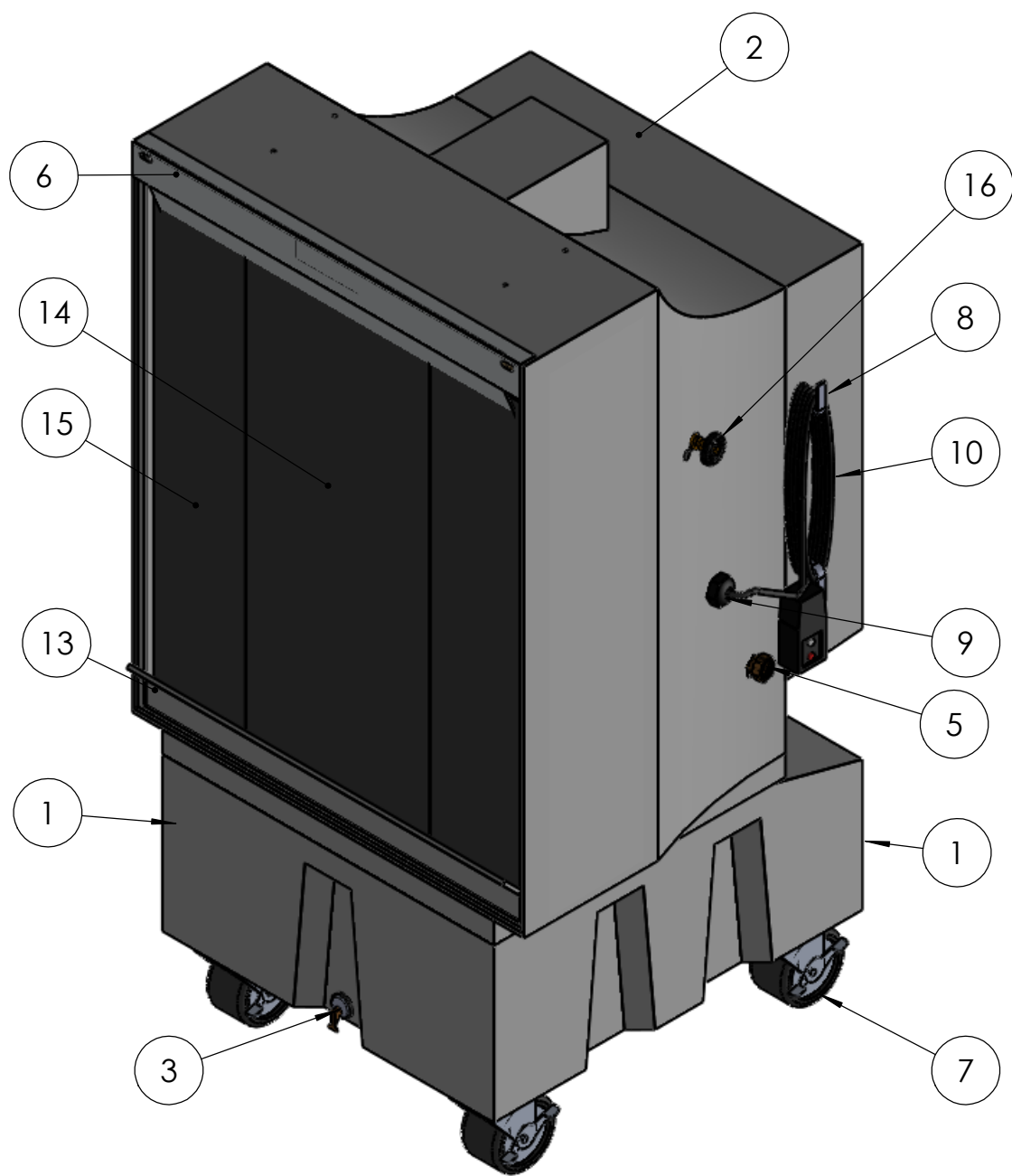
1

B

B

A

A



ITEM NO.	PART NUMBER	DESCRIPTION	QTY.
1	CS-H516	BOTTOM HOUSING	1
2	CS-H517	TOP HOUSING	1
3	CS-P105-C	CAM HANDLE DRAIN PLUG	1
4	CS-F16-VD	VARIABLE DRIVE FAN ASSEMBLY	1
5	CS-P155	INLET BULKHEAD FITTING	1
6	CS-H116A	MEDIA RETAINER BAR	1
7	CS-H410	SWIVEL CASTER WITH BRAKE	4
8	CS-E200	CORD WRAP	1
9	CS-E108	CORD GRIP	1
10	CS-E135	ELECTRICAL CORD	1
11	CS-E110	ON/OFF SWITCH	1
12	CS-E199-VD	VARIABLE DRIVE CONTROLLER	1
13	CS-H193	DRAIN TRAY	1
14	CS-H610	MEDIA PAD (203D x 305W x 737H)	1
15	CS-H611	MEDIA PAD (203D x 152W x 737H)	2
16	CS-A332	FLOW CONTROL ASSEMBLY	1
17	CS-H740	ACCESS PLUG	1



BIG ASS FANS

PROPRIETARY AND CONFIDENTIAL
 THE INFORMATION CONTAINED IN THIS DRAWING IS THE SOLE PROPERTY OF DELTA T CORP. ANY REPRODUCTION IN PART OR AS A WHOLE WITHOUT THE WRITTEN PERMISSION OF DELTA T CORP. IS PROHIBITED

2348 INNOVATION DRIVE
 LEXINGTON, KY 40511
 877-244-3267

UNLESS OTHERWISE SPECIFIED:		NAME	DATE	PART #
DIMENSIONS ARE IN INCHES	DRAWN			
TOLERANCES:	CHECKED			
FRACTIONAL ±	ENG APPR.			
ANGULAR: MACH ± BEND ±	MFG APPR.			
TWO PLACE DECIMAL ±	Q.A.			
THREE PLACE DECIMAL ±	COMMENTS:			
INTERPRET GEOMETRIC TOLERANCING PER:				
MATERIAL				
FINISH				
DO NOT SCALE DRAWING				

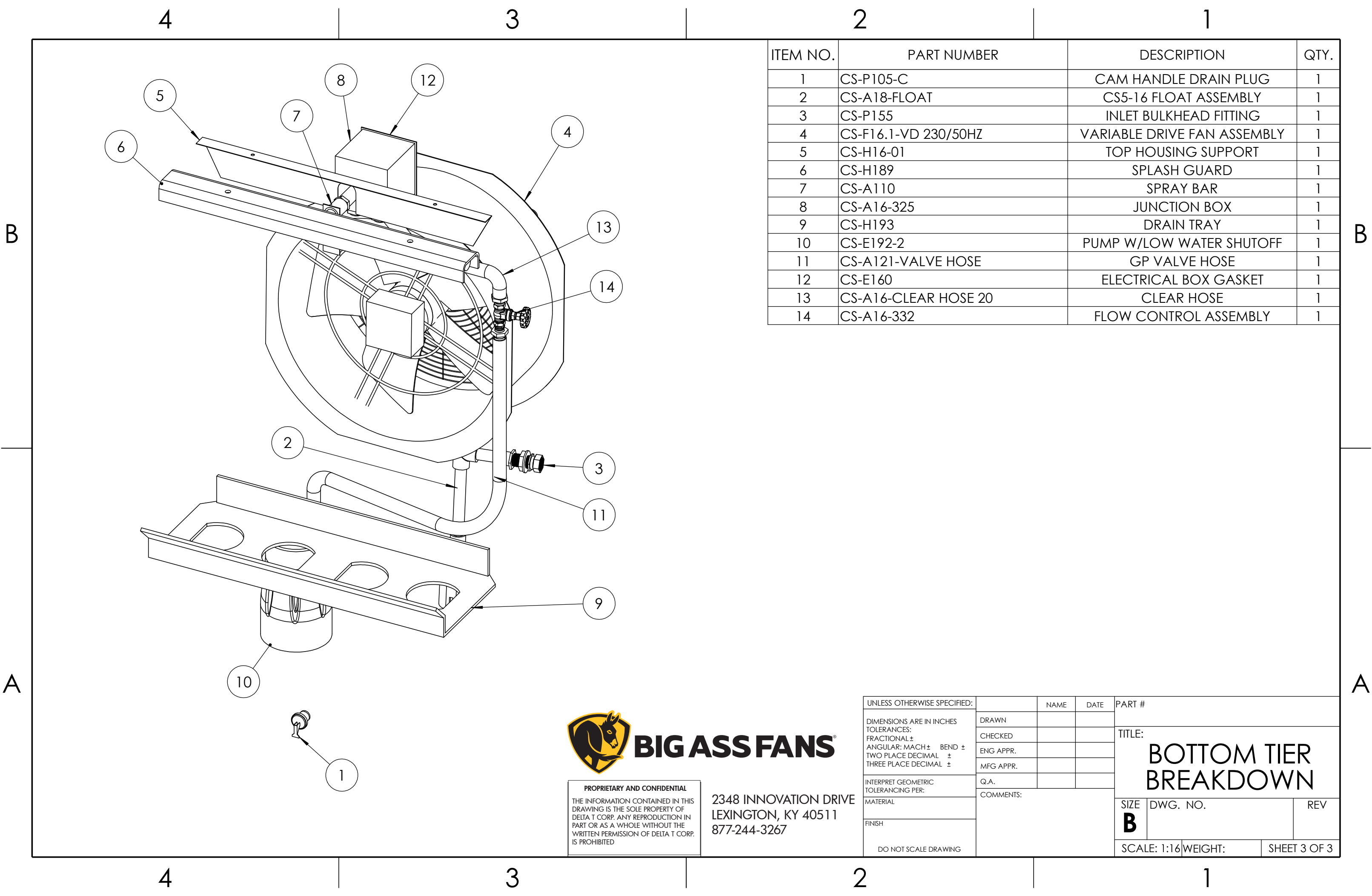
TITLE: TOP TIER BREAKDOWN		
SIZE B	DWG. NO.	REV
SCALE: 1:16	WEIGHT:	SHEET 2 OF 3

4

3

2

1



ITEM NO.	PART NUMBER	DESCRIPTION	QTY.
1	CS-P105-C	CAM HANDLE DRAIN PLUG	1
2	CS-A18-FLOAT	CS5-16 FLOAT ASSEMBLY	1
3	CS-P155	INLET BULKHEAD FITTING	1
4	CS-F16.1-VD 230/50HZ	VARIABLE DRIVE FAN ASSEMBLY	1
5	CS-H16-01	TOP HOUSING SUPPORT	1
6	CS-H189	SPLASH GUARD	1
7	CS-A110	SPRAY BAR	1
8	CS-A16-325	JUNCTION BOX	1
9	CS-H193	DRAIN TRAY	1
10	CS-E192-2	PUMP W/LOW WATER SHUTOFF	1
11	CS-A121-VALVE HOSE	GP VALVE HOSE	1
12	CS-E160	ELECTRICAL BOX GASKET	1
13	CS-A16-CLEAR HOSE 20	CLEAR HOSE	1
14	CS-A16-332	FLOW CONTROL ASSEMBLY	1



BIG ASS FANS

PROPRIETARY AND CONFIDENTIAL
 THE INFORMATION CONTAINED IN THIS DRAWING IS THE SOLE PROPERTY OF DELTA T CORP. ANY REPRODUCTION IN PART OR AS A WHOLE WITHOUT THE WRITTEN PERMISSION OF DELTA T CORP. IS PROHIBITED

2348 INNOVATION DRIVE
 LEXINGTON, KY 40511
 877-244-3267

UNLESS OTHERWISE SPECIFIED:		NAME	DATE	PART #
DIMENSIONS ARE IN INCHES	DRAWN			TITLE: BOTTOM TIER BREAKDOWN
TOLERANCES:	CHECKED			
FRACTIONAL ±	ENG APPR.			
ANGULAR: MACH ± BEND ±	MFG APPR.			
TWO PLACE DECIMAL ±	Q.A.			SIZE DWG. NO. REV
THREE PLACE DECIMAL ±	COMMENTS:			B
INTERPRET GEOMETRIC TOLERANCING PER:				SCALE: 1:16 WEIGHT: SHEET 3 OF 3
MATERIAL				
FINISH				
DO NOT SCALE DRAWING				