

The Com-Pak Twin Plus

The economical choice for larger areas



CADET
SAFETY & QUALITY



Features and Benefits

- Primary and Secondary Thermal Safeguards
 - Commercial grade high temperature manual reset
 - Over temperature one-time thermal device
- Nichrome coil elements for quick heat
- Powder coat paint process eliminates sharp metal edges
- Wall can designed for ease of installation

General Information:

The Com-Pak Twin Plus is the ideal choice for heating large areas such as an open foyer with a single heater. Twin heaters connected behind a single grill provide all the benefits of The Com-Pak Plus. Cadet recommends a wall-mounted thermostat for optimum performance, or you may prefer the convenience of an optional built-in thermostat.

Architectural Information:

Fan forced electric air heaters shall be UL Listed, factory rated at 208V or dual field rated from 208V to 240V. A painted 20 gauge wall mounting can with four knockouts and 79 cubic inch wiring compartment shall be provided with each complete heater. Heater shall be of unitized construction and attach to the wall can with two screws and shall be self-contained and completely separate from the wall mounting can. Two elements shall be nichrome type wrapped on mica insulators with two oversized 25 amp at 240V high temperature manual reset limit switches and two over temperature thermal backups. Two independent two-stage centrifugal blowers shall be driven by impedance protected motors. The motors shall be totally isolated from the heating chamber. Metal grill shall be of one piece, 20 gauge construction and finished with a powder coat paint system.

Carton Details

Heat Assembly Only Carton

| | |
|--------------------|--------------------------|
| DIMENSIONS | 17.75"W x 15"H x 5.875"D |
| PALLET QTY. | 48 |
| CUBE | .90 |

Complete Unit Carton

| | |
|--------------------|--------------------------|
| DIMENSIONS | 17.75"W x 15"H x 5.875"D |
| PALLET QTY. | 48 |
| CUBE | .90 |



HEATER ASSEMBLY WITH THERMOSTAT



WALL CAN

The Com-Pak Twin

PHONE 360.693.2505
 FAX 360.694.8668
 WEB www.cadetco.com



General Information:

Model may be ordered with or without built-in thermostat. For optimum comfort a Cadet electronic or dual diaphragm thermostat may be used (check amperage rating). Single pole and double pole field mount thermostat kits available. Fan heaters and thermostats work best when installed on an inside wall. UL requires heater to be placed a minimum distance of 6" from adjacent surfaces and 4.5" from the floor. Manufacturer recommends installation 12" from all surfaces. A 3' (91.44cm) minimum clearance is recommended for furniture or other objects placed directly in front of heater.

NOTE: Manufacturer recommends installing heater assembly after walls are finished. However, if installation is necessary before walls are finished, use the paint mask provided. Heater must be cleaned every six months minimum.

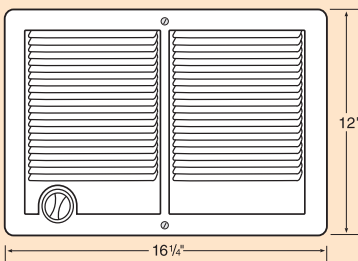
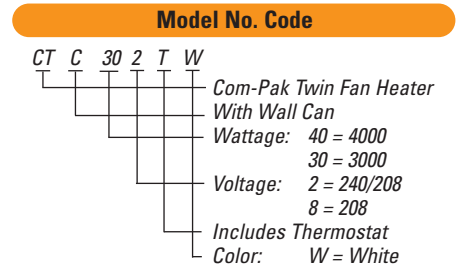
Ordering Information:

Suffix "T" in model number denotes built-in single pole thermostat. Model numbers without a "T" require a thermostat. Recommended for elevations under 7500 feet. Complete unit available in white only.

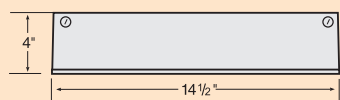
| UPC Code | | | | WATTS | | AMPS | | | Wt./Lbs |
|----------------|----------|--------------------------------------|------|-------|------|-------|-------|------|---------|
| Part# | Model# | Description | 240V | 208V | 120V | 240V | 208V | 120V | |
| 027418 67527 9 | CTC402TW | Complete Unit w/ Thermostat, White | 4000 | 3000 | | 16.67 | 14.42 | | 13 |
| 027418 67526 2 | CTC302TW | Complete Unit w/ Thermostat, White | 3000 | 2250 | | 12.5 | 10.82 | | 13 |
| 027418 67529 3 | CT402 | Heater Assembly Only - No Thermostat | 4000 | 3000 | | 16.67 | 14.42 | | 6.5 |
| 027418 67528 6 | CT302 | Heater Assembly Only - No Thermostat | 3000 | 2250 | | 12.5 | 10.82 | | 6.5 |
| 027418 67530 9 | CT408 | Heater Assembly Only - No Thermostat | | 4000 | | | 19.23 | | 6.5 |
| 027418 67532 3 | CT402T | Heater Assembly Only w/ Thermostat | 4000 | 3000 | | 16.67 | 14.42 | | 7 |
| 027418 67531 6 | CT302T | Heater Assembly Only w/ Thermostat | 3000 | 2250 | | 12.5 | 10.82 | | 7 |
| 027418 67533 0 | CT408T | Heater Assembly Only w/ Thermostat | | 4000 | | | 19.23 | | 7 |

| UPC Code | | | | | |
|----------------|--------|---|---------|--|--|
| Part# | Model# | Description | Wt./Lbs | | |
| 027418 67089 2 | CTGW | Single CT Grill, White | 2.5 | | |
| 027418 67090 8 | CTGA | Single CT Grill, Almond | 2.5 | | |
| 027418 68005 1 | CTC | CT Wall Can Single Pack | 3.5 | | |
| 027418 68070 9 | CTAMA | 18.5" x 22" Metal Adapter Plate CT Series, Almond | 3 | | |
| 027418 68075 4 | CTAMW | 18.5" x 22" Metal Adapter Plate CT Series, White | 3 | | |
| 027418 69100 2 | CTS4A | 4" Surface Mount Metal Adapter, Almond | 6 | | |
| 027418 69104 0 | CTS4W | 4" Surface Mount Metal Adapter, White | 6 | | |
| 024718 67063 2 | CTT1W | Single Pole Field Mount Thermostat Kit, 22 amp, White | .25 | | |
| 027418 67064 9 | CTT2W | Double Pole Field Mount Thermostat Kit, 22 amp, White | .25 | | |
| 027418 67065 6 | CTT1A | Single Pole Field Mount Thermostat Kit, 22 amp, Almond | .25 | | |
| 027418 67066 3 | CTT2A | Double Pole Field Mount Thermostat Kit, 22 amp, Almond | .25 | | |
| 027418 67067 0 | CTTP | Tamper Proof Field Mount Single Pole Thermostat Kit, 22 amp | .25 | | |

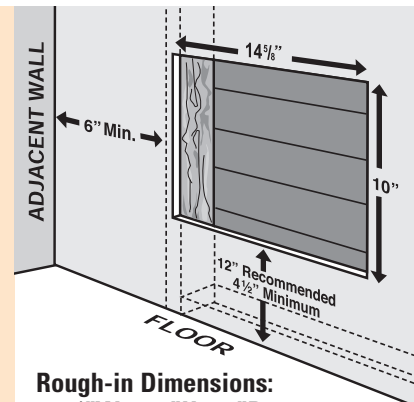
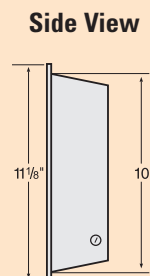
ACCESSORIES



Grill Dimensions:
16 1/4"W x 12"H



Wall Can Dimensions:
14 1/2"W x 11 1/8"H x 4"D



Rough-in Dimensions:
14 5/8"W x 10"H x 4"D