



Bottle Opener Kit

Kit Features:

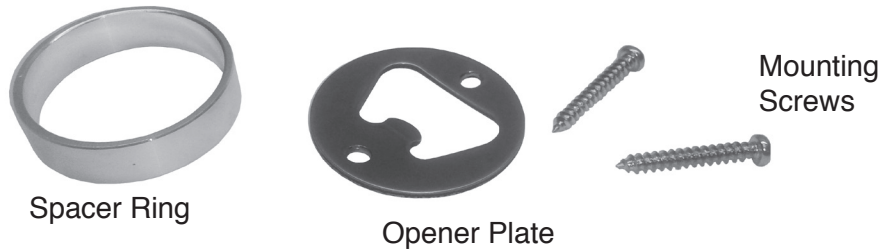
- Easy to turn
- Easy to use
- Minimum parts - easy to assemble
- Available in multiple finishes
- Magnet option

Required Accessories:

- 40mm Forstner Bit #PK40MM
- 5/8" to 1" Diameter Drive Center
- Parting Tool
- Blank: 2" square (min size) x 3-1/2" to 4" Long
- 3/8" earth magnets (optional)



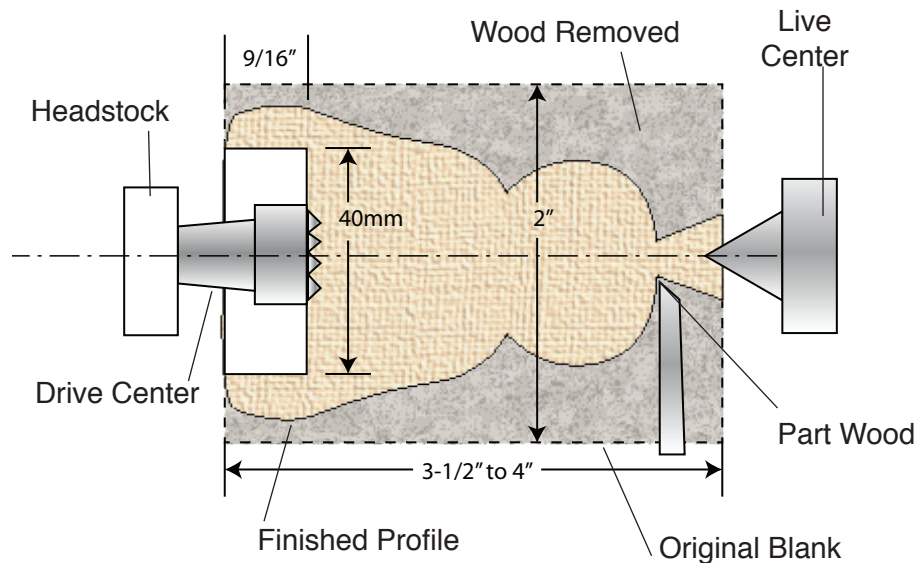
DIAGRAM A / PARTS LAYOUT



Preparing & Turning the Blank: (Style A)

- Mark the center on both ends of the blank.
- Drill a 40mm Diameter hole 9/16" deep.
- Mount the blank between drive center (headstock) and a live center (tailstock). See Diagram B
- Turn the bottle opener to the design of your choice leaving a secure piece on the live center. (see Diagram A)
- Sand and finish the wood.
- Use a parting tool to cut a narrow neck at the live center.
- Part the wood and catch your work piece.
- Finish the end by hand.

DIAGRAM A / TURNING THE BLANK Style A



Preparing & Turning the Blank: (Style B)

- Mark the center on both ends of the blank.
- Mark the center on one of the four surfaces.
- Drill a 40mm hole on the surface, 3/4" deep.
- Mount the blank between centers (see Diagram B).
- Turn the wood to the profile. Keep the center part of the wood to 2" dia. (*this will effect the depth of the finished hole*)
- Leave secured connections on both ends to keep the blank intact while finishing.
- Finish the opener, sand and polish.
- Use a parting tool to trim the ends loose.
- Finish the ends by hand. sand and polish

DIAGRAM B / TURNING THE BLANK Style B

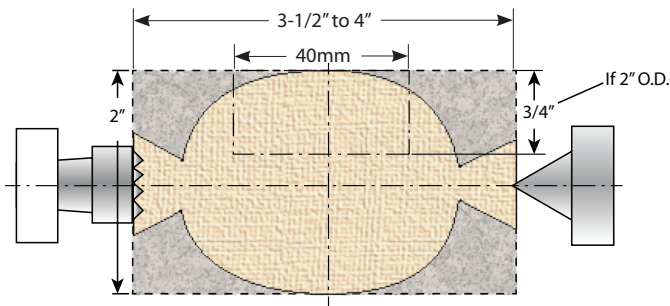
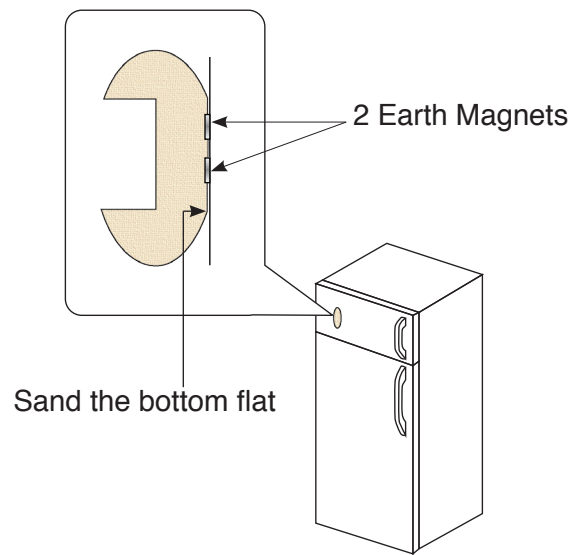


DIAGRAM C / REFRIGERATOR MAGNET (OPTIONAL) Style B



Make a refrigerator magnet: (see Diagram C)

- Sand the bottom flat.
- Mark and drill (2) 3/8" holes 1/16" deep.
- Use CA or Epoxy glue. Affix magnets and let dry.

Assembly:

- Insert the opener plate into the hole and mark the location of the mounting holes. Drill two small pilot holes.
- Insert the spacer ring into the hole, followed by the opener plate. Make sure the tang is pointing inward.
- Screw together with 2 mounting screws.
- Opener is ready to use.