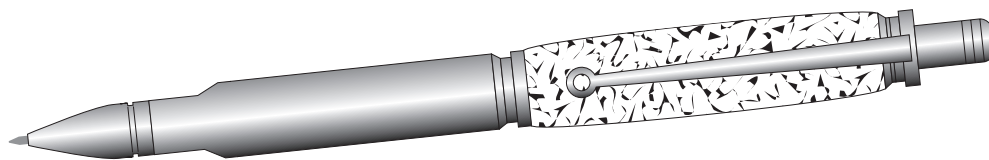


BULLET CARTRIDGE CLICK 2mm Pencil Kit



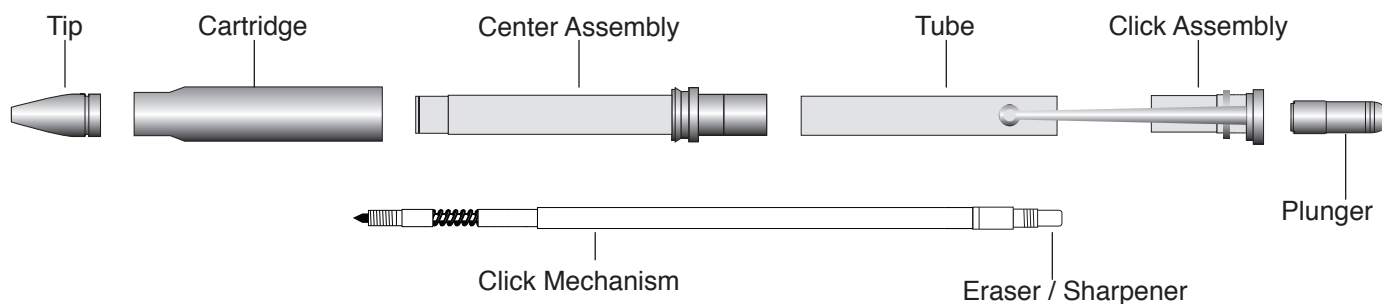
KIT FEATURES

- Replicates an actual 30-caliber shell casing
- Click-type mechanism, replace with 2mm lead.
- Bull's-Eye Clip Style
- Overall length is 5-5/8"
- Built-in lead sharpener

REQUIRED ACCESSORIES

- 7mm, Pen Mandrel
- 8mm Drill Bit
- 2-piece Bushing Set #4036
- Universal Barrel Trimmer system
(Use 8mm Shaft)
- 2-part epoxy glue or Insta-cure (cyano acrylate) glue

DIAGRAM A • PARTS



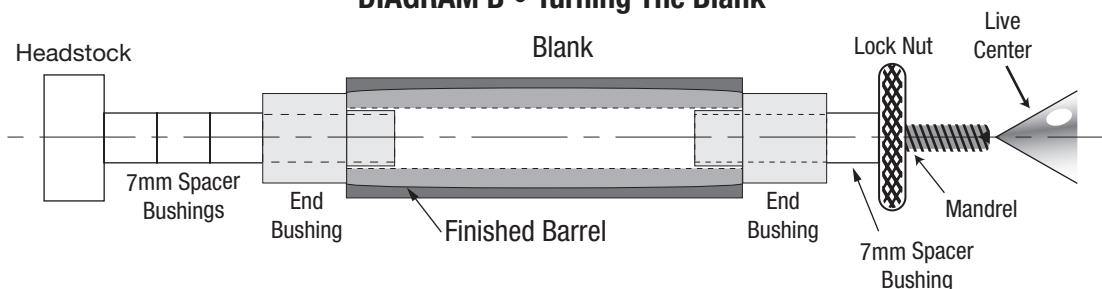
PREPARING THE BLANK

- Cut 5/8" square blank to the size of the Brass Tube. Add 1/16" to each end for squaring off.
- Drill an 8mm hole through the center of the blank.
- Apply glue to the tube and insert it into the blank with a twisting motion to spread the glue evenly. Center the tube within the blank and allow to dry.
- Use a barrel trimmer to square the ends of the blank to the brass tube.

TURNING THE BLANK

- Place spacer bushings on the mandrel. Place one end bushing on, followed by the prepared blank.
- Assemble the second end bushing. Follow with additional spacer bushings as needed.
- Thread the lock nut hand tight onto the mandrel. Do not overtighten, it could damage the mandrel.
- Bring tailstock snug to the mandrel and lock it into place. Tighten the lock nut for turning.
- Using sharp tools, turn the blank down and sand it to the size of the end bushings.
- Finish the blank with your choice of polish.

DIAGRAM B • Turning The Blank



NOTE: Please do not press the front end of this kit with the tip removed. If you do so the parts will not assemble properly and you will void our warranty

ASSEMBLY

- Line up the pen parts according to DIAGRAM C.
- Press the clip assembly into either end of the barrel.
- Press the center assembly into the opposite end of the barrel.
- Screw the plunger over the eraser and slide the pencil mechanism through the hole at the upper end.
- Slide the cartridge over the center assembly.
- Push the mechanism down and screw the tip end over the exposed thread at the bottom.
- Click on the plunger to advance the lead. Press on the plunger, hold and push in the lead to retract.
- To use the eraser, just unscrew the plunger.
- To replace the lead, pull the plunger/eraser off and drop a new lead in, replace plunger/eraser and click until exposed.
- To sharpen the 2mm lead, remove the eraser end piece, and insert the lead in the hole. Sharpen by twisting.

DIAGRAM C • ASSEMBLY

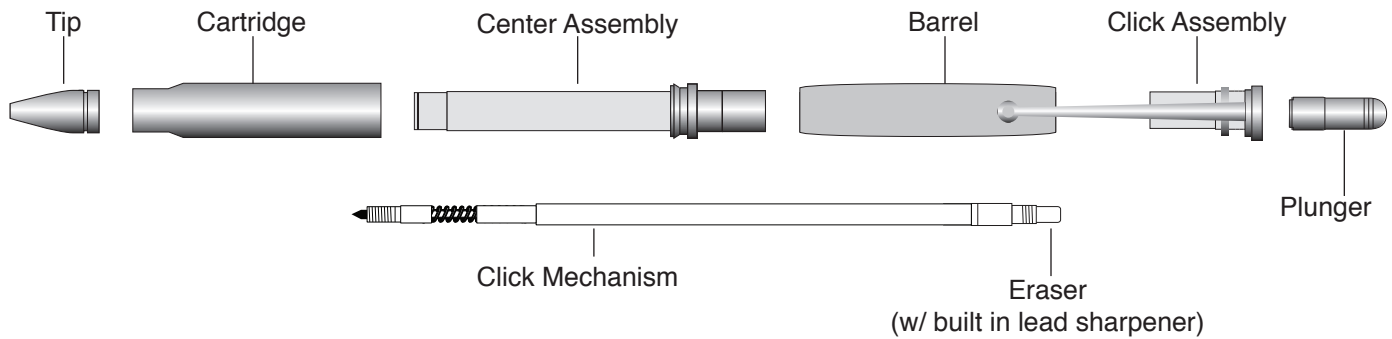


DIAGRAM D •

