

# Contents

## 1. How to Install Each Adapter

- ① J - Hook
- ② Pinch Tab Button
- ③ Narrow Pinch Tab Button
- ④ Pinch Tab
- ⑤ Pinch Tab Clone
- ⑥ Slide Pin
- ⑦ Narrow Slide Pin

## 2. How to Use Wiper

## 3. Precautions

## 4. How to Replace the Blade

- Please read the manual carefully to make good use of the product.
- The look and size of the products are subject to change without prior notice for the purposes of quality improvement.
- The images in this manual may differ from the actual product you have purchased. However, there is no difference in the product performance and method of use than the manual portrays.

## 1. How to Install Each Adapter



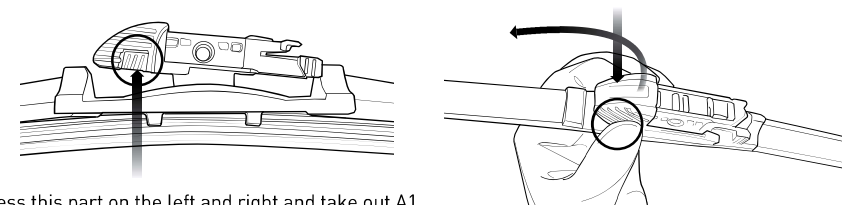
If you scan the QR code, you will be redirected to a video on how to install each adapter.

### ① J-Hook



Type	Adapter	Instruction
J-HOOKS (9*3,9*4mm)	A+A1+A3  A  A1  A3	<p>1) Attach the U-shaped hook to the blade firmly. 2) Close and fix A1. 3) Mount A3 on A</p>

#### How to open A1 cover



Press this part on the left and right and take out A1.

## 1. How to Install Each Adapter

### ② Pinch Tab Button



Type	Adapter	Instruction
PTB(19mm)	A+A1	<p>Pinch Tab Button</p> <p>1) Slide the arm into position A until it locks securely.</p>

## 1. How to Install Each Adapter

### ④ Pinch Tab



Type	Adapter	Instruction
I&L (PINCH TAB)	A+A2	<p>Pinch Tab</p> <p>1) Align the notched part of the arm with the plastic lever. 2) Insert the plastic lever so that it is firmly fixed to the arm. 3) Lock A2.</p>

### ③ Narrow Pinch Tab Button



Type	Adapter	Instruction
NARROW PTB (16mm)	B+B1	<p>Narrow Pinch Tab Button</p> <p>1) Slide the arm to B+B1 until it is secure.</p>

### ⑤ Pinch Tab Clone

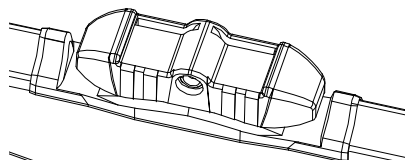
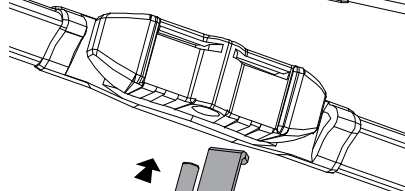
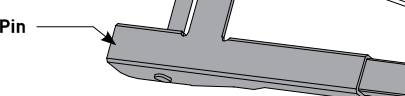
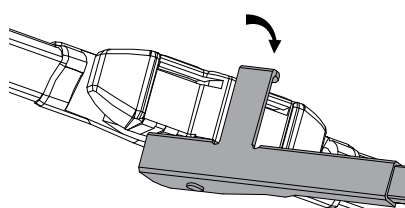
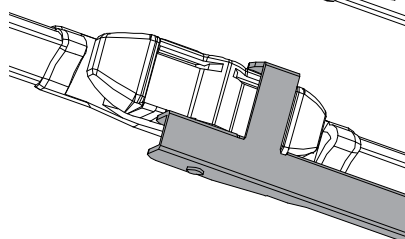


Type	Adapter	Instruction
I&L (CLONE)	A+A2	<p>Pinch Tab Clone</p> <p>1) Thread the end of A and the tab in the arm. 2) Make sure that the plastic lever is firmly fixed to the arm and close to the horizontal. 3) Lock A2.</p>

## 1. How to Install Each Adapter

### ⑥ Slide Pin

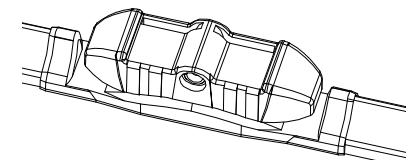
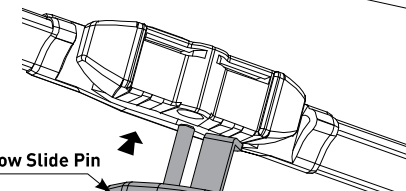
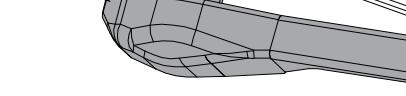
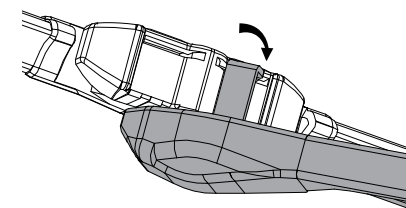
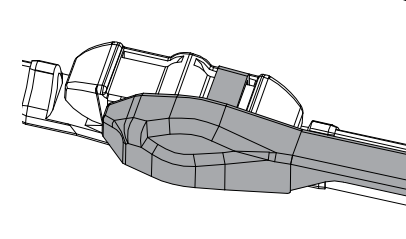


Type	Adapter	Instruction
P&H(SLIDE PIN) (22mm)	C	     <p>Slide Pin</p> <ol style="list-style-type: none"> <li>1) Align the pin of the arm with the hole of the C adapter.</li> <li>2) Attach the hook of the arm to C and fix it.</li> </ol>

## 1. How to Install Each Adapter

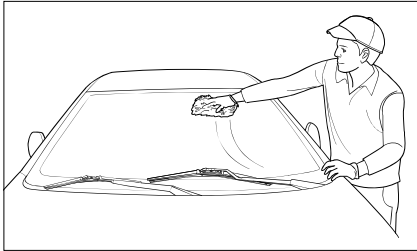
### ⑦ Narrow Slide Pin



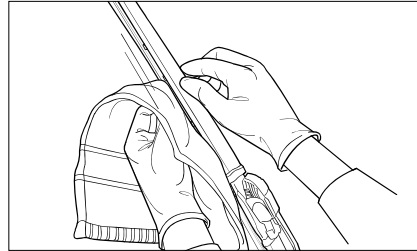
Type	Adapter	Instruction
NARROWP&H (SLIDE PIN), (17mm)	C	     <p>Narrow Slide Pin</p> <ol style="list-style-type: none"> <li>1) Align the pin of the arm with the hole of the C adapter.</li> <li>2) Insert the hook of the arm into the groove of C and fix it.</li> </ol>

## 2. How to Use Wiper

It is all right to use the product with the wiper installed. However, the following are recommended by KIMBLADE for optimal performance.

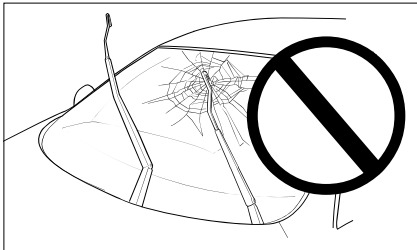


1) Before installing the wiper for the first time, clean the car windshield and operate the wiper for 3-5 minutes on a dry surface before use.

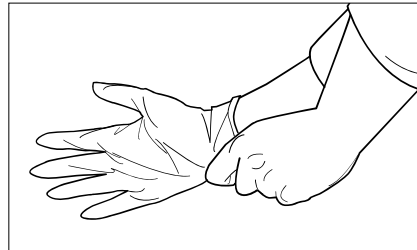


2) When the wiper or water repellent coating does not seem to work well, clean the windshield and wiper blade and operate the wiper for 3-5 minutes on a completely dry surface before use.

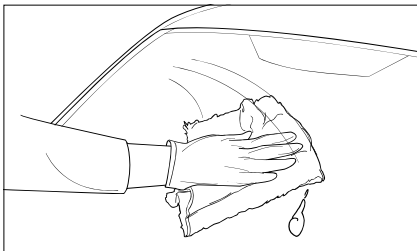
## 3. Precautions



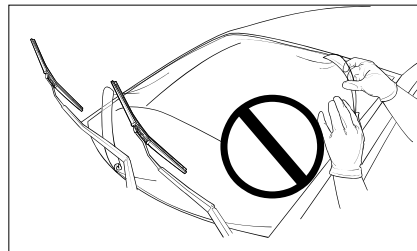
1) Make sure that the wiper arms do not make contact with the windshield while the wiper is being replaced. It can break the windshield.



2) Wear gloves while replacing the wiper blades and silicone refills to protect your hand.



3) Do not remove the stickers or hardened foreign objects (e.g. tree resin, bird feces) on the windshield with the wiper. Use another method (preferably a soft cloth) to remove them.



4) Do not attach any kind of glass coating, chemical substances, or films on to the surface of the windshield. It can cause wiper noise or shaking.

## 4. How to Replace the Blade

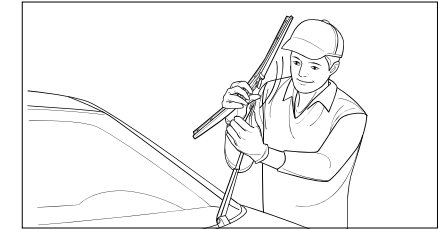
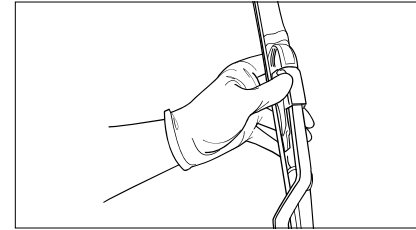


If you scan the QR code, you will be redirected to a video on how to replace the blade.



Caution: Be sure to wear gloves.

1) Remove the wiper from your car.

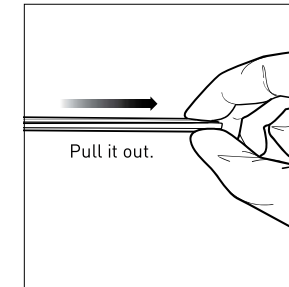
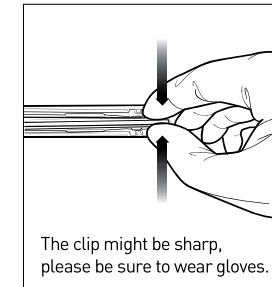
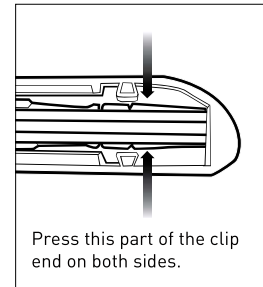


2) Press the end clip attached to the wiper and remove the blade from the wiper.

① Blade installation

② Pressing the end clip

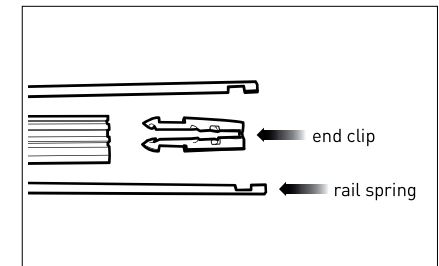
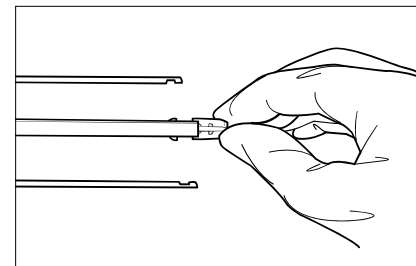
③ Remove blade by pressing the end clip.



3) Remove the rail spring and end clip attached to the blade.

① Remove the end clip.

② Remove both the rail spring and the end clip.

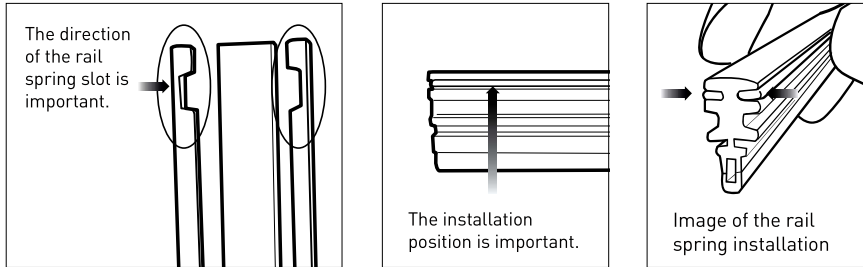


**[ Order ]** 1. First, remove the rail spring. 2. Remove the end clip.

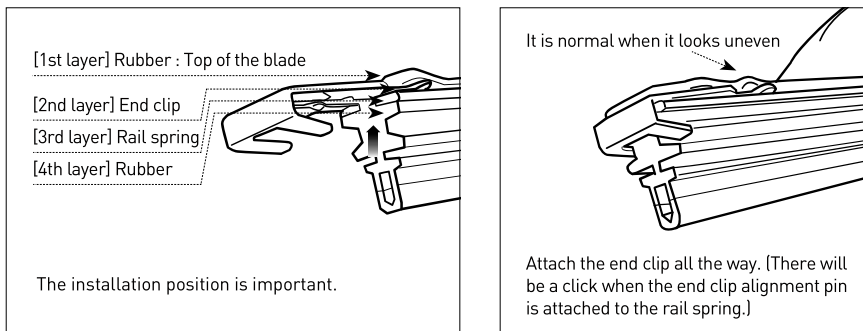
## 4. How to Replace the Blade

- 4) Attach the rail spring to a new blade in the right direction and install the end clip.  
 \* If the end clip is deformed or damaged, replace it with a new end clip included.

- ① Make sure the rail spring slot is assembled in the direction of the blade.

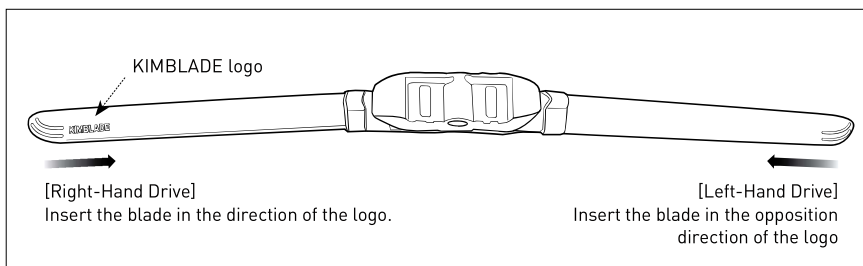


- ② Attach the end clip to the rail spring in the right direction.



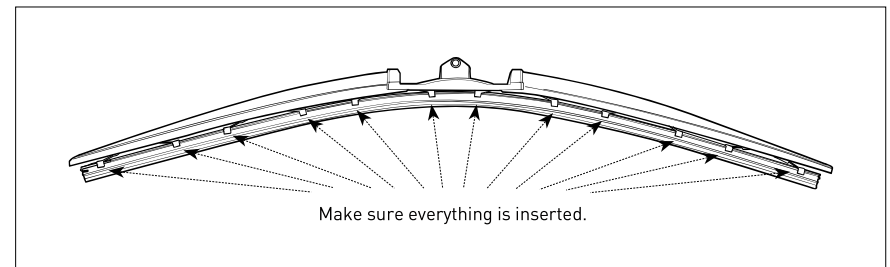
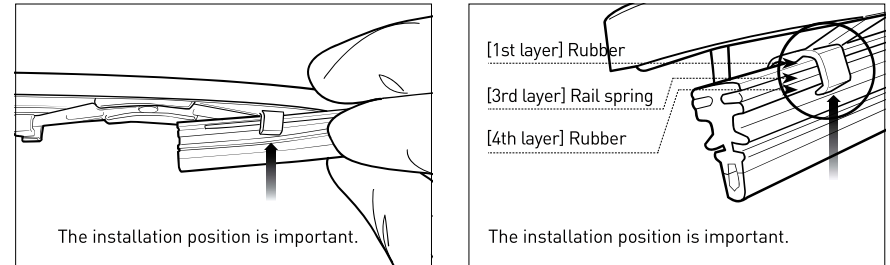
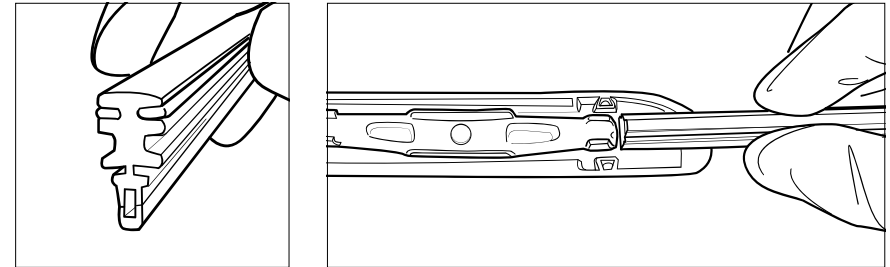
- 5) Push the blade to the end of the frame in the right direction.

- ① Check the direction of the KIMBLADE logo and turn it over.



## 4. How to Replace the Blade

- ② Check the area with no end clip. ③ Insert the blade from the end of the frame in the direction corresponding to the direction of the driver's seat.



- ④ Push the end clip until it is inserted all the way.

