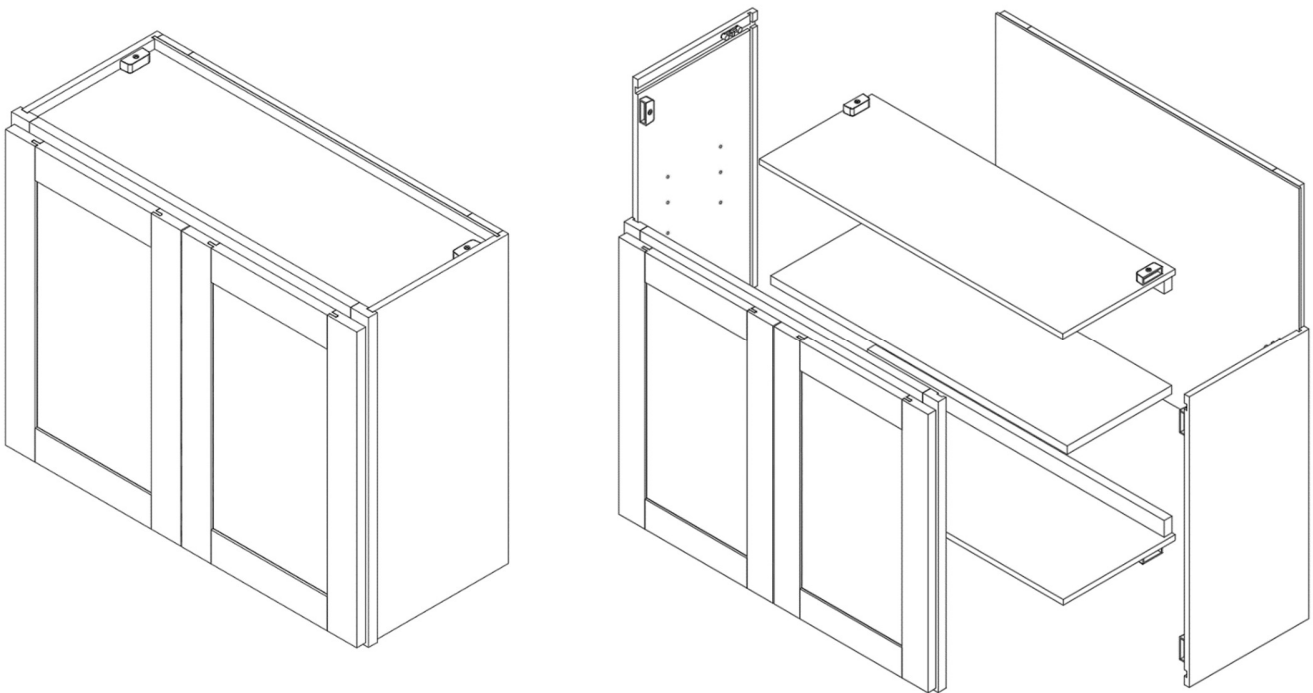


**CABINETS  
TO GO** WOW  
FOR  
LESS.




## ASSEMBLY INSTRUCTIONS



These assembly instructions are only applicable for all Wall Cabinets

with 2 Doors & 1 Shelf

**ITEM# WC3024, WC3624**



**WOW  
SERVICE**

**ATTENTION:** For questions or concerns about your cabinets, assembly or installation, please contact our dedicated Customer Care Team at **1-800-CABINET (222-4638)**. Our Customer Care associates are here for you every step of the way.

**► General Instructions:**

Thank you for purchasing a Cabinets To Go product. You are now the proud owner of a high quality product designed to face the test of daily use and guaranteeing your enjoyment for many years to come.

Carefully read the instructions before starting the installation.

During assembly, please follow all generally accepted safety procedures.

Failure to adhere to the following instructions will invalidate the warranty and Cabinets To Go will decline any responsibility for any damages caused. Any installation which does not correspond to the instructions may result in defects, malfunctioning parts, significant damage and/or injury.

Before the assembly begins, check that all appropriate and required plumbing and electrical connections exist.

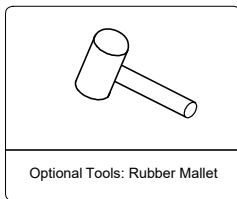
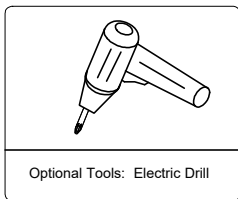
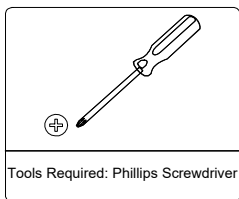
Before drilling, make absolutely sure that there are no pipes (gas, water, electricity, heating, etc.) at the drilling location. Cabinets To Go will not be held responsible for failure to follow these instructions.

PRIOR TO ASSEMBLY, PLEASE MAKE SURE YOU HAVE ONE FACE FRAME BOX AND ONE CARCASS BOX, WHICH HAVE ALL THE PARTS IN THE QUANTITIES MENTIONED BELOW. IF YOU ARE MISSING ANY PARTS, PLEASE STOP AND CONTACT CUSTOMER CARE IMMEDIATELY AT 1-800-CABINET.

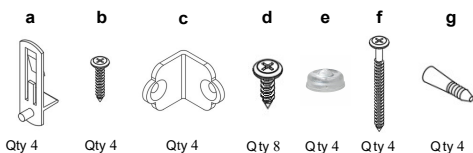
**► Items Quantity**

Item	Description	Qty
A	Left Side Panel	1
B	Right Side Panel	1
C	Back Panel	1
D	Top & Bottom Panel	2
E	Frame & Doors	1 Set
F	Shelf	1
Hardware Box	Shelf Clips 4pcs, ST25mm Screws 4pcs, Metal 90° Brackets 4pcs, 1/2" Round Head Screws 8pcs, Bumpers 4pcs, ST62mm Screws 4pcs, Wall Anchors 4pcs	

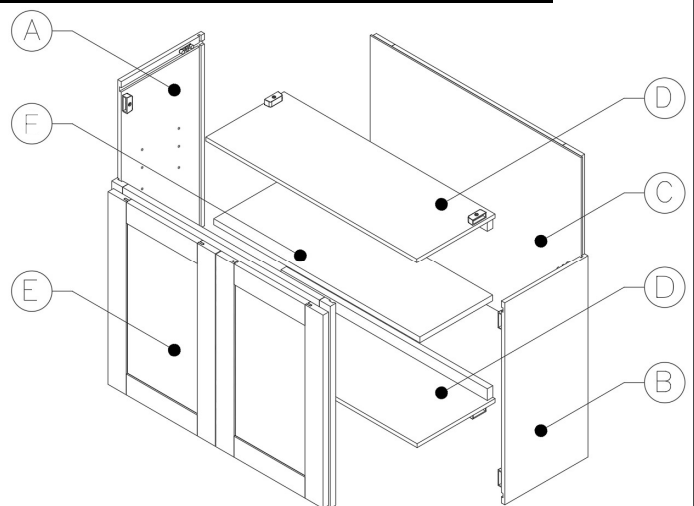
**► Required tools:**



**► Hardware Box:**



The materials listing above are for the largest unit in this instruction set. Smaller units may require less hardware and materials; therefore, your item may contain a smaller number of each.



1

Assemble the Side Panels (A,B) onto the Panels (D) by connecting the male and female cam locks and using a screwdriver to turn the lock clockwise. (Figure 1)

{NOTE: Lay cabinet parts on a flat smooth soft work surface to assemble.}

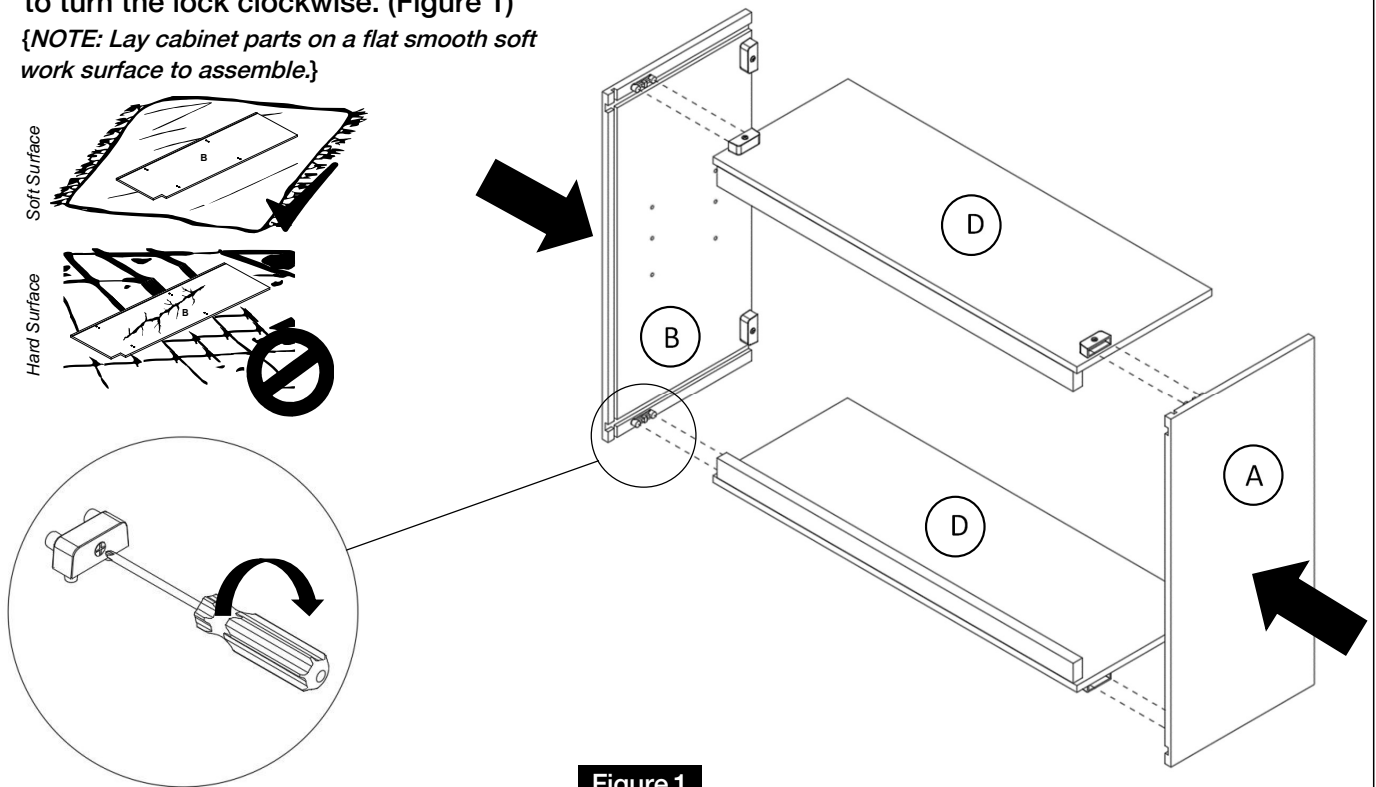


Figure 1

2

Attach the Frame (E) to the assembled panels. (Figure 2)

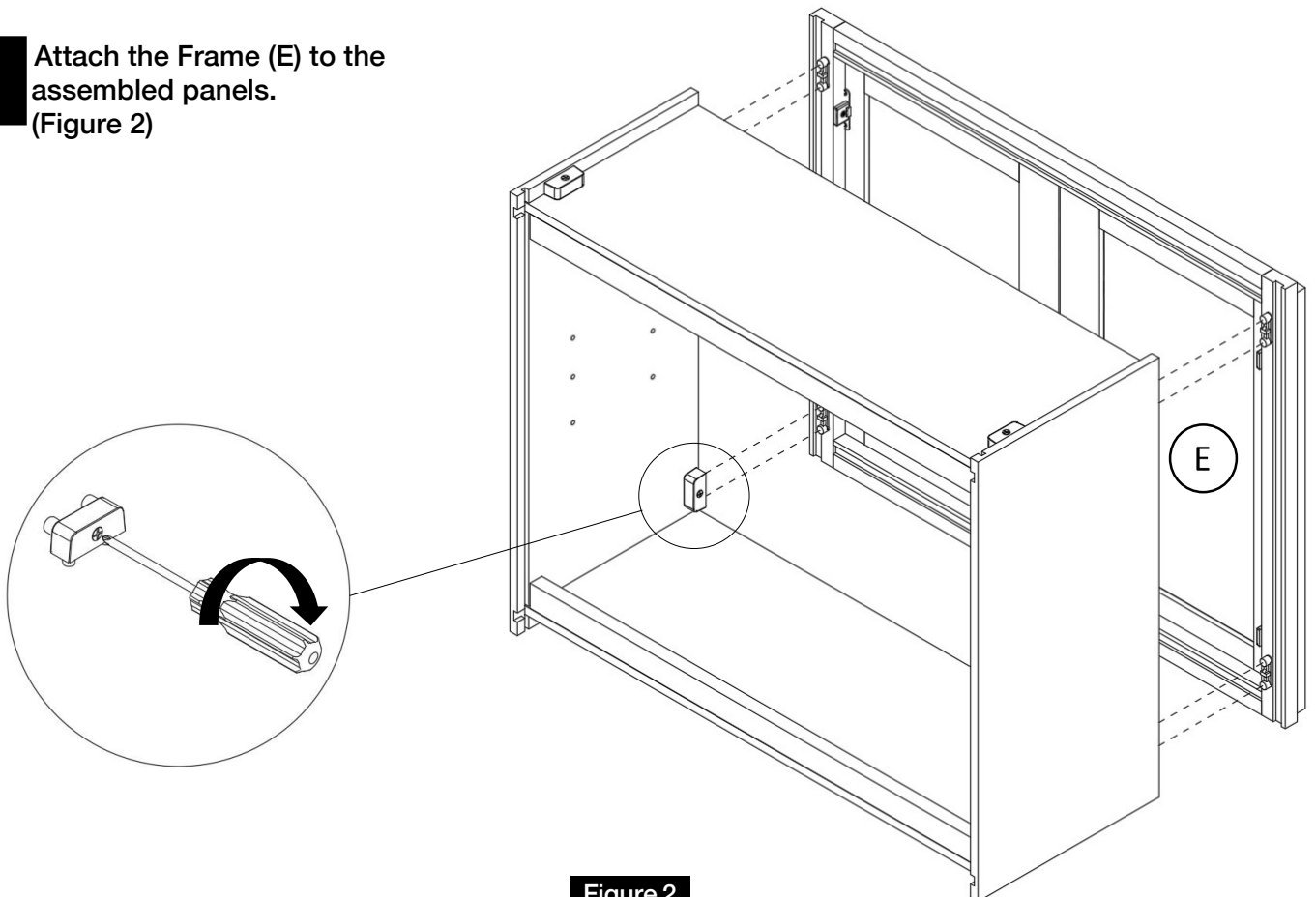
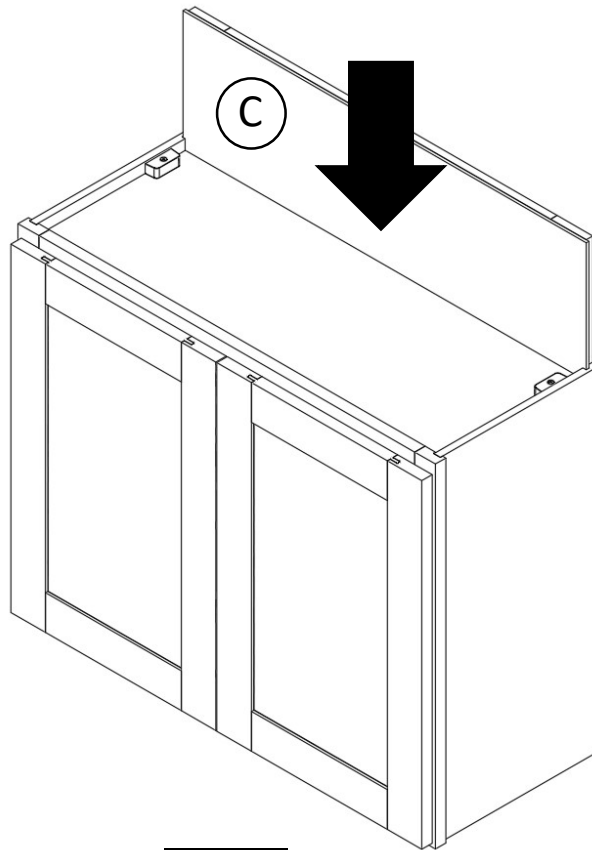


Figure 2  
Page 3

**3**

Install the Back Panel (C) by sliding it into the groove. (Figure 3)



**Figure 3**

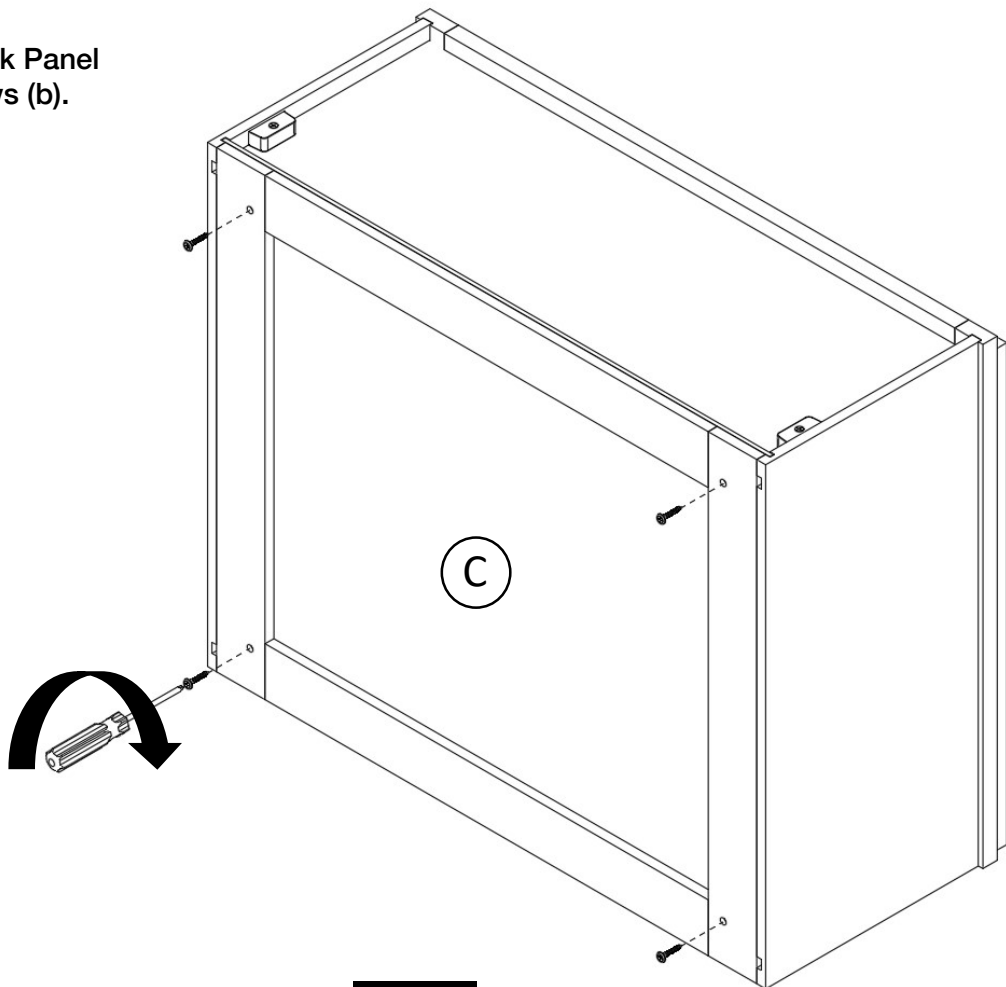
**4**

Attach the Back Panel (C) using screws (b). (Figure 4)

b



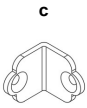
Qty 4



**Figure 4**  
Page 4

5

Install the metal brackets (c) using screws (d) to the corners of the frame and side panels on the top and bottom of the cabinet. (Figure 5)



Qty 4



Qty 8

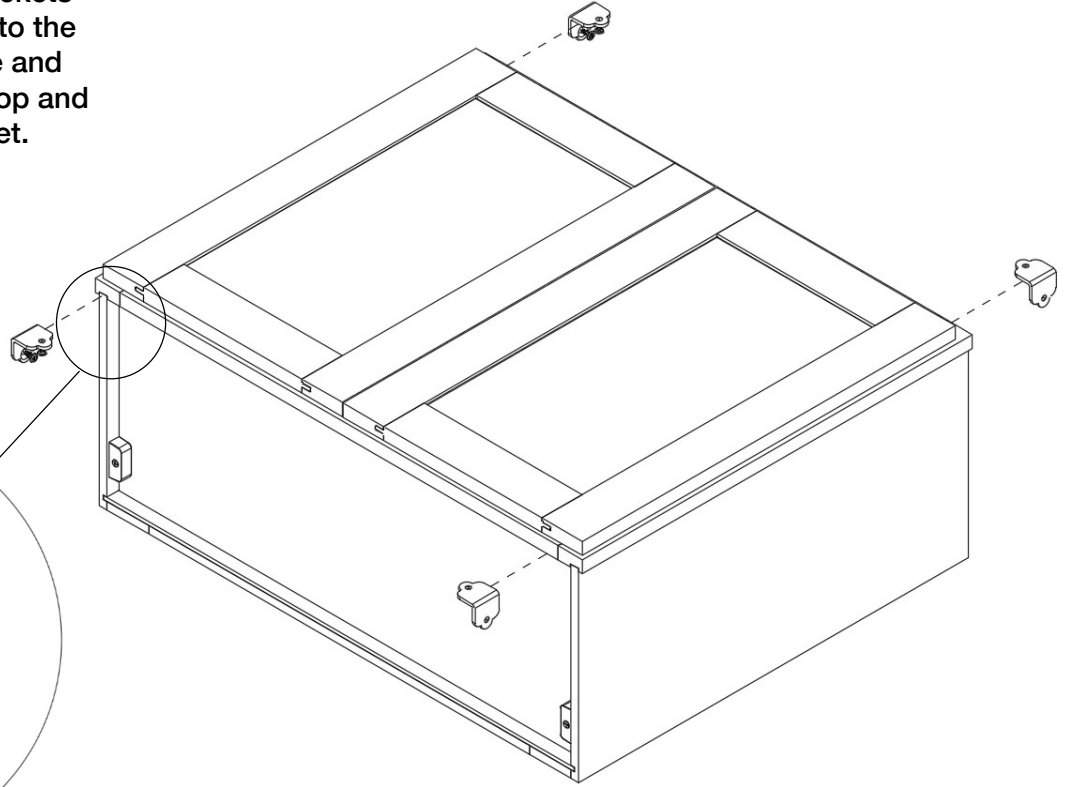
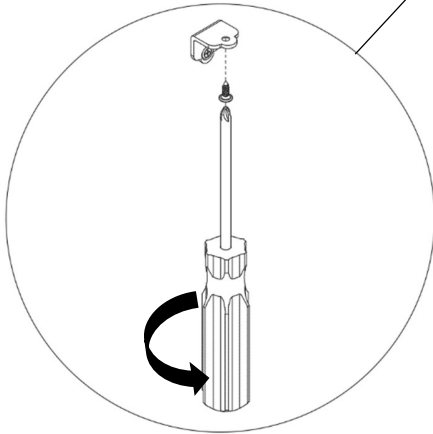


Figure 5

6

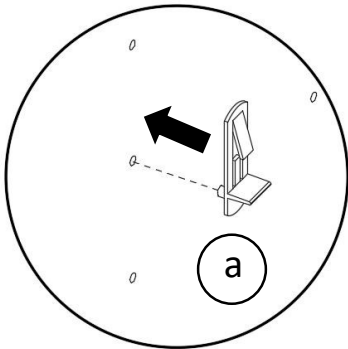
Install the shelf clips (a) into the desired locations of your choosing. Insert the shelves (F) onto the clips. Install the bumpers (e) onto the door at the corners where it comes in contact with the frame. (Figure 6)



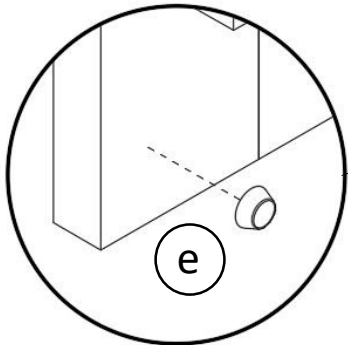
Qty 4



Qty 4



a



e

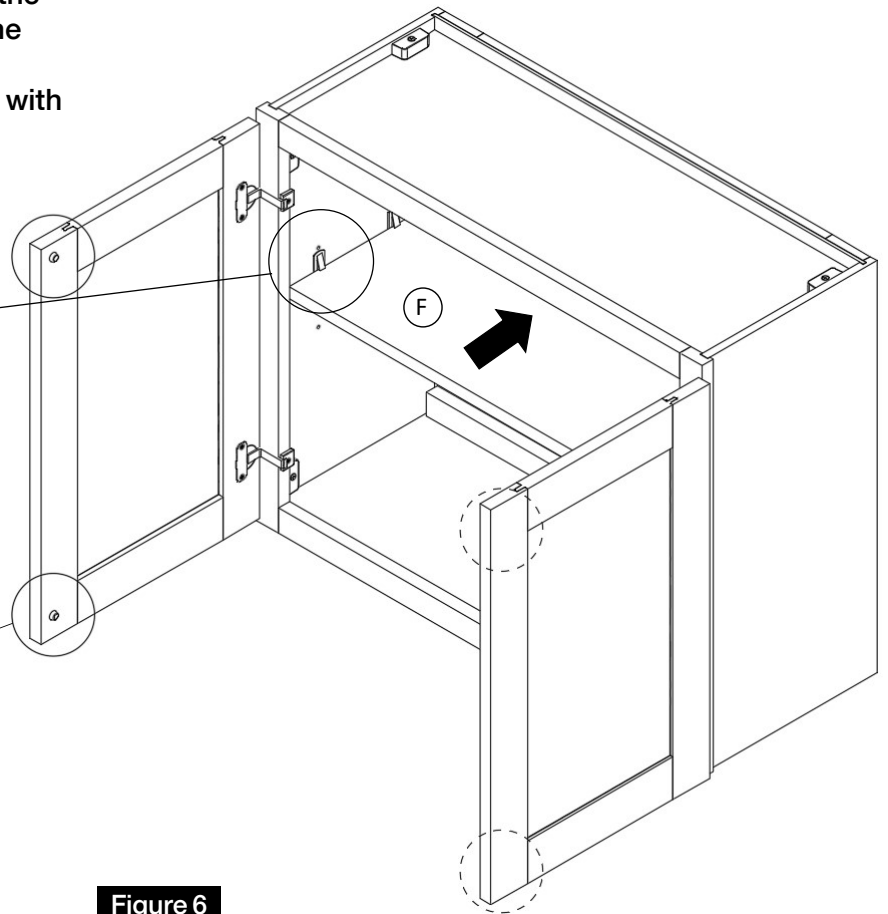


Figure 6  
Page 5

**► Maintenance**

For daily cleaning, use a dry cloth and a soft liquid cleaner.

Never use abrasive cleaners containing acetone, chlorine or strong bleach. Also, do not use tools as scrapers, metallic brushes, and other products which can scratch or tarnish surfaces.

Under no circumstances should you use chrome cleaner on chrome-plated or brass trim, hinges, handles, sockets etc.

Good ventilation is essential for maintaining the quality and look of this furniture.

**Warranty and Customer Care Information**

For the most up to date warranty information for your product, please visit our website - [www.cabinetstogo.com](http://www.cabinetstogo.com) to get the specific details. If you have any questions with warranties or to make a claim, please contact Customer Care by email - [customer care@cabinetstogo.com](mailto:customer care@cabinetstogo.com) or call 1-800-CABINET.