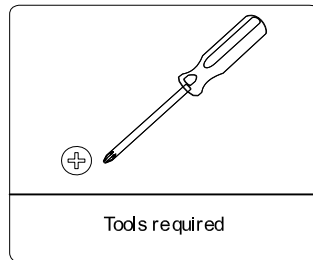
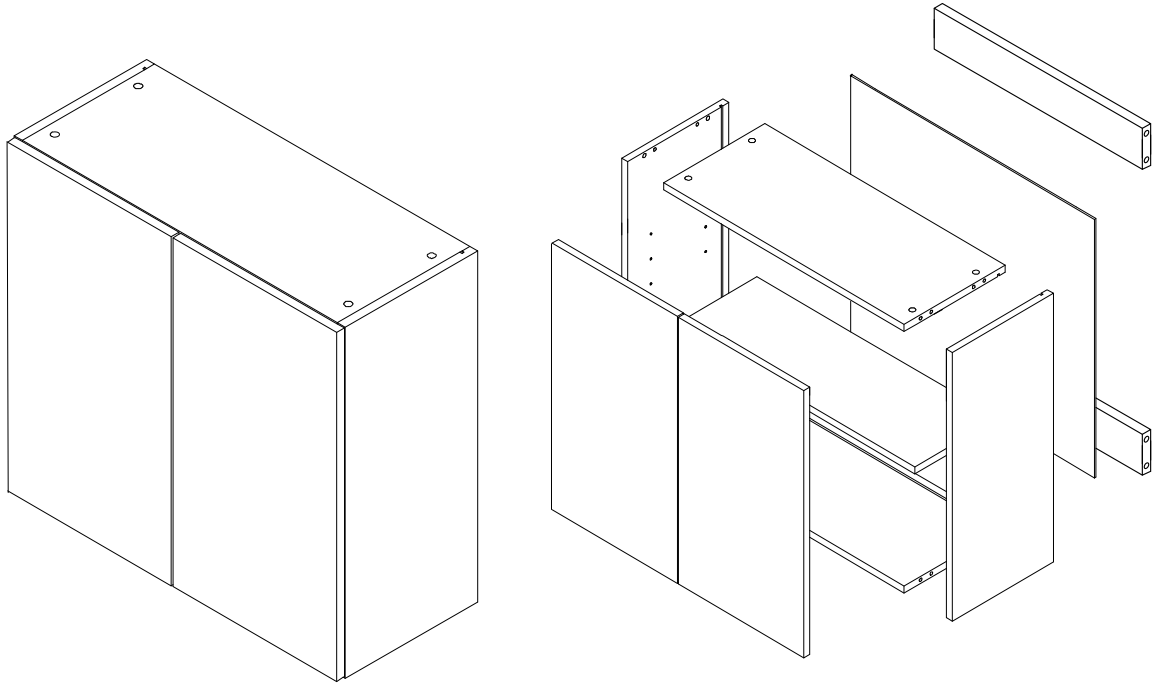




WC 3024

WC 3624



Assembly instructions

- . Carefully read the instructions before starting the installation.
- . During assembly, please follow all generally accepted safety procedures.
- . Check that all appropriate and required plumbing and electrical connections exist.

**If you are missing any part, please stop and contact us immediately at:
1-800-222-4638 opt.5**

CABINETS TO GO!
1-800-CABINET

Hardware Bag

a



Qty 12

b



Qty 12

d



Qty 8

e



Qty 4

f



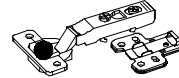
Qty 12

g



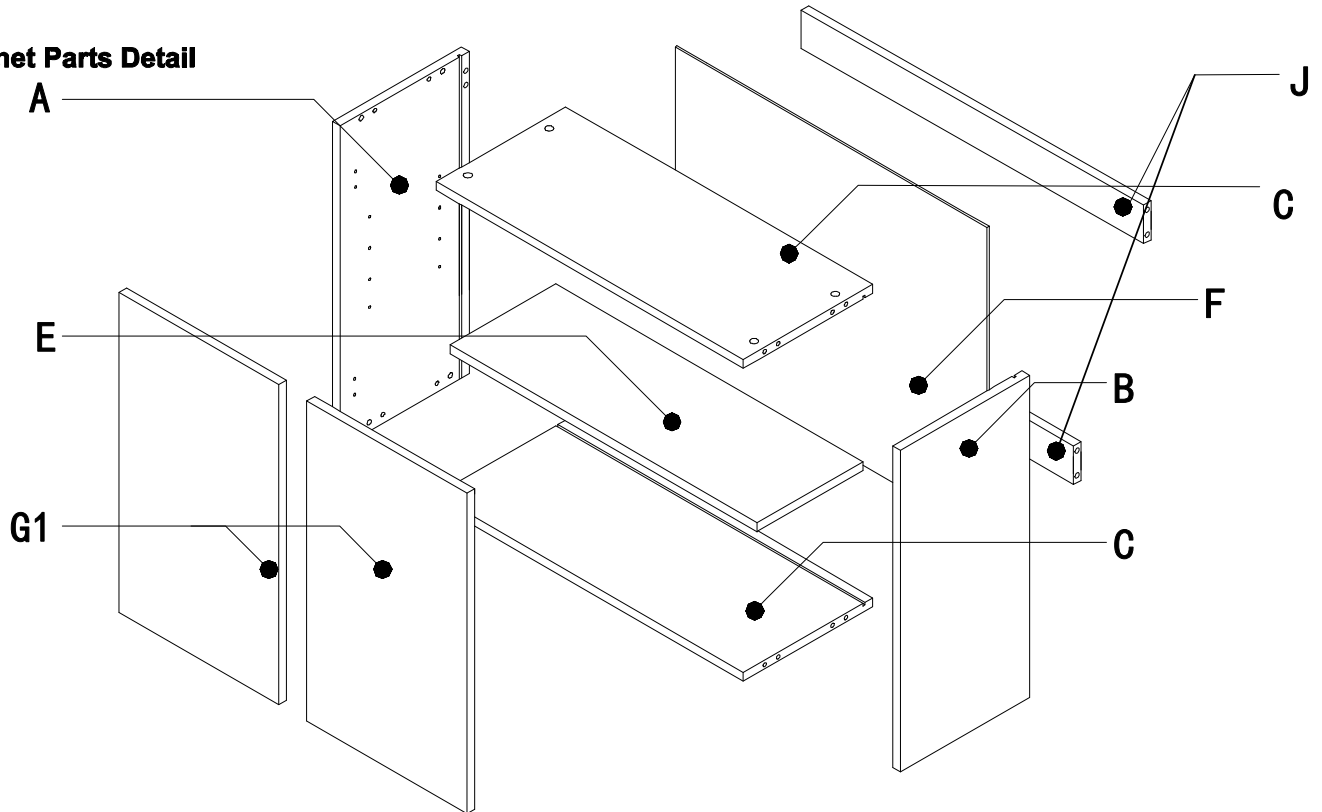
Qty 4

h



Qty 4

Cabinet Parts Detail



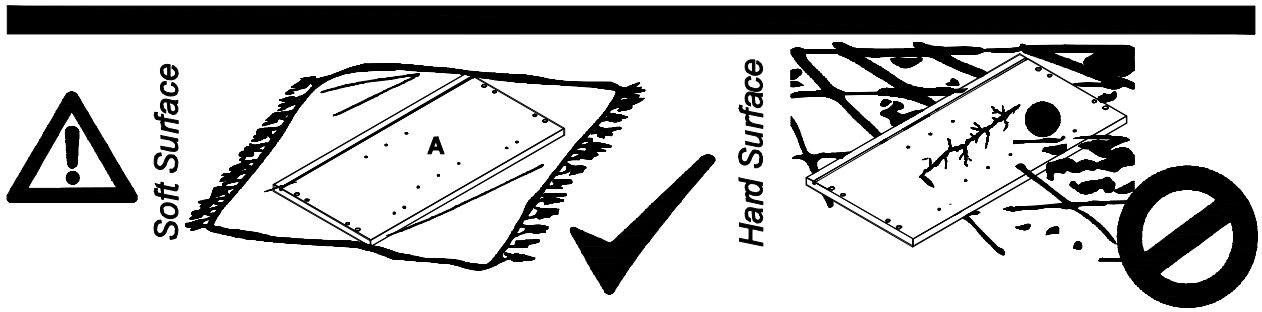
| NO. | Item |
|-----------|--------------------|
| B | side panel (right) |
| A | side panel (left) |
| C | Top&Bottom(panel) |
| F | back panel |
| E | shelf |
| G1 | door |
| J | Top back bar |

WC 3024

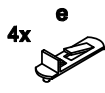
| NO. | Item | Qty |
|------------|----------------------------|------------|
| B | side panel (right) | 1 |
| A | side panel (left) | 1 |
| C | Top&Bottom(pane | 2 |
| F | back panel | 1 |
| E | shelf | 1 |
| G1 | door | 2 |
| J | Top back bar | 2 |

WC 3624

| NO. | Item | Qty |
|------------|---------------------------|------------|
| B | side panel (right) | 1 |
| A | side panel (left) | 1 |
| C | Top&Bottom(pan | 2 |
| F | back panel | 1 |
| E | shelf | 1 |
| G1 | door | 2 |
| J | Top back bar | 2 |

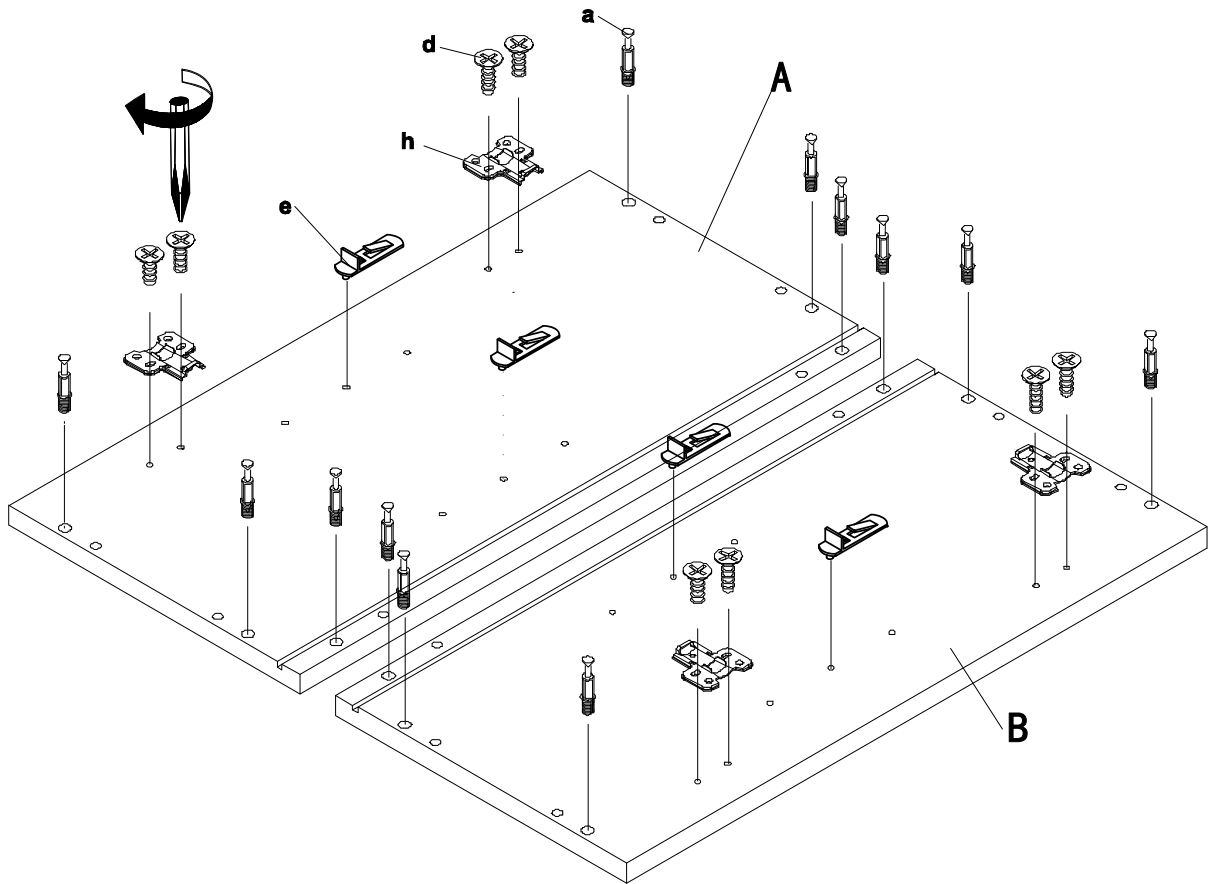
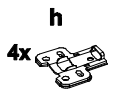


1


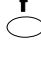


1x **B**

1x **A**



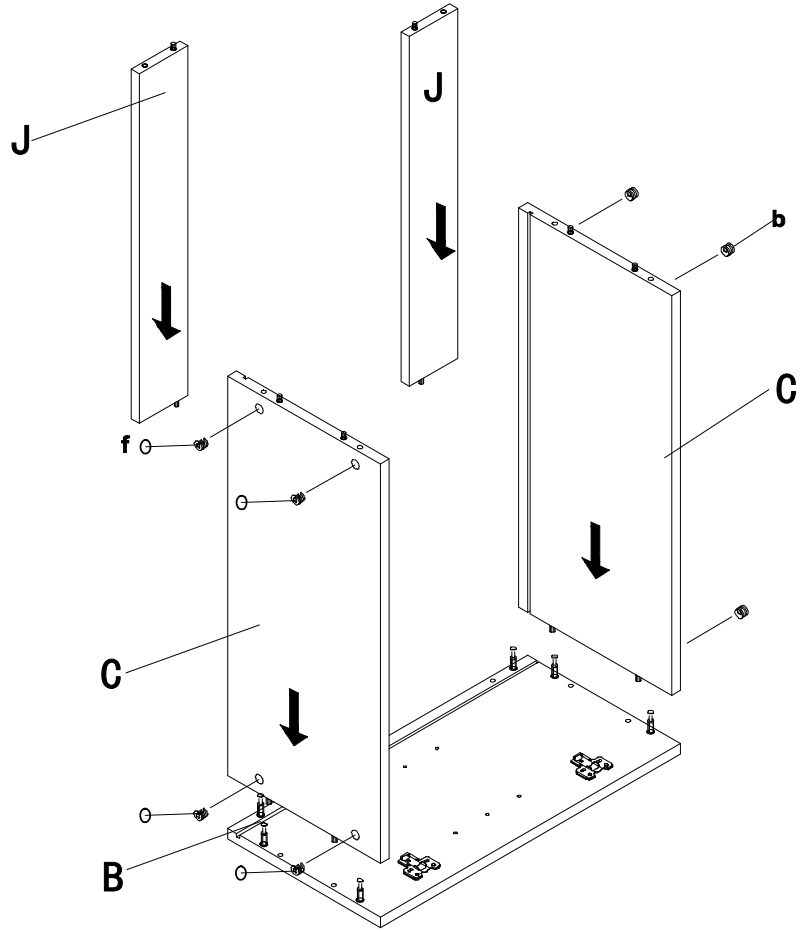
2

- 12x  **b**
- 12x  **f**
- 1x

2x **C**

2x **J**

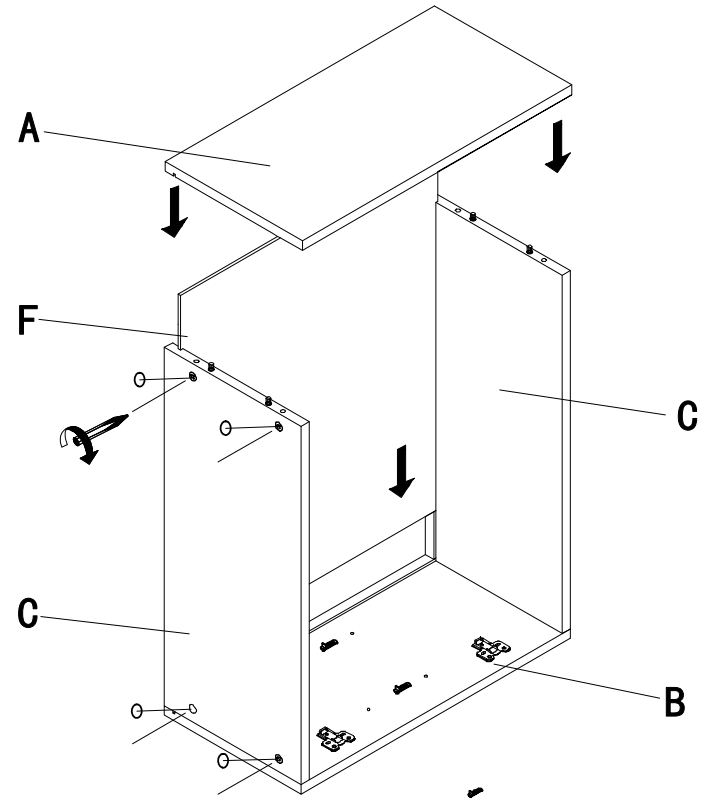
1x **B**



3

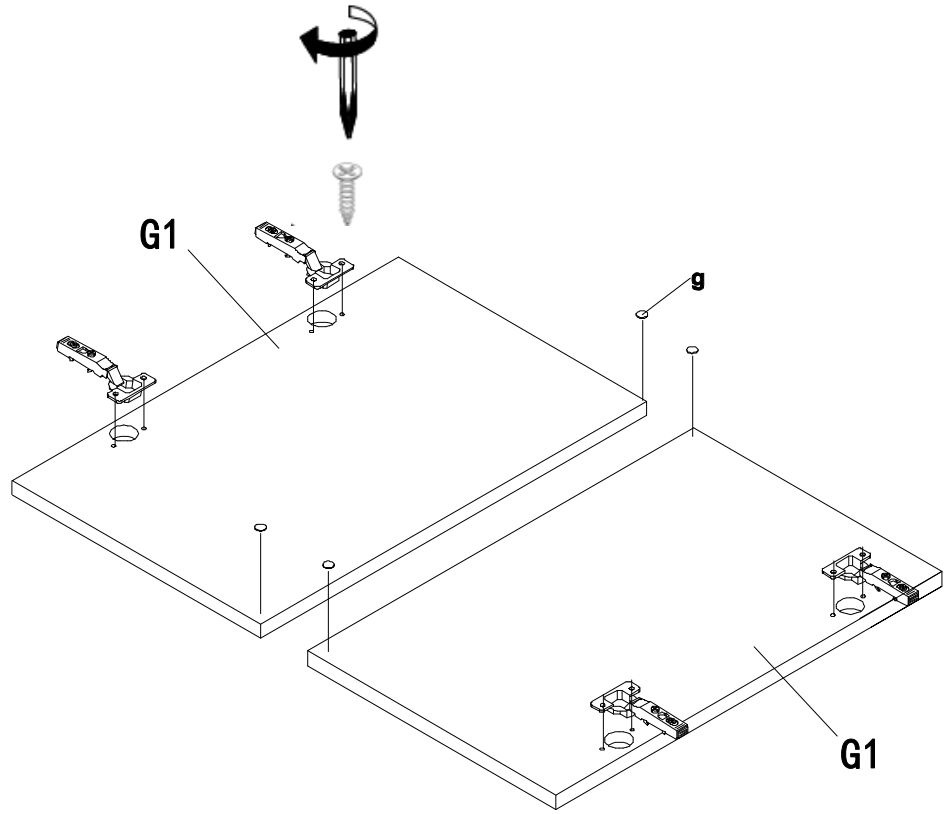
1x **A**

1x **F**



4

- 4x **h**
- 4x **g**
- 2x **G1**



5

- 1x **E**
- 2x **G1**

