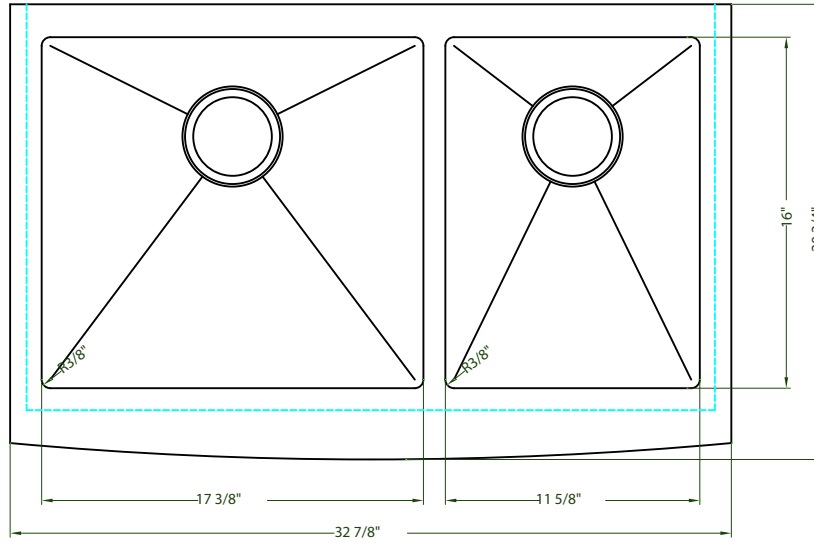


FRONT VIEW



OVERHEAD VIEW



— CUTOUT