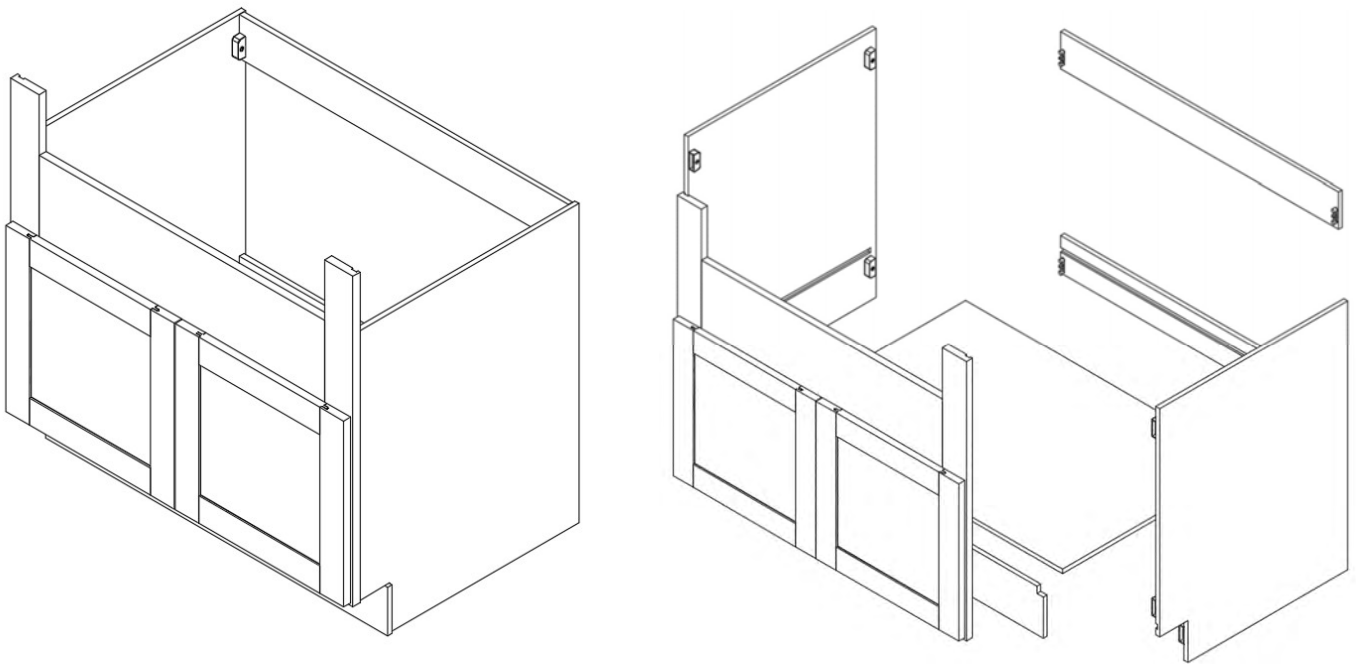


**CABINETS
TO GO** WOW
FOR
LESS.




ASSEMBLY INSTRUCTIONS



These assembly instructions are only applicable for all Apron Sink Base Cabinets

ITEM# SBA36



ATTENTION: For questions or concerns about your cabinets, assembly or installation, please contact our dedicated Customer Care Team at **1-800-CABINET (222-4638)**. Our Customer Care associates are here for you every step of the way.

► General Instructions:

Thank you for purchasing a Cabinets To Go product. You are now the proud owner of a high quality product designed to face the test of daily use and guaranteeing your enjoyment for many years to come.

Carefully read the instructions before starting the installation.

During assembly, please follow all generally accepted safety procedures.

Failure to adhere to the following instructions will invalidate the warranty and Cabinets To Go will decline any responsibility for any damages caused. Any installation which does not correspond to the instructions may result in defects, malfunctioning parts, significant damage and/or injury.

Before the assembly begins, check that all appropriate and required plumbing and electrical connections exist.

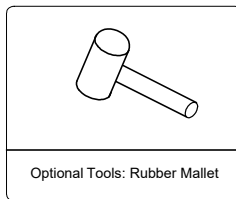
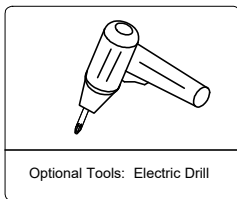
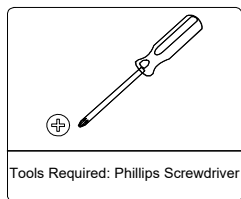
Before drilling, make absolutely sure that there are no pipes (gas, water, electricity, heating, etc.) at the drilling location. Cabinets To Go will not be held responsible for failure to follow these instructions.

PRIOR TO ASSEMBLY, PLEASE MAKE SURE YOU HAVE ONE FACE FRAME BOX AND ONE CARCASS BOX, WHICH HAVE ALL THE PARTS IN THE QUANTITIES MENTIONED BELOW. IF YOU ARE MISSING ANY PARTS, PLEASE STOP AND CONTACT CUSTOMER CARE IMMEDIATELY AT 1-800-CABINET.

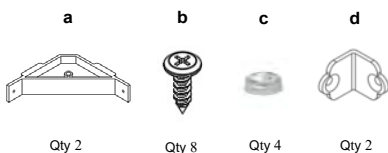
► Items Quantity

Item	Description	Qty
A	Left Side Panel	1
B	Right Side Panel	1
C	Frame & Doors: (2 Lower Doors)	1 Set
D	Top Back Panel	1
E	Bottom Back Panel	1
F	Bottom Panel	1
G	Toe Kick	1
Hardware Box	Bumper 4pcs, 1/2" Round Head Screws 8pcs, Plastic Corner Brackets 2pcs, "L" Brackets 2pcs	

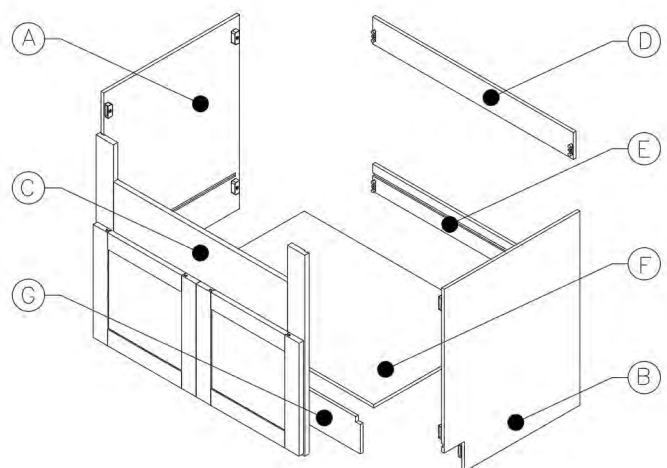
► Required tools:



► Hardware Box:



The materials listing above are for the largest unit in this instruction set. Smaller units may require less hardware and materials; therefore, your item may contain a smaller number of each.



1

Assemble the Side Panels (A,B) onto the Frame (C) by connecting the male and female cam locks and using a screwdriver to turn the lock clockwise. (Figure 1)

{NOTE: Lay Frame and Doors on a flat smooth soft work surface to assemble.}

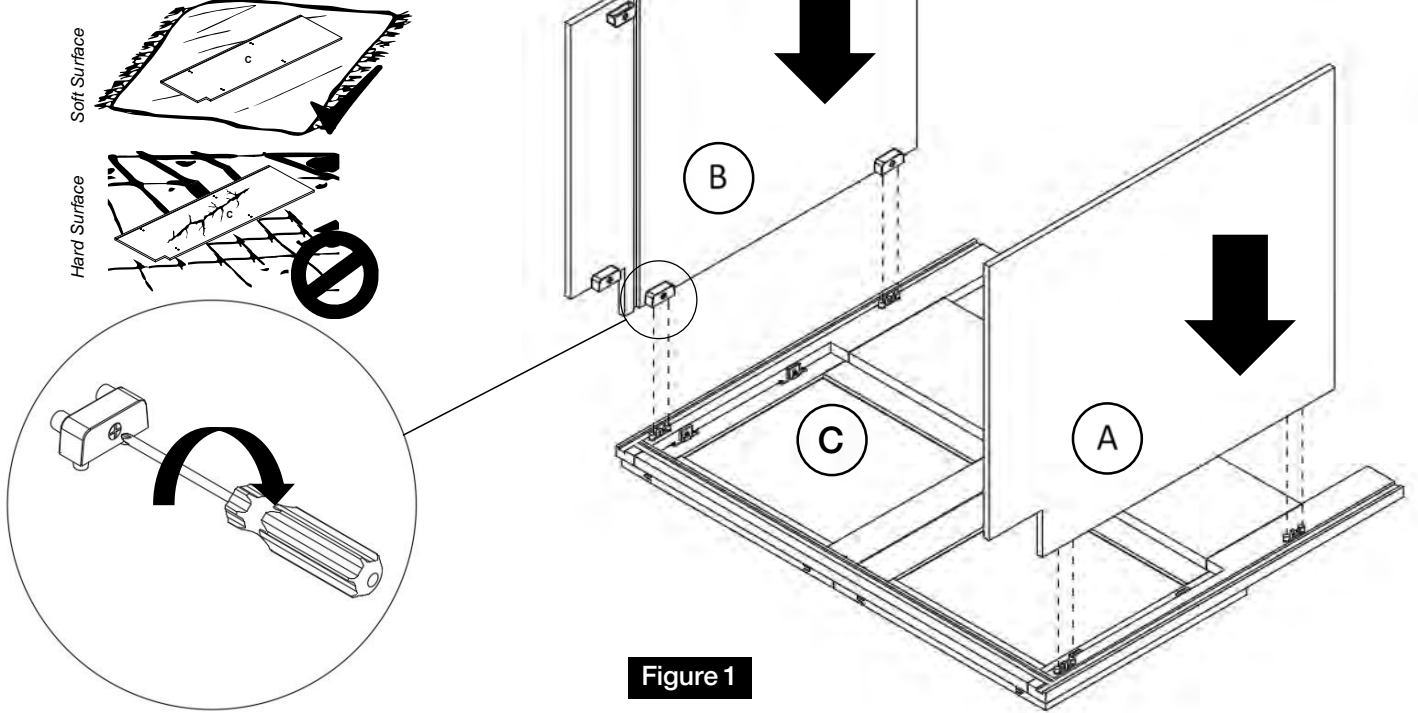


Figure 1

2

Insert the Bottom Panel (F) into the groove of the Side Panels and Frame. (Figure 2)

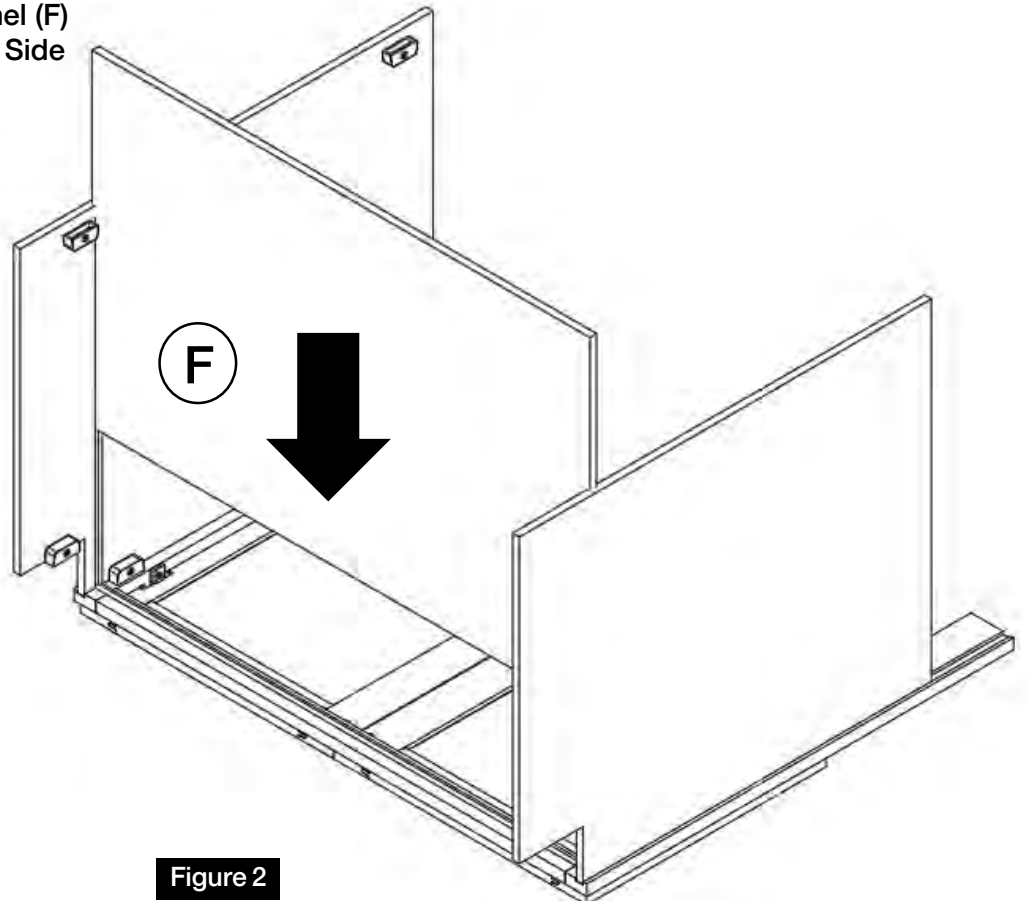


Figure 2

3

Install the toe kick (G) onto the side panels (A,B) and lock the cam locks. (Figure 3)

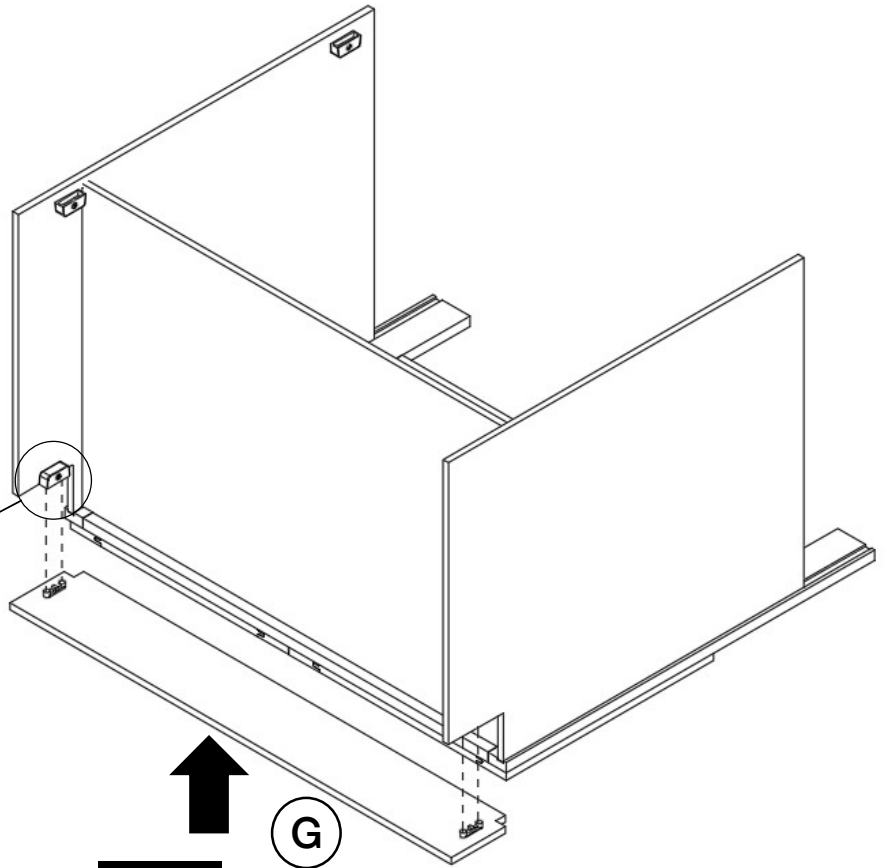
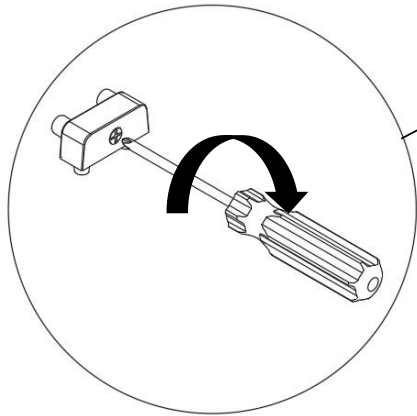


Figure 3

4

Install the Back Panels (D,E) onto the side panels (A,B) and lock the cam locks. (Figure 4)

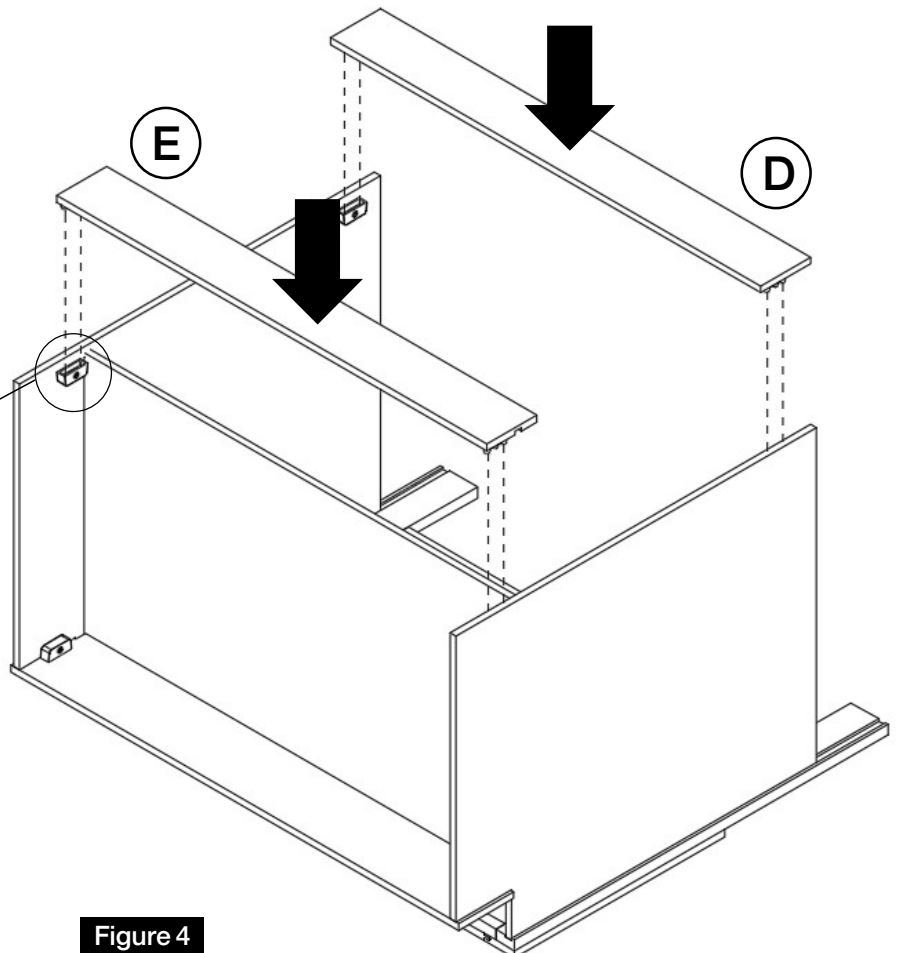
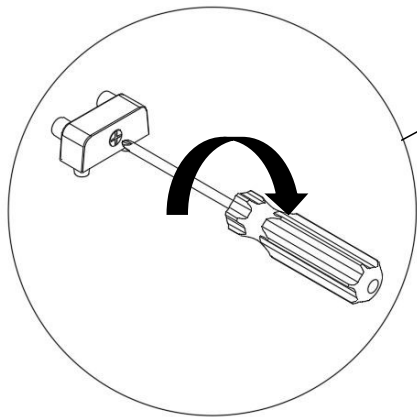


Figure 4

5

Install the corner brackets (a) and "L" brackets (d) in the four top corners using screws (b). (Figure 5)

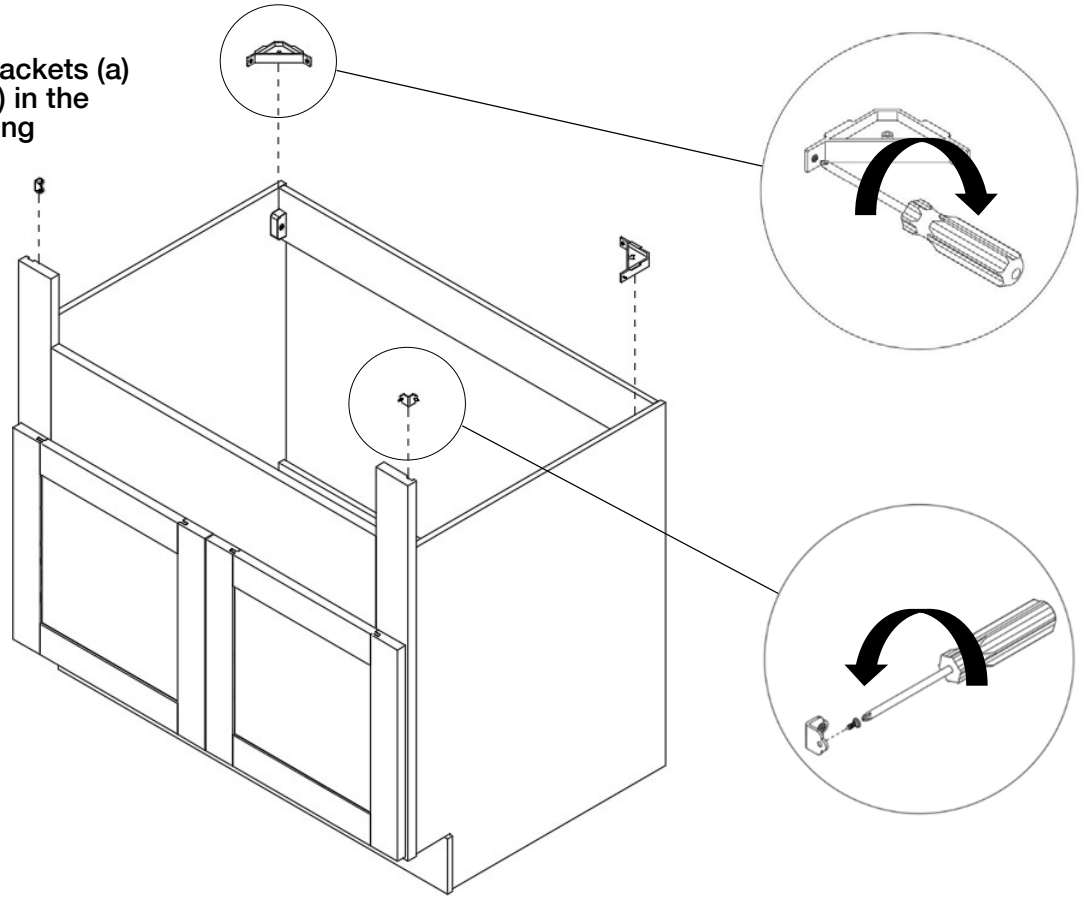
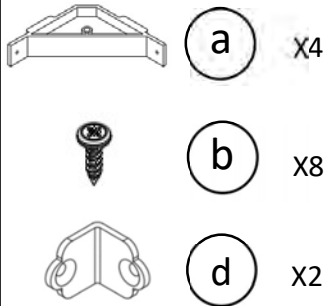


Figure 5

6

Install the bumpers (c) onto the corner of the doors where they come in contact with the frame. (Figure 6)

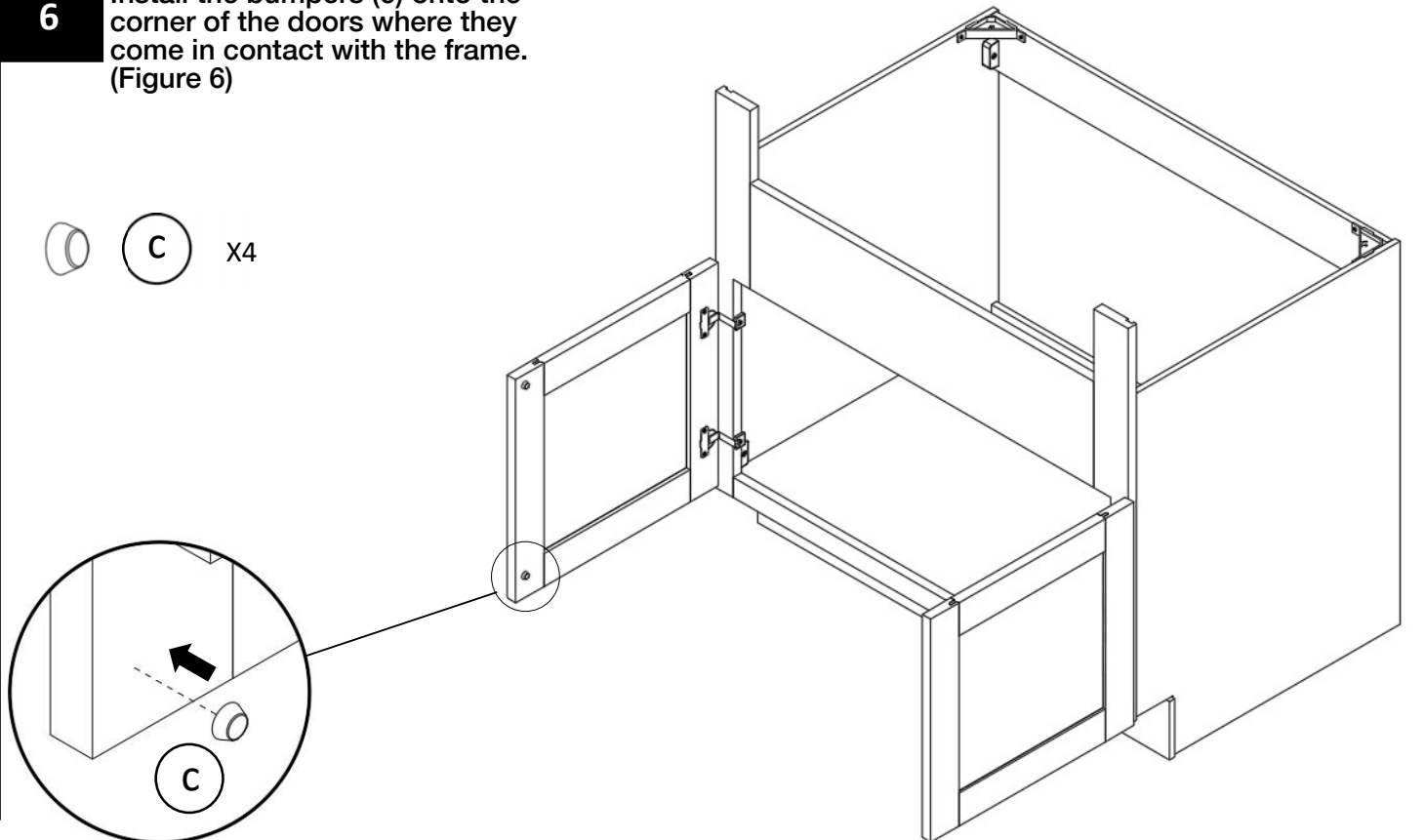
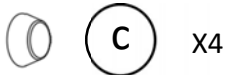


Figure 6
Page 5

► Maintenance

For daily cleaning, use a dry cloth and a soft liquid cleaner.

Never use abrasive cleaners containing acetone, chlorine or strong bleach. Also, do not use tools as scrapers, metallic brushes, and other products which can scratch or tarnish surfaces.

Under no circumstances should you use chrome cleaner on chrome-plated or brass trim, hinges, handles, sockets etc.

Good ventilation is essential for maintaining the quality and look of this furniture.

Warranty and Customer Care Information

For the most up to date warranty information for your product, please visit our website - www.cabinetstogo.com to get the specific details. If you have any questions with warranties or to make a claim, please contact Customer Care by email - customercare@cabinetstogo.com or call 1-800-CABINET.