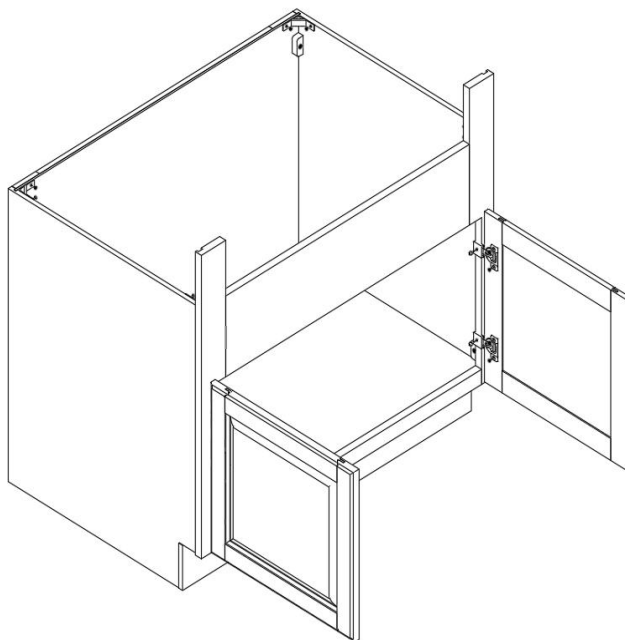


**CABINETS  
TO GO** **WOW  
FOR  
LESS.**



## Apron Front Sink Base Cabinet

### ASSEMBLY INSTRUCTIONS



These assembly instructions are applicable for all **Apron Front Sink Base Cabinet**.

**ITEM #:SBA36**



**ATTENTION:** For questions or concerns about your cabinets, assembly or installation, please contact our dedicated Customer Care Team at **1-800-CABINET (222-4638)**. Our Customer Care associates are here for you every step of the way.

**► General Instructions:**

Thank you for choosing a Cabinets To Go product. You are now the proud owner of a high quality product designed to face the test of daily use and guaranteeing your enjoyment for many years to come.

Carefully read the instructions before starting the installation.

During assembly, please follow all generally accepted safety procedures.

Failure to adhere to the following instructions will invalidate the warranty and Cabinets To Go will decline any responsibility for any damages caused. Any installation which does not correspond to the instructions may result in defects, malfunctioning parts, significant damage and/or injury.

Before the assembly begins, check that all appropriate and required plumbing and electrical connections exist.

Before drilling, make absolutely sure that there are no pipes (gas, water,electricity, heating, etc.) at the drilling location. Cabinets To Go will not be held responsible for failure to follow these instructions.

PRIOR TO ASSEMBLY, PLEASE MAKE SURE YOU HAVE ONE FACE FRAME BOX AND ONE CARCASS BOX, WHICH HAVE ALL THE PARTS IN THE QUANTITIES MENTIONED BELOW. IF YOU ARE MISSING ANY PARTS, PLEASE STOP AND CONTACT CUSTOMER CARE IMMEDIATELY AT 1-800-CABINET.

**► Items Quantity**

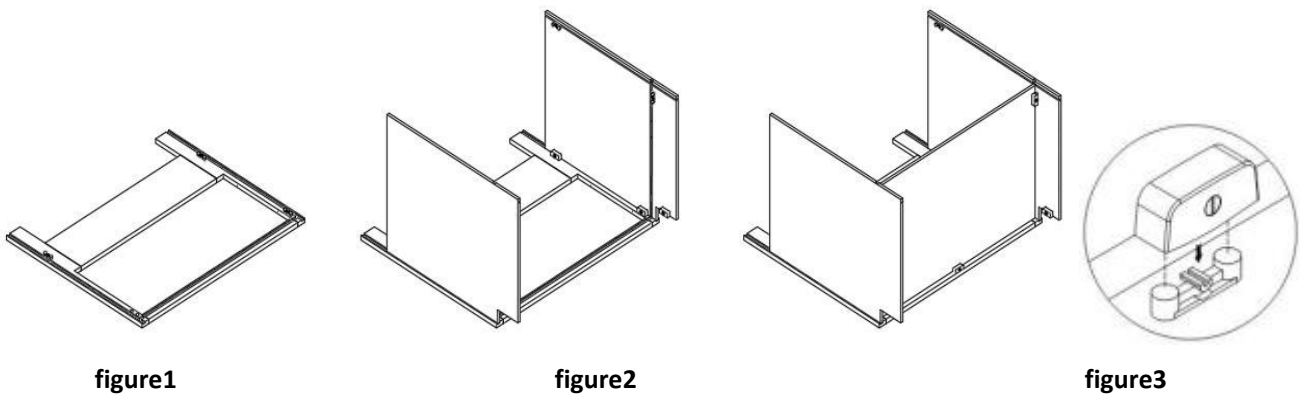
| Item | Description   | Qty |
|------|---|-----|
| A    | Face Frame  | 1   |
| B    | Side Panels   | 2   |
| C    | Bottom Panel  | 1   |
| E    | Back Panel  | 1   |
|      |   |     |
| G    | Toe Kick  | 1   |
|      |   |     |
|      |   |     |
| J    | HardwareBox:  | 1   |
|      | Hinge 4pcs with screws, Plastic corner bracket(K) 4pcs, 1/2" round head screws 8pcs, , 1" screw 3pcs, |     |
| K    | Door  | 2   |
| L    |   |     |
| M    |   |     |

**► RequiredTools:**

- Screwdriver

► **Instructions:**

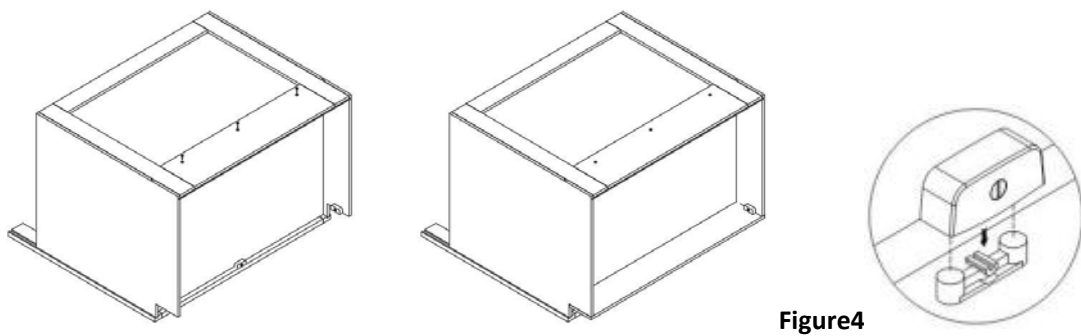
1. Place the face frame (A) face down on a flat soft working surface to ensure that the face is not scratched or damaged.



2. **Installing the side panels (Figure2):** Insert the left and right panels(B) into the grooves of the face frame (A) and align the Cam lock connectors. Lock the cam with a screwdriver by turning the screw 180° clock wise.

3. **Installing the bottom panel(Figure3):**Gently spread the side panels and insert the bottom (C) into the grooves of the side panels until it touches the face frame (A).Align it and lock each cam.

4. **Installing the back panel and Toe Kick(Figure4):** Secure them with 2PCS round head screws.Then put the back panel at rear of the side panels.Align and lock each cam lock.Installing the Toe Kick by locking the cam lock at both ends.



5. **Attach hinges and door panels to the face frame with 2PCS 4\*14 flat head screws and 1PC 4\*21 round head screw(Figure5).**

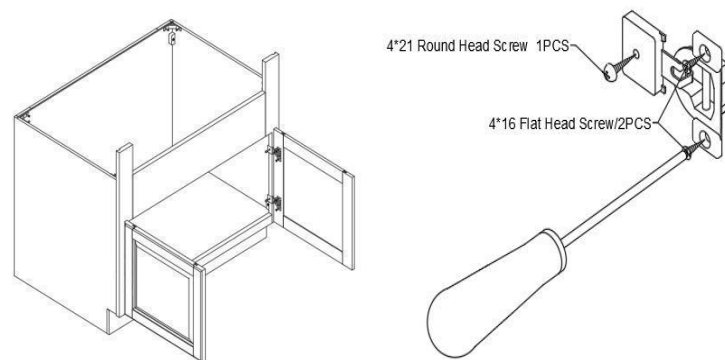


Figure5

► **Maintenance**

For daily cleaning, use a dry cloth and a soft liquid cleaner.

Never use abrasive cleaners containing acetone, chlorine or strong bleach. Also, do not use tools as scrapers, metallic brushes, and other products which can scratch or tarnish surfaces.

Under no circumstances should you use chrome cleaner on chrome- plated or brass trim, hinges, handles, sockets etc. Good ventilation is essential for maintaining the quality and look of this furniture.

► **Warranty and Customer Care Information**

For the most up to date warranty information for your product, please visit our website - [www.cabinetstogo.com](http://www.cabinetstogo.com) to get the specific details. If you have any questions with warranties or to make a claim, please contact Customer Care by email - [customercare@cabinetstogo.com](mailto:customercare@cabinetstogo.com) or call 1-800-CABINET.