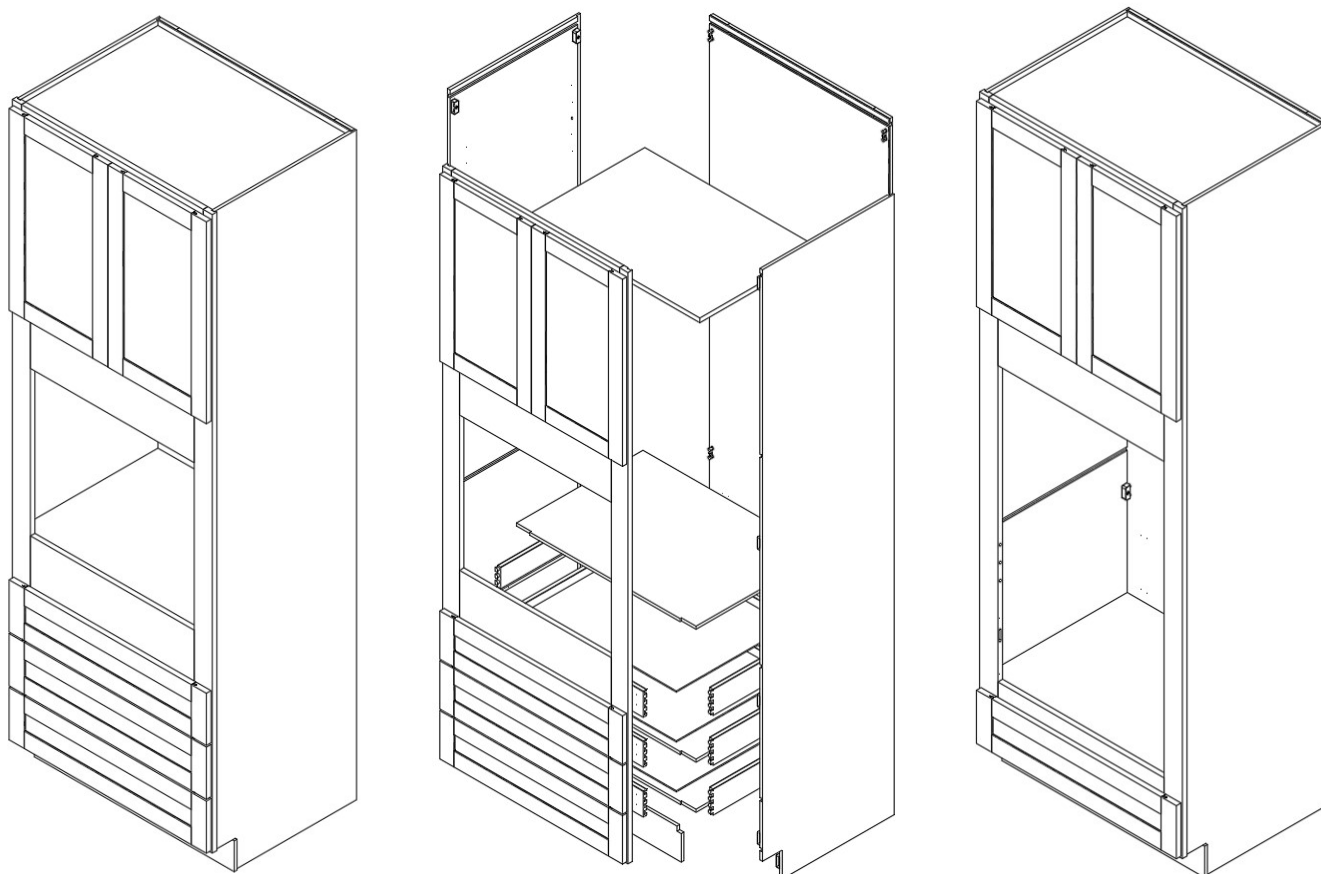


**CABINETS** WOW  
**TO GO** FOR  
LESS.




## ASSEMBLY INSTRUCTIONS



These assembly instructions are only applicable for all Single/Double Oven Cabinets

**ITEM# OC3396SD**



**WOW  
SERVICE**

**ATTENTION:** For questions or concerns about your cabinets, assembly or installation, please contact our dedicated Customer Care Team at **1-800-CABINET (222-4638)**. Our Customer Care associates are here for you every step of the way.

**► General Instructions:**

Thank you for purchasing a Cabinets To Go product. You are now the proud owner of a high quality product designed to face the test of daily use and guaranteeing your enjoyment for many years to come.

Carefully read the instructions before starting the installation.

During assembly, please follow all generally accepted safety procedures.

Failure to adhere to the following instructions will invalidate the warranty and Cabinets To Go will decline any responsibility for any damages caused. Any installation which does not correspond to the instructions may result in defects, malfunctioning parts, significant damage and/or injury.

Before the assembly begins, check that all appropriate and required plumbing and electrical connections exist.

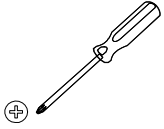

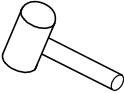
Before drilling, make absolutely sure that there are no pipes (gas, water, electricity, heating, etc.) at the drilling location. Cabinets To Go will not be held responsible for failure to follow these instructions.

PRIOR TO ASSEMBLY, PLEASE MAKE SURE YOU HAVE ONE FACE FRAME BOX AND ONE CARCASS BOX, WHICH HAVE ALL THE PARTS IN THE QUANTITIES MENTIONED BELOW. IF YOU ARE MISSING ANY PARTS, PLEASE STOP AND CONTACT CUSTOMER CARE IMMEDIATELY AT 1-800-CABINET.





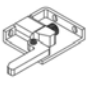

**► Items Quantity**

Item	Description	Qty
A	Left Side Panel	1
B	Right Side Panel	1
C	Back Panel	1
D	Top & Bottom Panel	2
E	Frame, 2 Doors & 3 Drawer Fronts	1
F	Fixed Shelves	3
G	Toe Kick	1
H	Drawer Panel & Drawer Box: (Front, Back, Sides, & Bottom)	3 Sets
I	Drawer Glides	3 Sets
J	Adjustable Shelf	1
Hardware Box	Bumper 16pcs, 1/2" Round Head Screws 36pcs, 1" Flat Head Screws 15pcs, Glide Brackets 6pcs, Drawer Clips 6pcs, Shelf Brackets 4pcs	

**► Required tools:**

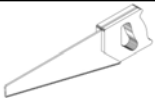
		
Tools Required: Phillips Screwdriver	Optional Tools: Electric Drill	Optional Tools: Rubber Mallet

**► Hardware Box:**

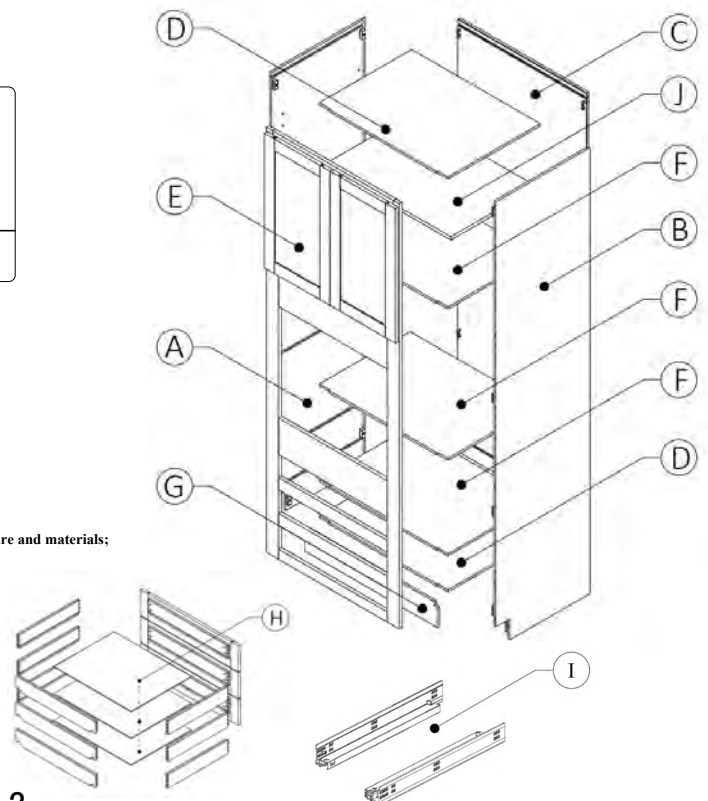
					
Qty 15	Qty 36	Qty 16	Qty 6	Qty 6	Qty 4

The materials listing above are for the largest unit in this instruction set. Smaller units may require less hardware and materials; therefore, your item may contain a smaller number of each.

**DOUBLE OVEN CABINET**



Required Tool: Hand Saw

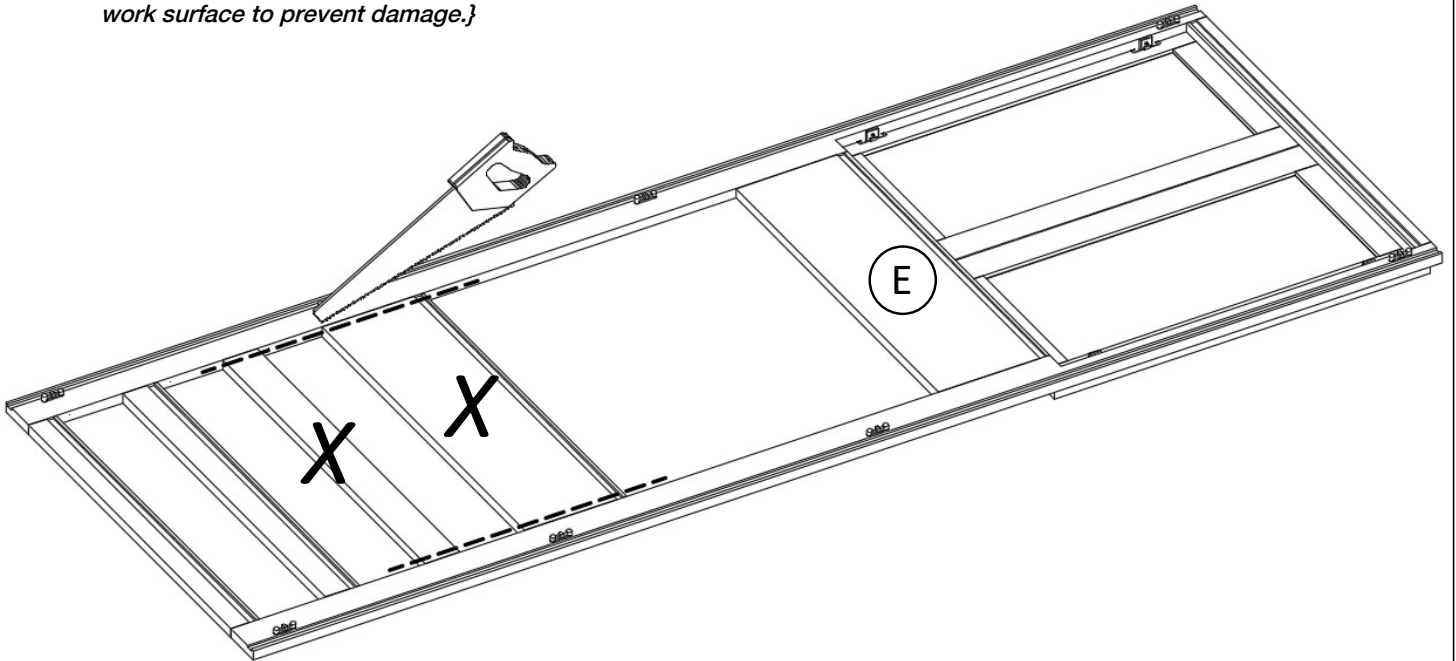
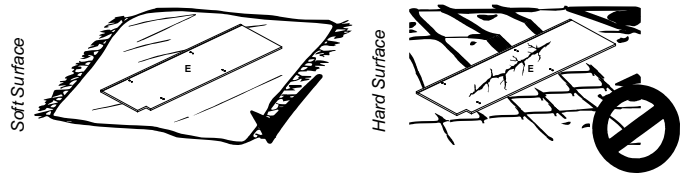


## SKIP THIS PAGE FOR SINGLE OVEN CABINETS

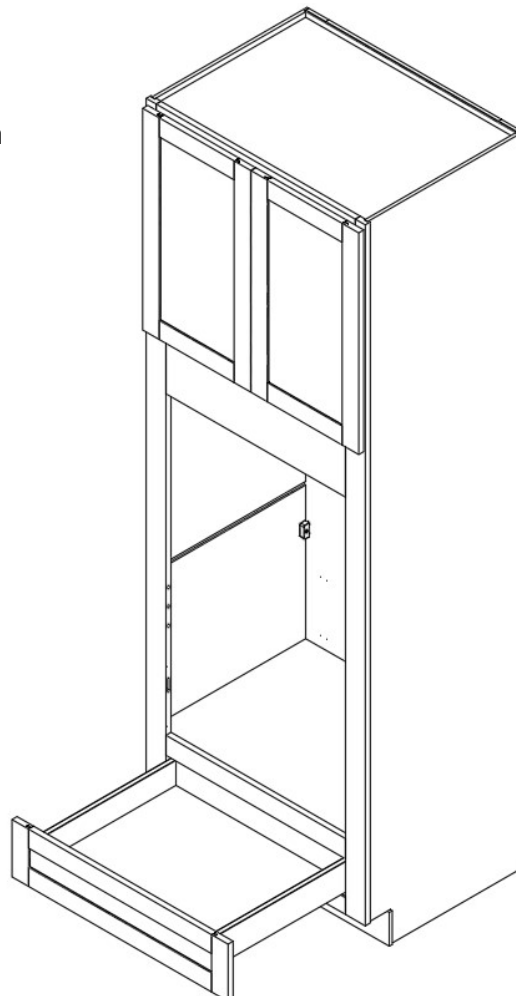
### NOTE:

If installing a double oven, you will want to perform this step first to prepare the frame. Using a saw, cut the frame as shown below to remove the un-needed rails.

*{Lay Frame and Doors on a flat smooth soft work surface to prevent damage.}*



The assembled double oven cabinet will look like this with the larger opening, and a single drawer at the bottom.



1

Install the glide brackets (d) to the Back Panel (C) using screws (b). (Figure 1)  
{NOTE: Lay Back Panel on a flat smooth soft work surface to assemble.}

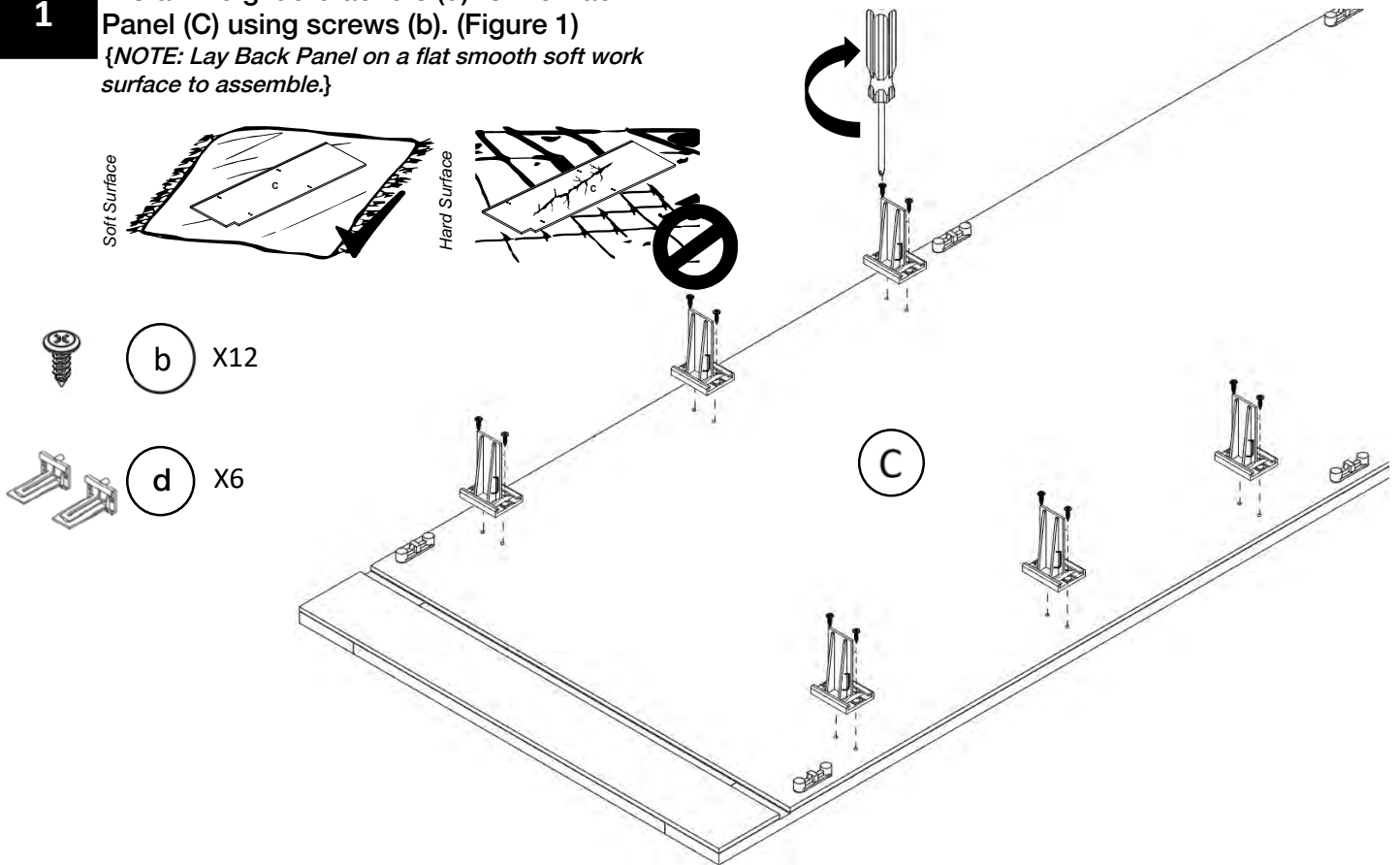


Figure 1

2

Assemble the Side Panels (A,B) onto the Frame (E) by connecting the male and female cam locks and using a screwdriver to turn the lock clockwise. (Figure 2)

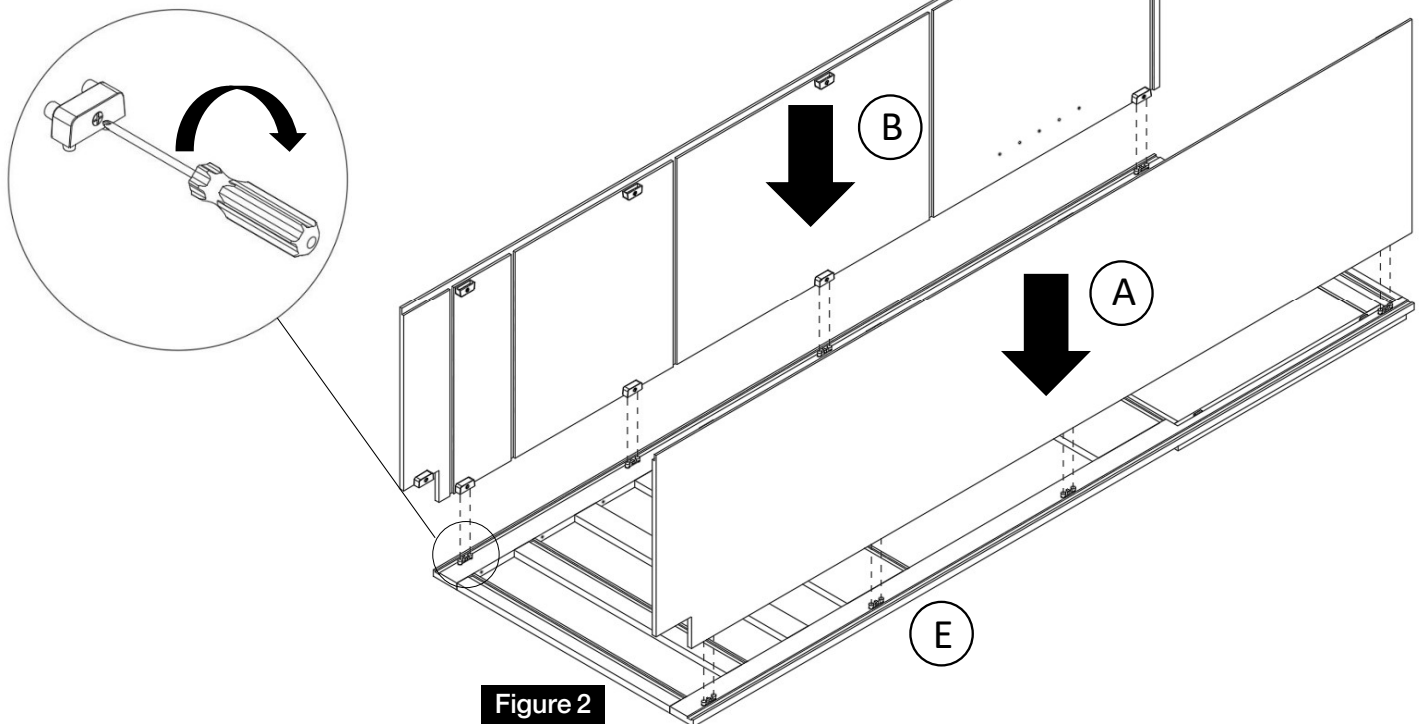
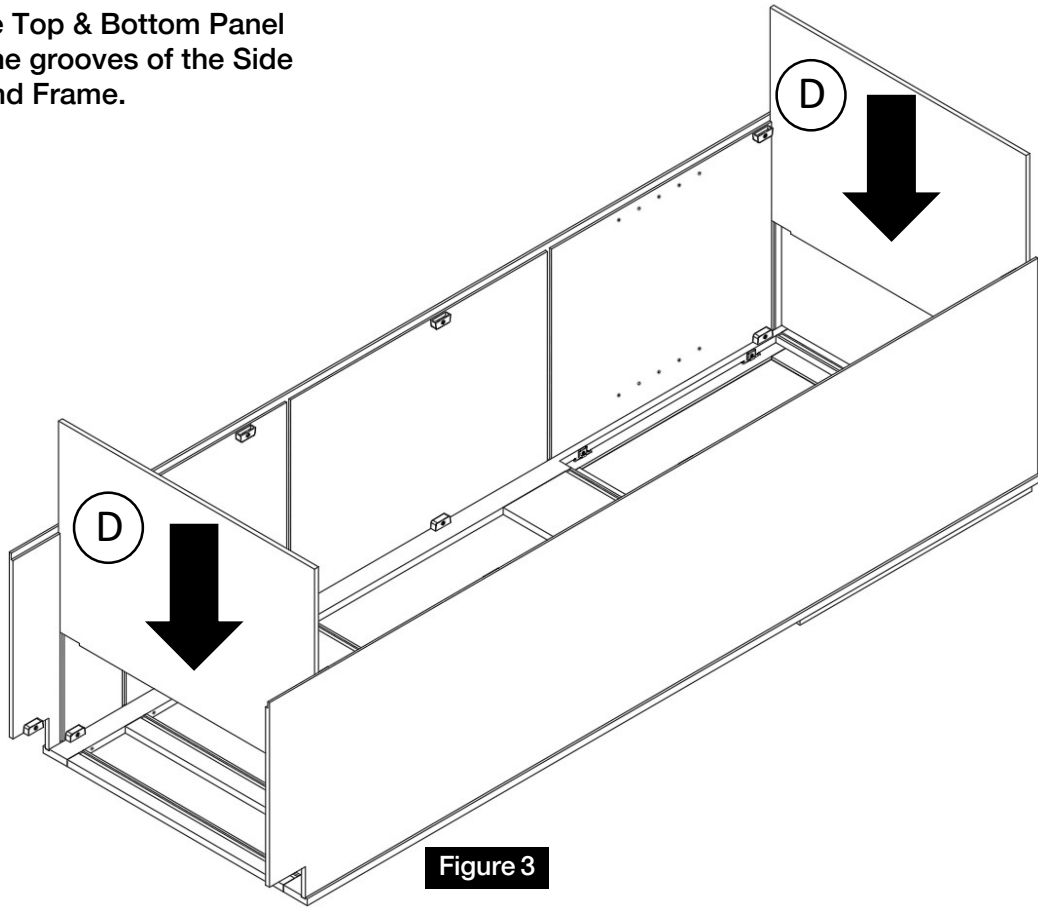


Figure 2

**3**

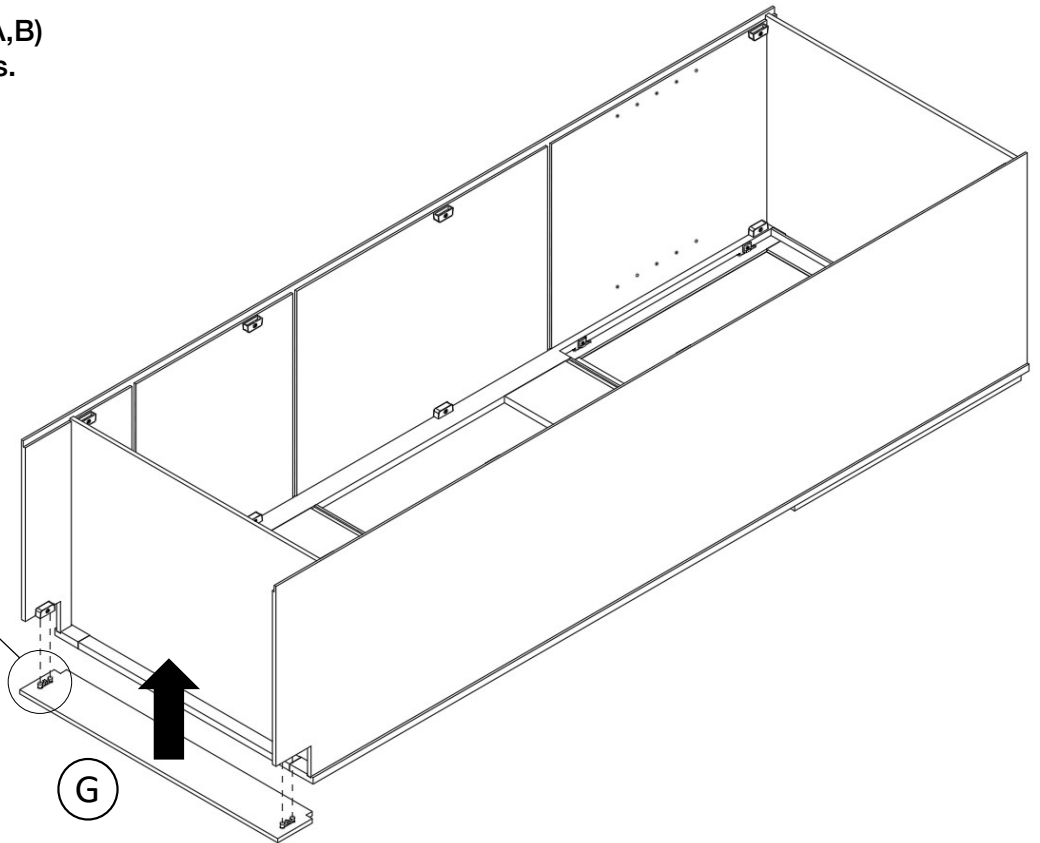
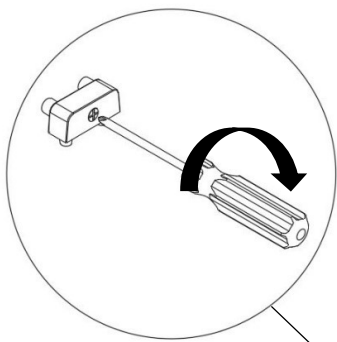
Insert the Top & Bottom Panel (D) into the grooves of the Side Panels and Frame. (Figure 3)



**Figure 3**

**4**

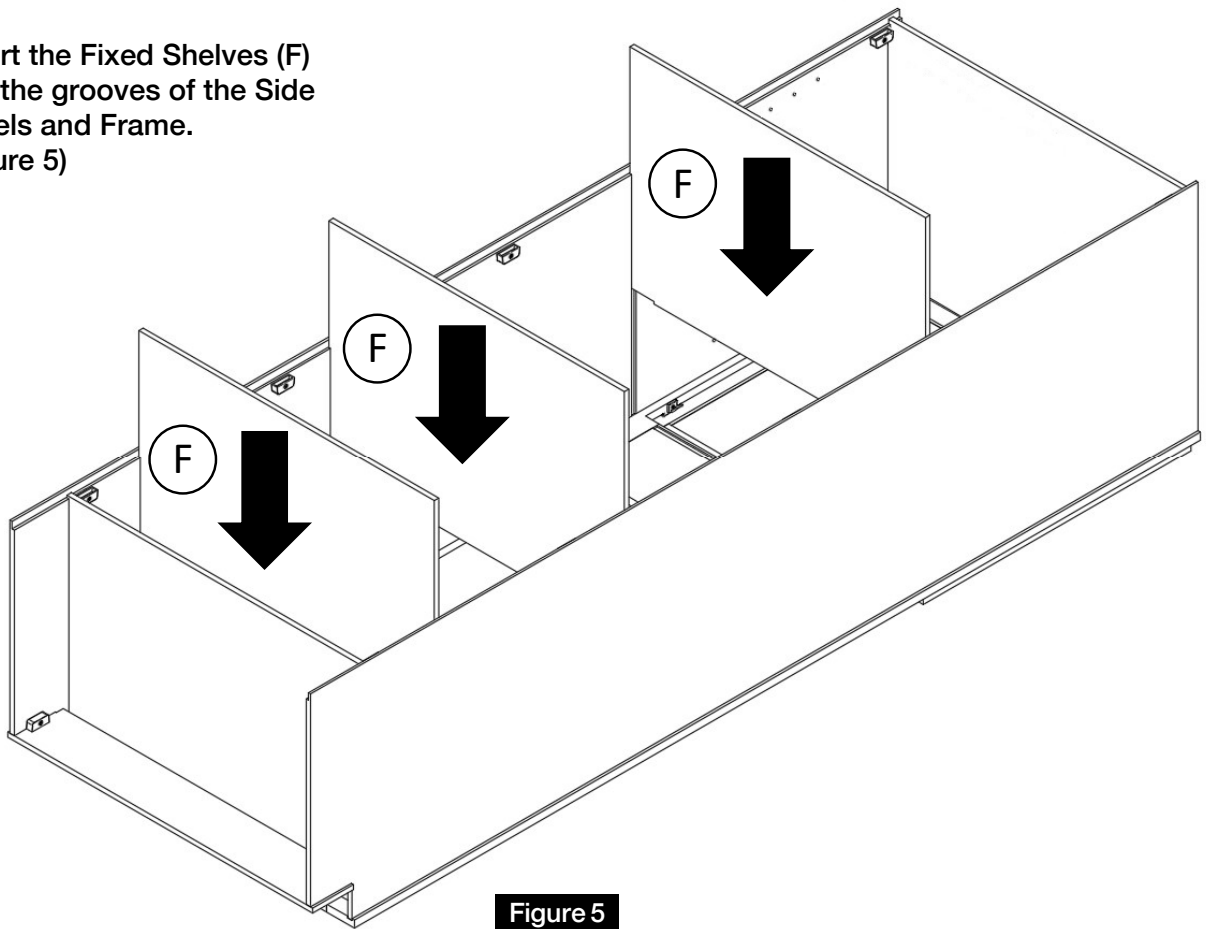
Install the toe kick (G) onto the side panels (A,B) and lock the cam locks. (Figure 4)



**Figure 4**

**5**

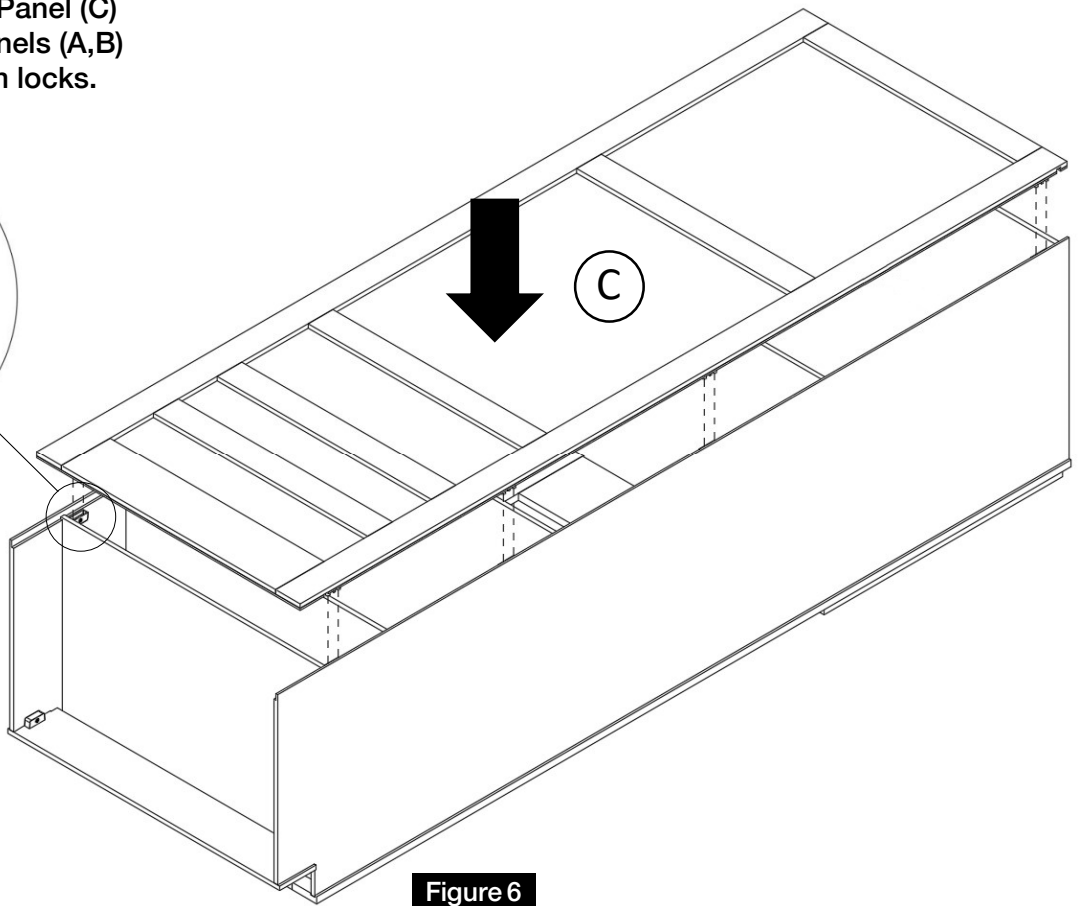
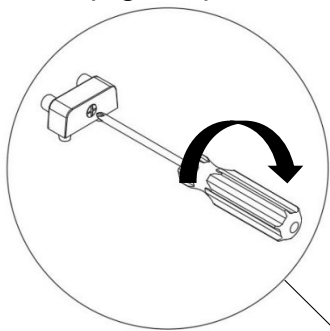
Insert the Fixed Shelves (F) into the grooves of the Side Panels and Frame. (Figure 5)



**Figure 5**

**6**

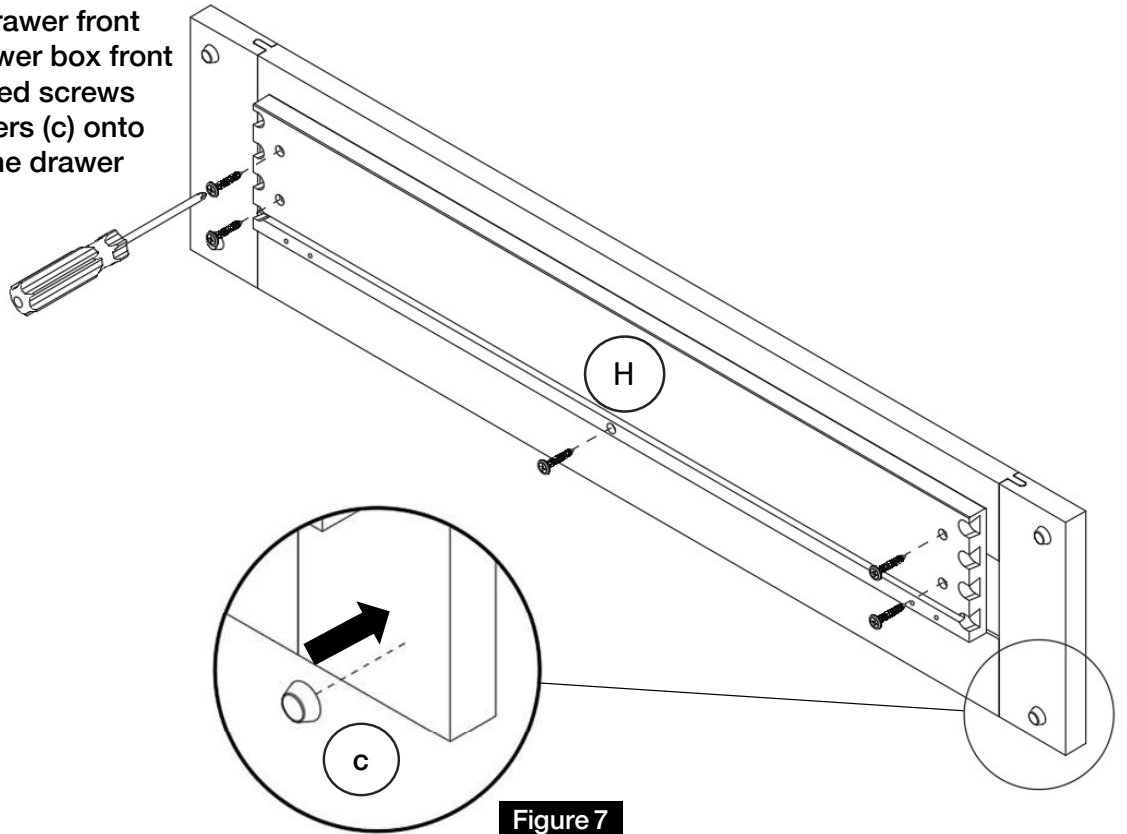
Install the Back Panel (C) onto the side panels (A,B) and lock the cam locks. (Figure 6)



**Figure 6**

7

Assemble the drawer front (H) onto the drawer box front using the supplied screws (a). Place bumpers (c) onto the corners of the drawer front. (Figure 7)



a

X15



c

X12

Figure 7

8

Finish assembling the drawer boxes. (H) (Figure 8)  
{NOTE: You may use a rubber mallet if needed to seat the dove tails.}

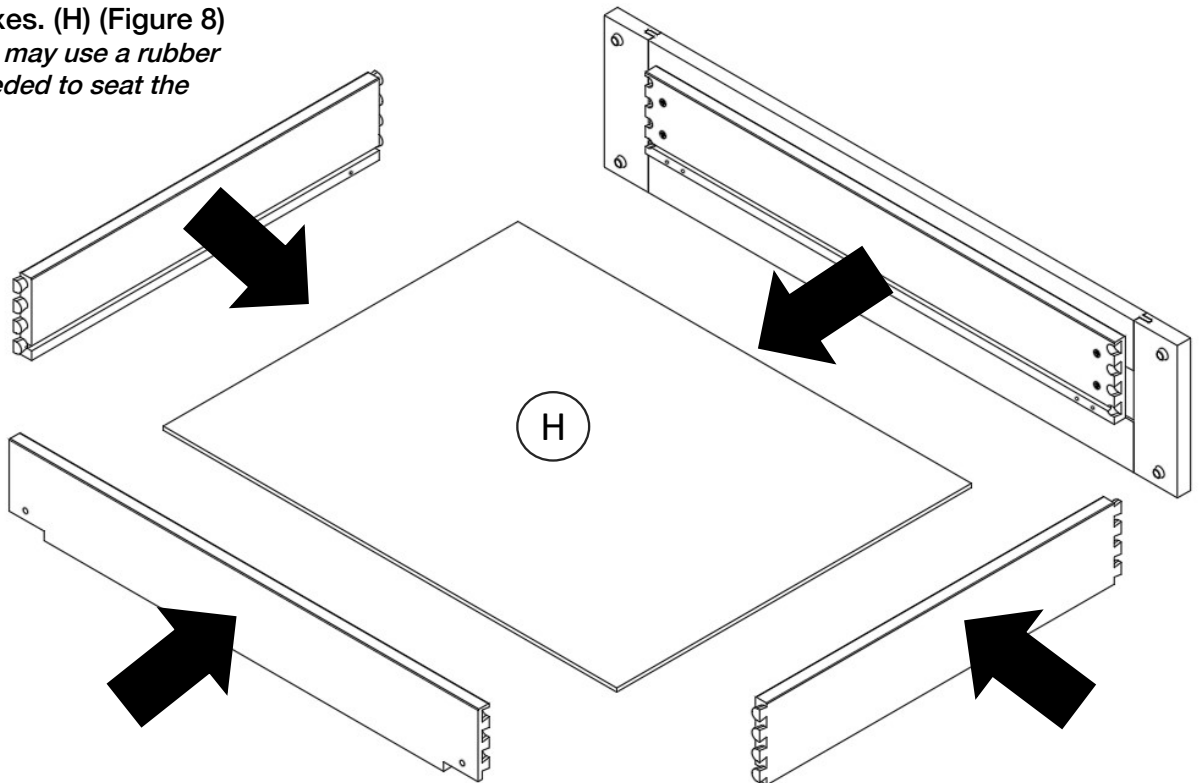
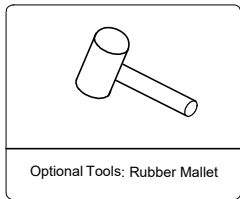


Figure 8

9

Attach the Drawer Clips (e) using screws (b) onto the bottom of the drawers. (H) (Figure 9)

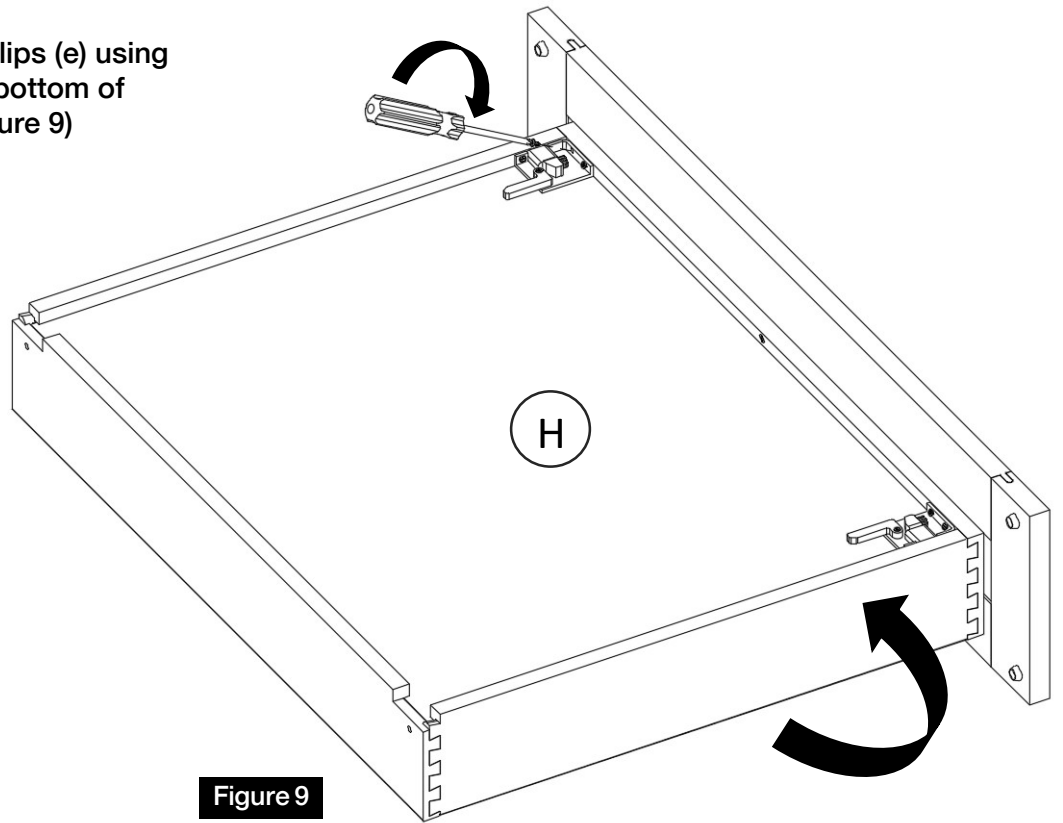
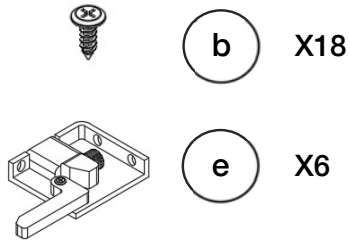


Figure 9

10

Attach the Drawer Glides (I) using screws (b) onto the frame and glide brackets installed in Step 1. (Figure 10)

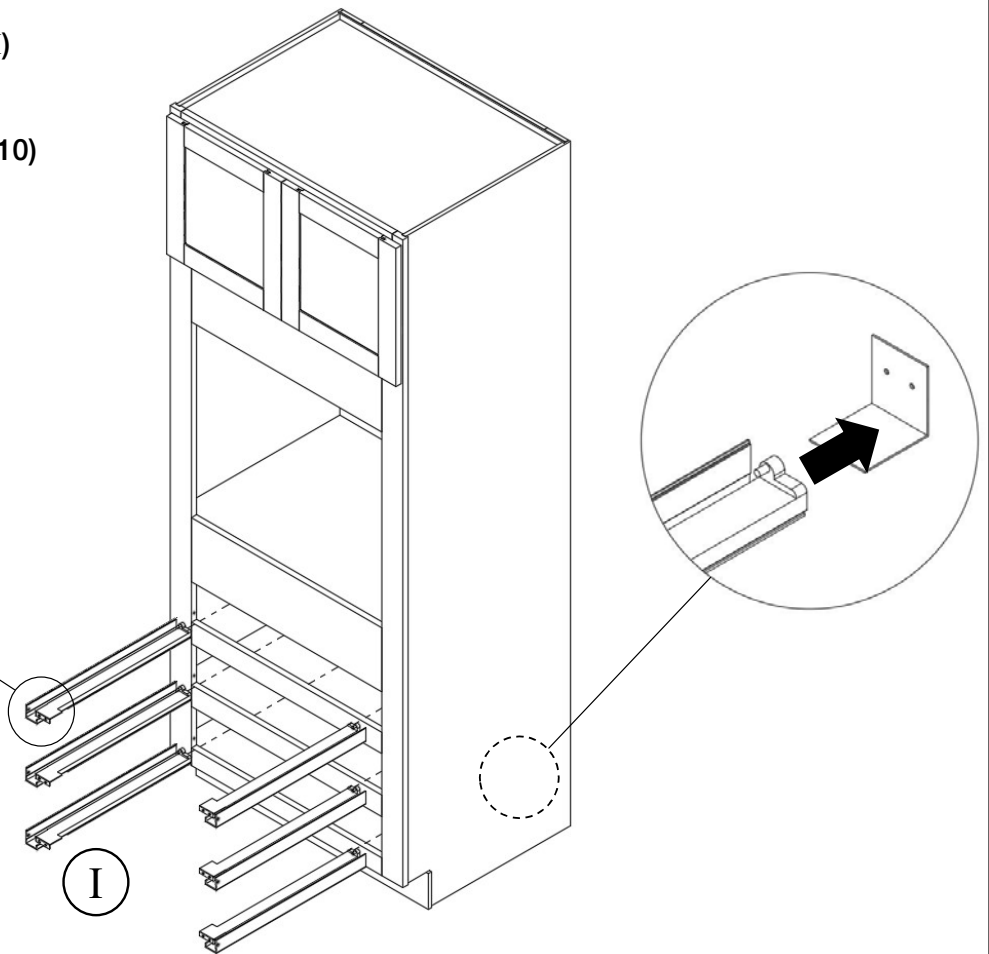
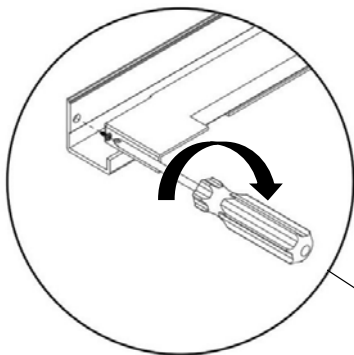
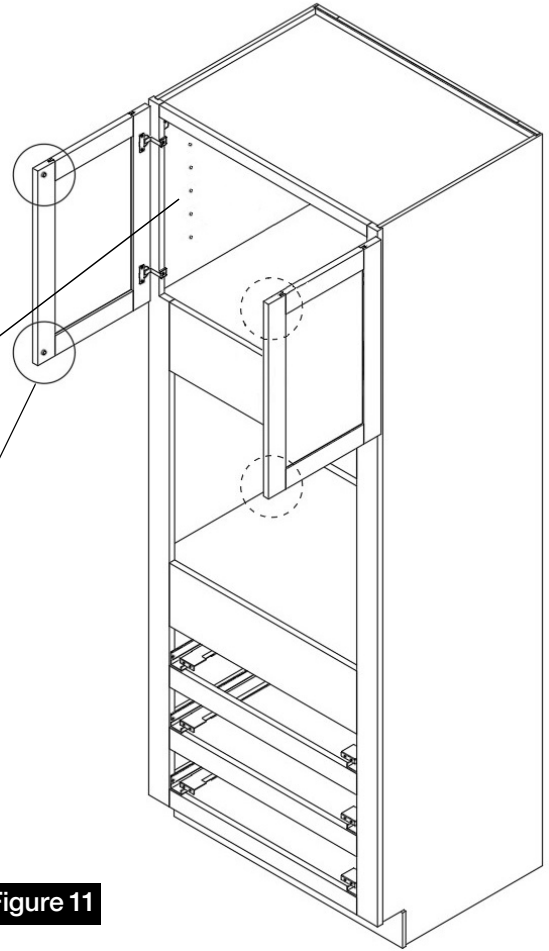
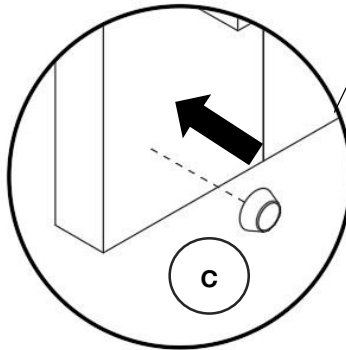
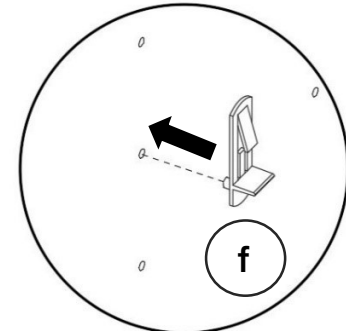
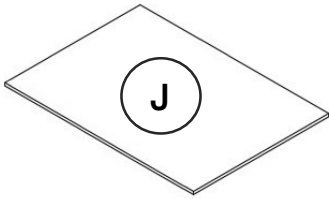
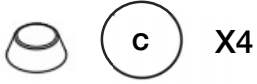


Figure 10



**11**

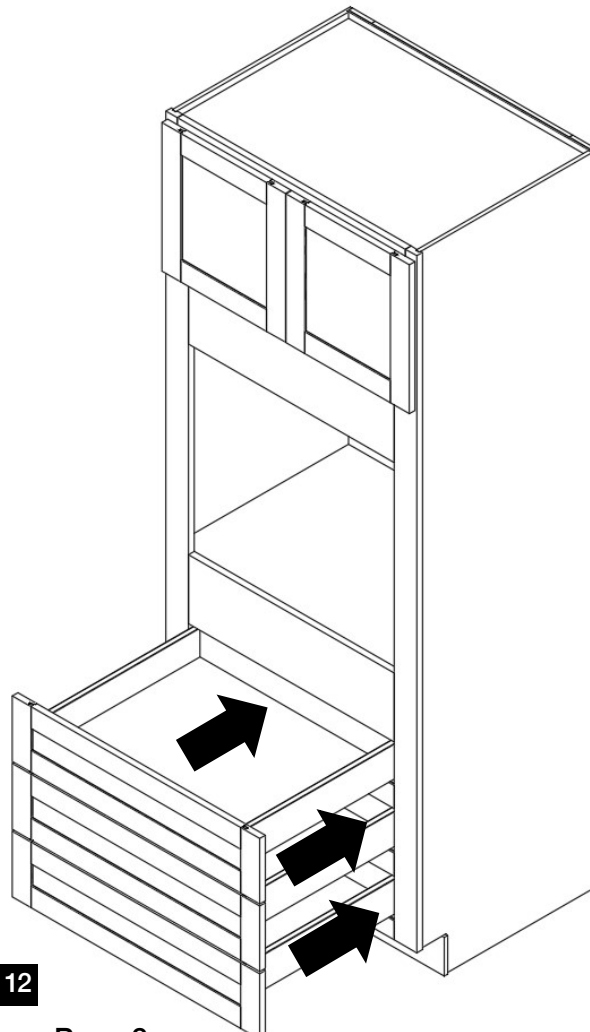
Install the remaining bumpers (c) onto the corners of the doors where they come in contact with the frame. Insert the shelf brackets (f) in the locations of your choosing, then insert the shelf. (J) (Figure 11)



**Figure 11**

**12**

Insert the assembled drawers (H) onto the glides. Push in until you hear clicks from the drawer clips locking into the glides. (Figure 12)



**Figure 12**

**► Maintenance**

For daily cleaning, use a dry cloth and a soft liquid cleaner.

Never use abrasive cleaners containing acetone, chlorine or strong bleach. Also, do not use tools as scrapers, metallic brushes, and other products which can scratch or tarnish surfaces.

Under no circumstances should you use chrome cleaner on chrome-plated or brass trim, hinges, handles, sockets etc.

Good ventilation is essential for maintaining the quality and look of this furniture.

**Warranty and Customer Care Information**

For the most up to date warranty information for your product, please visit our website - [www.cabinetstogo.com](http://www.cabinetstogo.com) to get the specific details. If you have any questions with warranties or to make a claim, please contact Customer Care by email - [customer care@cabinetstogo.com](mailto:customer care@cabinetstogo.com) or call 1-800-CABINET.