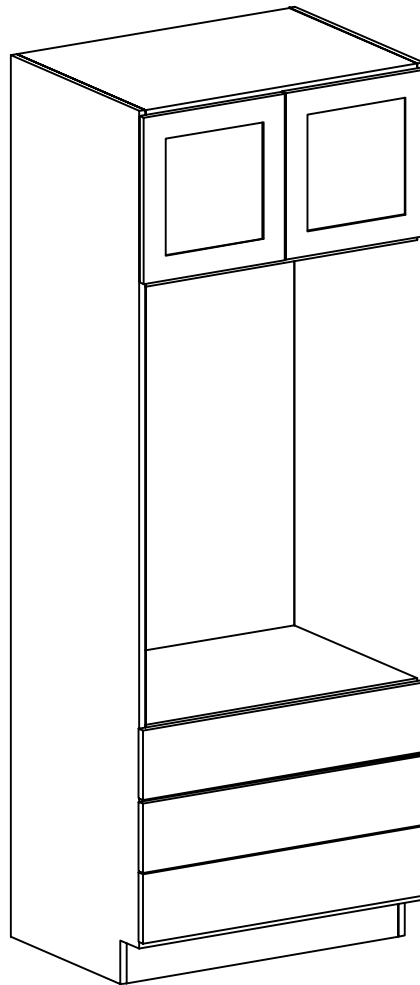


**OVEN CABINETS
ASSEMBLY INSTRUCTIONS**



These assembly instructions are only applicable For Oven Cabinets.

ITEM# OC3384-OC3390-OC3396



ATTENTION: For questions or concerns about your cabinets, assembly or installation, please contact our dedicated Customer Care Team at **1-800-CABINET (222-4638)**. Our Customer Care associates are here for you every step of the way.

►General Instructions:

Thank you for purchasing a Cabinets To Go product. You are now the proud owner of a high quality product designed to face the test of daily use and guaranteeing your enjoyment for many years to come.

Carefully read the instructions before starting the installation.

During assembly, please follow all generally accepted safety procedures.

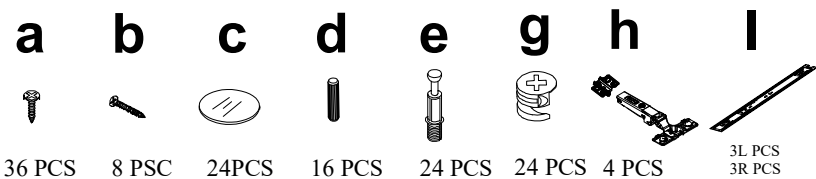
Failure to adhere to the following instructions will invalidate the warranty and Cabinets To Go will decline any responsibility for any damages caused. Any installation which does not correspond to the instructions may result in defects, malfunctioning parts, significant damage and/or injury.

Before the assembly begins, check that all appropriate and required plumbing and electrical connections exist.

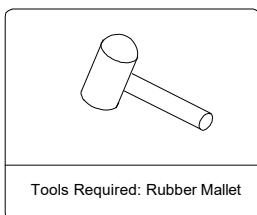
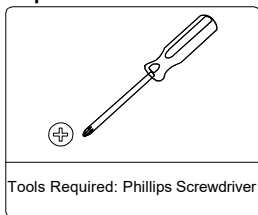
Before drilling, make absolutely sure that there are no pipes (gas, water, electricity, heating, etc.) at the drilling location. Cabinets To Go will not be held responsible for failure to follow these instructions.

PRIOR TO ASSEMBLY, PLEASE MAKE SURE YOU HAVE ONE FACE FRAME BOX AND ONE CARCASS BOX, WHICH HAVE ALL THE PARTS IN THE QUANTITIES MENTIONED BELOW. If you are missing any parts, please STOP and contact Customer Care immediately at 1-800-CABINET.

Hardware Bag



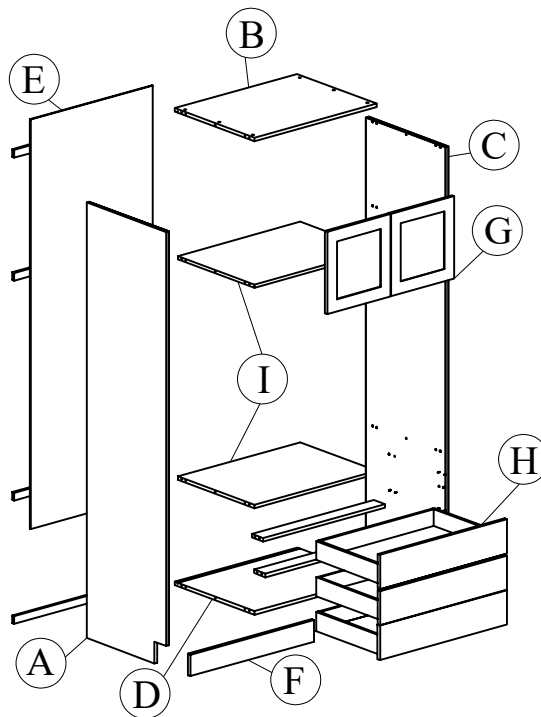
►Required tools:



►Cabinet Parts List:

NO.	ITEM	QTY
A	Right Side Panel	1
B	Top Braces	2
C	Left Side Panel	1
D	Bottom Panel	1
E	Back Panel	1
F	Toe Kick	1
G	Door	2
H	Drawers	3
I	Shelves	2

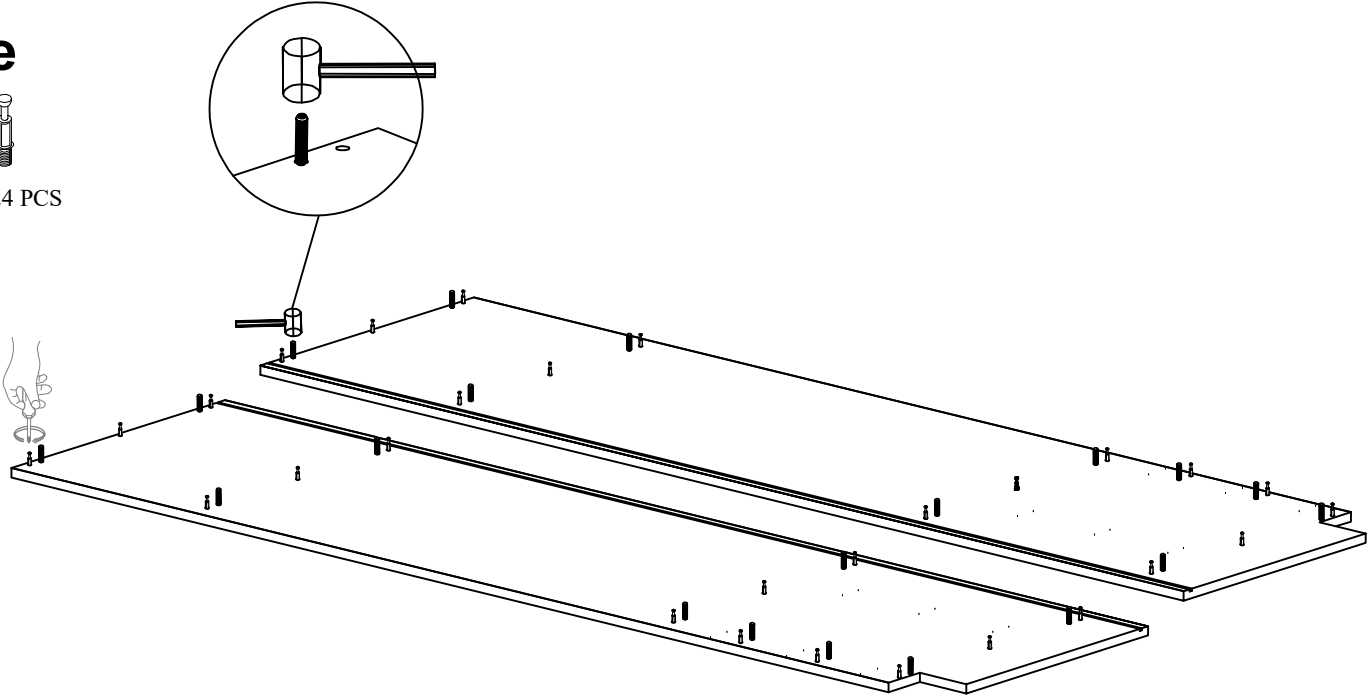
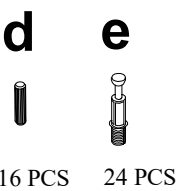
Cabinet Parts Detail



Step 1

After unpacking, place the panels on a soft surface.
Attach dowels and hardware to the Side panel

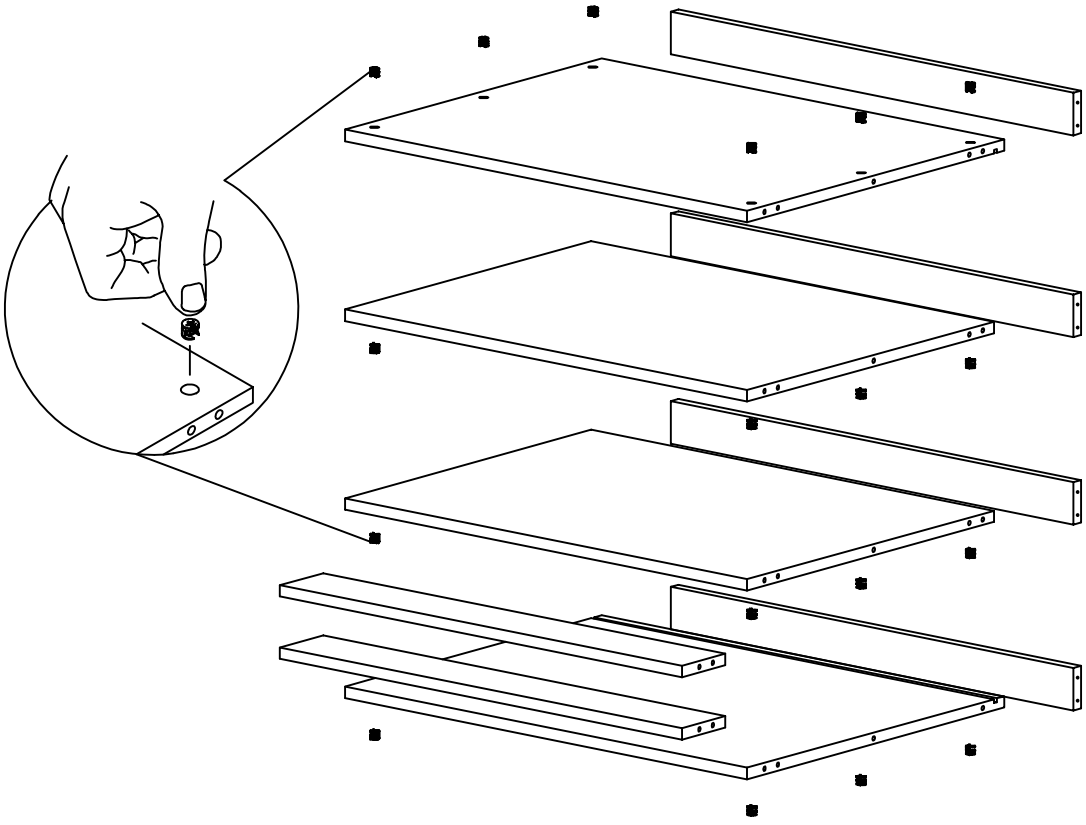
- * Right side panel (A)
- * Left side panel (C)



Step 2

Insert all the cam locks into the braces and bottom panel, insuring they have the arrows pointing towards the hole.

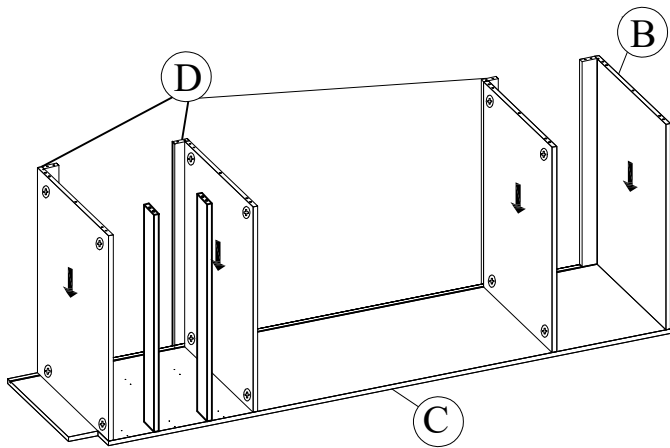
- * Back Panel (E)
- * Bottom panel (D)
- * Back Braces (B)



Step 3

Insert the Right side panel bottom panel and Top Braces + Back Braces
Locking the cam locks by turning them 180° clockwise.

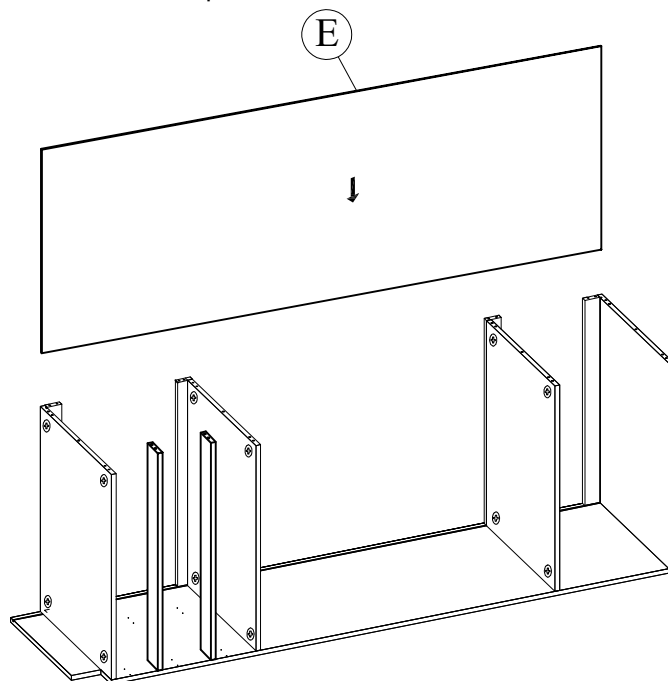
- * Right side panel (C)
- * Bottom panel (D)
- * Top Braces (B)



Step 4

Insert the back panel.

- * Back panel (E)

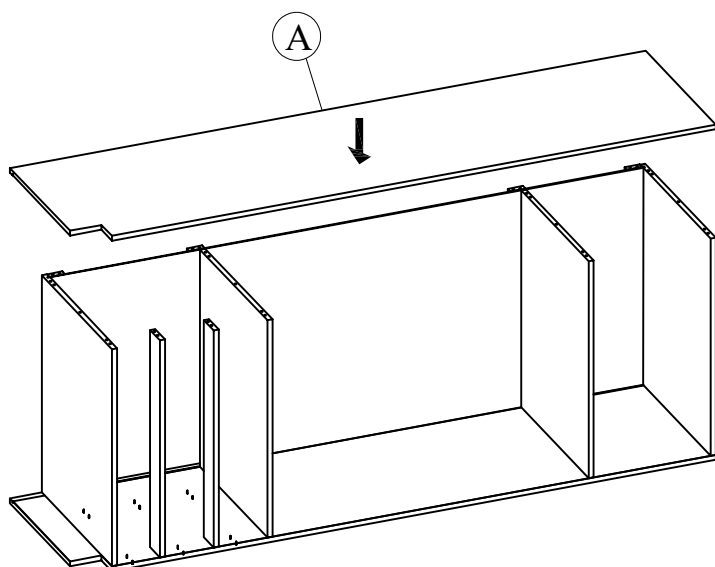


Step 5

Insert the next Left Side Panel

Locking the cam locks by turning them 180° clockwise.

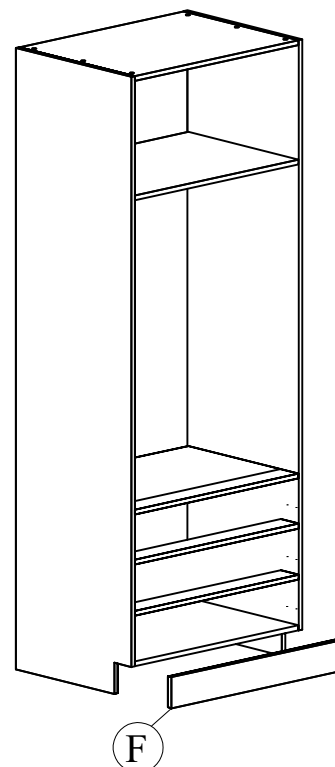
- * Left side panel (A)



Step 6

Insert the toe kick

- * Toe kick (F)

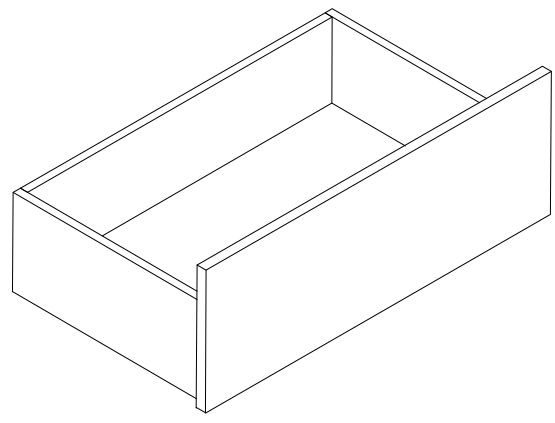
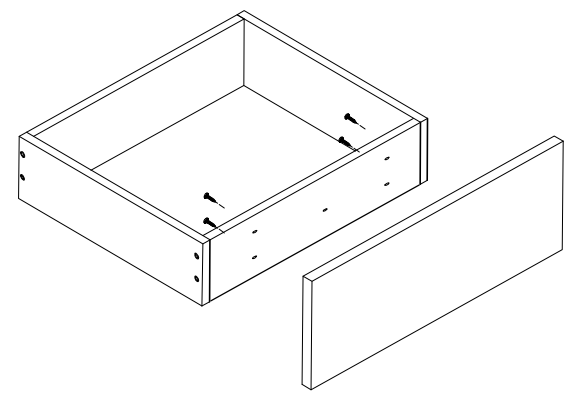
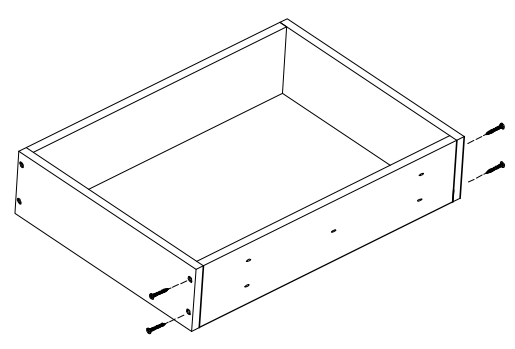
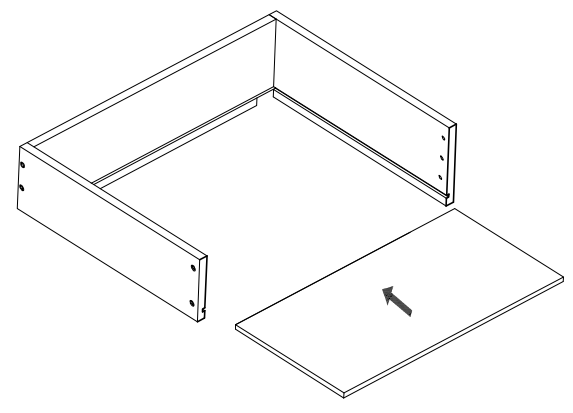
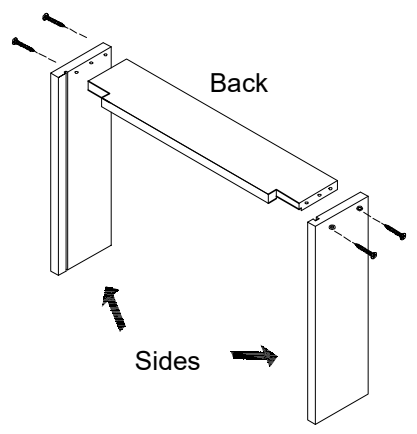


Drawer Assembly Drawing

9



36 PCS

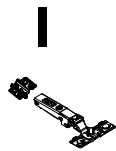


Step 7

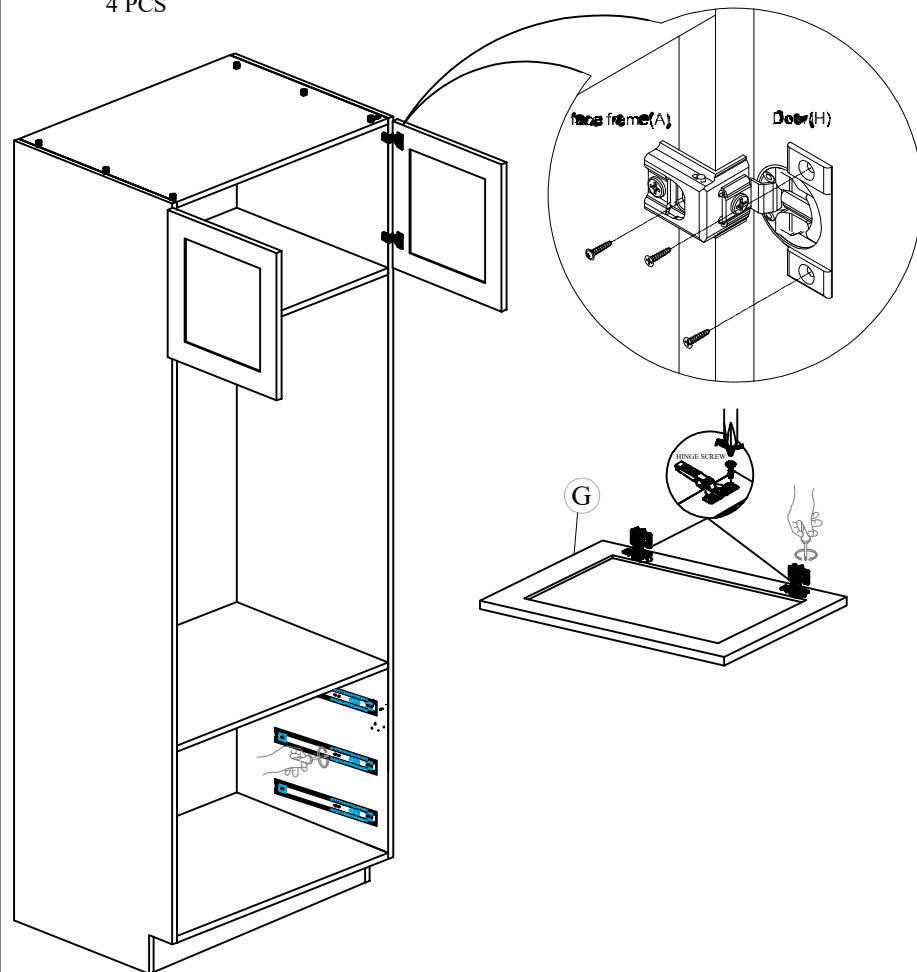
Attach hinges to doors and cabinets

* Door (G)

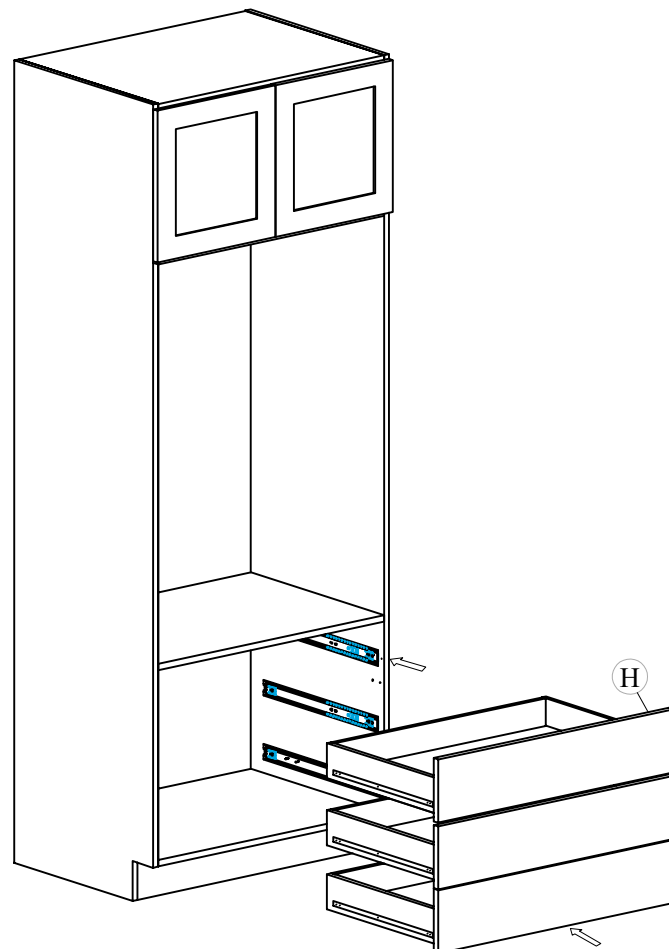
* Drawers(H)



4 PCS



Step 8



►Maintenance

For daily cleaning, use a dry cloth and a soft liquid cleaner.

Never use abrasive cleaners containing acetone, chlorine or strong bleach. Also, do not use tools as scrapers, metallic brushes, and other products which can scratch or tarnish surfaces.

Under no circumstances should you use chrome cleaner on chrome-plated or brass trim, hinges, handles, sockets etc.

Good ventilation is essential for maintaining the quality and look of this furniture.

Warranty and Customer Care Information

For the most up to date warranty information for your product, please visit our website - www.cabinetstogo.com to get the specific details. If you have any questions with warranties or to make a claim, please contact Customer Care by email - customer care@cabinetstogo.com or call 1-800-CABINET.