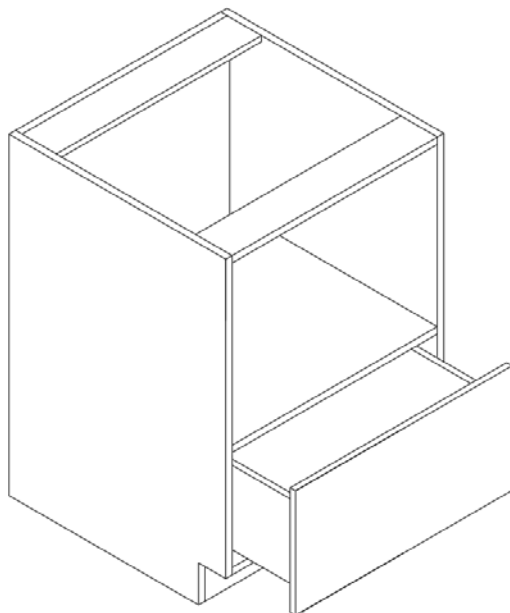


## ASSEMBLY INSTRUCTIONS



**These assembly instructions are only applicable for all Microwave Base  
ITEM No.:MBC30**



**ATTENTION:** For questions or concerns about your cabinets, assembly or installation, please contact our dedicated Customer Care Team at **1-800-CABINET (222-4638)**. Our Customer Care associates are here for you every step of the way.

**► General Instructions:**

Thank you for purchasing a Cabinets To Go product. You are now the proud owner of a high quality product designed to face the test of daily use and guaranteeing your enjoyment for many years to come.

Carefully read the instructions before starting the installation.

During assembly, please follow all generally accepted safety procedures.

Failure to adhere to the following instructions will invalidate the warranty and Cabinets To Go will decline any responsibility for any damages caused. Any installation which does not correspond to the instructions may result in defects, malfunctioning parts, significant damage and/or injury.

Before the assembly begins, check that all appropriate and required plumbing and electrical connections exist.

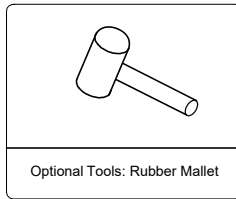
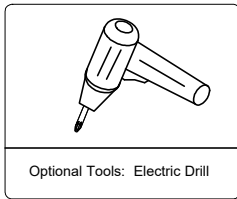
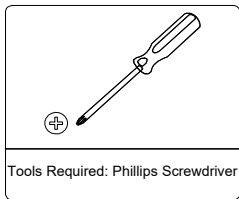
Before drilling, make absolutely sure that there are no pipes (gas, water, electricity, heating, etc.) at the drilling location. Cabinets To Go will not be held responsible for failure to follow these instructions.

PRIOR TO ASSEMBLY, PLEASE MAKE SURE YOU HAVE ONE FACE FRAME BOX AND ONE CARCASS BOX, WHICH HAVE ALL THE PARTS IN THE QUANTITIES MENTIONED BELOW. IF YOU ARE MISSING ANY PARTS, PLEASE STOP AND CONTACT CUSTOMER CARE IMMEDIATELY AT 1-800-CABINET.

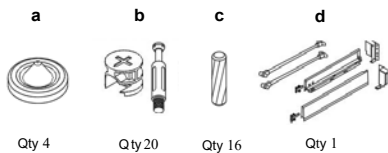
**► Items Quantity**

Item	Description	Qty
A	Drawer Front	1
B	Shelf	1
C	Side Panels (Left & Right)	2
D	Back Panel	1
E	Bottom Panel	1
F	Toe Kick	1
G	Braces	2
H	Drawer Box (Back Panel & Bottom Panel)	1
<b>Hardware Box</b>	Bumpers 4pcs, Cam Locks Male & Female 20pcs, Wooden Dowels 16pcs, European High Drawer Box Kit 1pc	

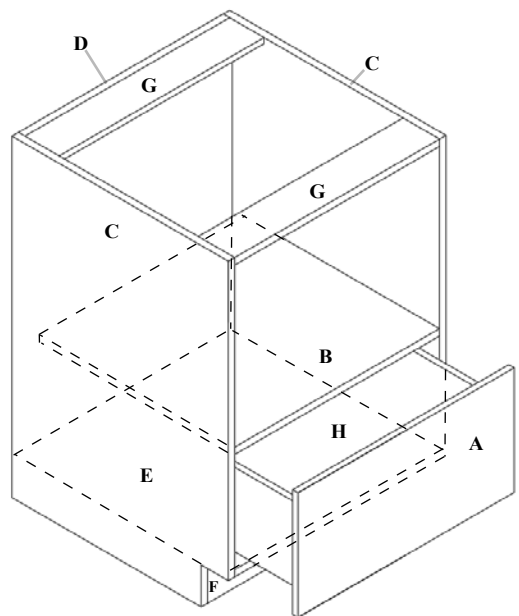
**► Required tools:**



**► Hardware Box:**



The materials listing above are for the largest unit in this instruction set. Smaller units may require less hardware and materials; therefore, your item may contain a smaller number of each.



►Instructions:

1. Unpack box & identify pieces on Page 2. Place side panels (C) onto a soft work surface. (Figure 1)
2. Install glides onto side panels. (Figure 2)  
(Glides and screws found in the European High Drawer Box Kit.)
3. Install metal male cam locks (b) into designated holes on side panel (C) and bottom panel (E). Use screwdriver to tighten. Install the wooden dowels (c) into designated holes. (Figure 3)
4. Install the toe kick (F) onto bottom panel (E). (Figure 3)
5. Install braces (G) & back panel (D) onto the right side panel (C). (Figure 3)
6. Install locking lugs (b) into designated holes, and then lock them with a screwdriver. (Figure 4)
7. Install side panel (C) onto the assembled panels using the same methods above. (Figure 5)

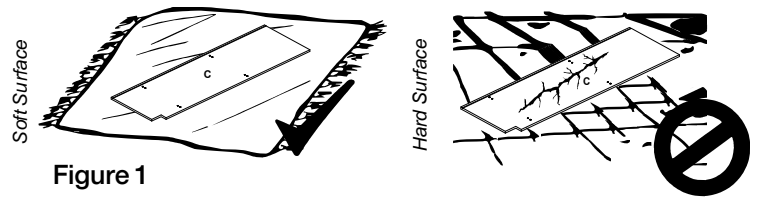


Figure 1

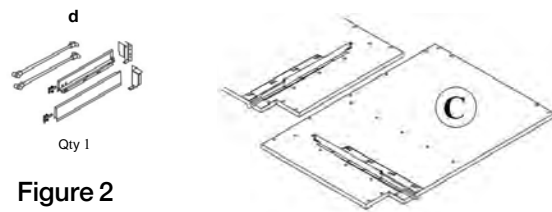


Figure 2

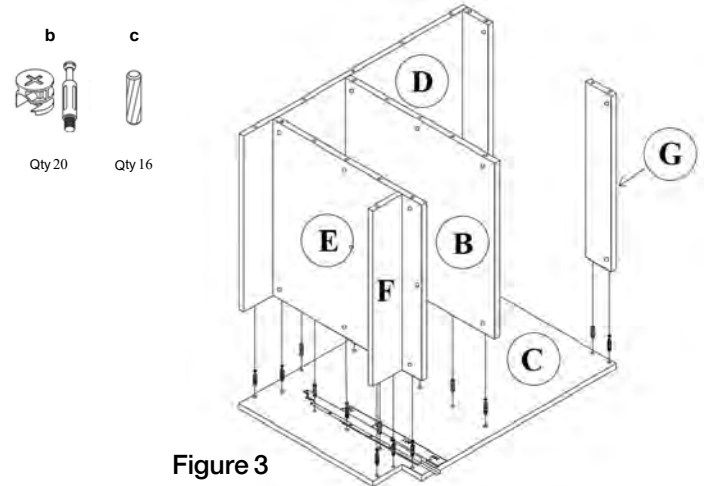


Figure 3

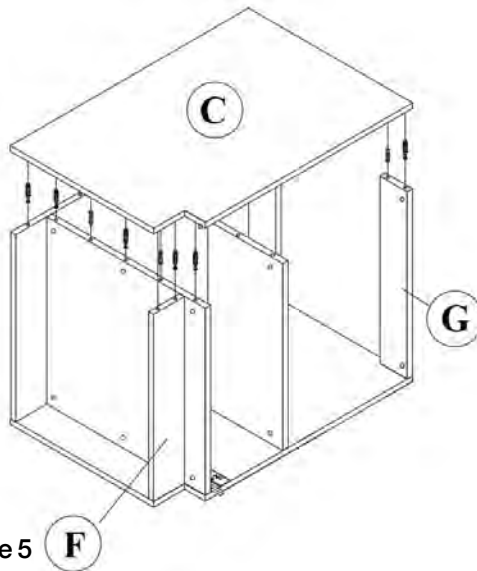


Figure 5

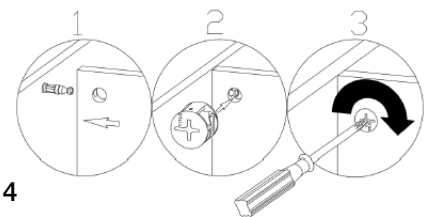


Figure 4

8. Install the drawer as the images below. (Figure 6)

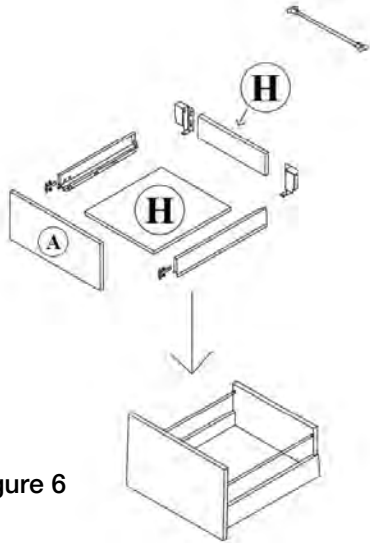
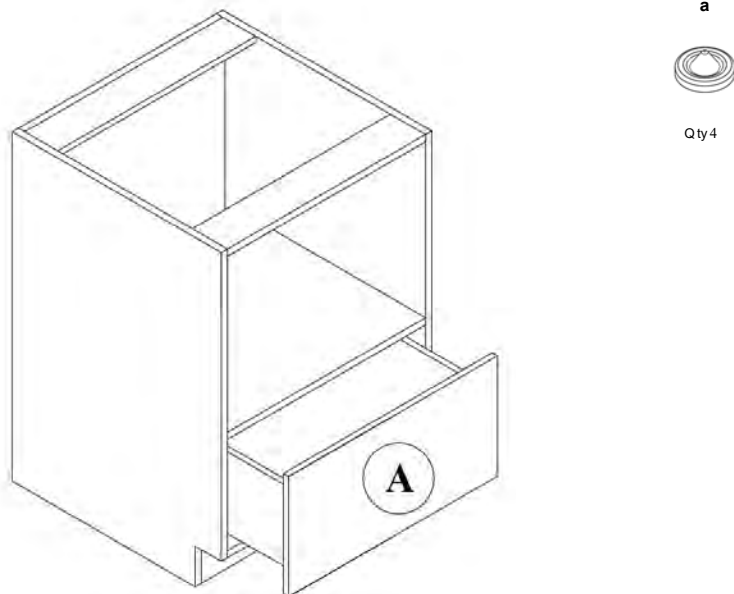


Figure 6

9. Install assembled drawer box into the assembled cabinet.  
Install the bumpers (a) onto the drawer front corners.



**► Maintenance**

For daily cleaning, use a dry cloth and a soft liquid cleaner.

Never use abrasive cleaners containing acetone, chlorine or strong bleach. Also, do not use tools as scrapers, metallic brushes, and other products which can scratch or tarnish surfaces.

Under no circumstances should you use chrome cleaner on chrome-plated or brass trim, hinges, handles, sockets etc.

Good ventilation is essential for maintaining the quality and look of this furniture.

**Warranty and Customer Care Information**

For the most up to date warranty information for your product, please visit our website - [www.cabinetstogo.com](http://www.cabinetstogo.com) to get the specific details. If you have any questions with warranties or to make a claim, please contact Customer Care by email - [customercare@cabinetstogo.com](mailto:customercare@cabinetstogo.com) or call 1-800-CABINET.