

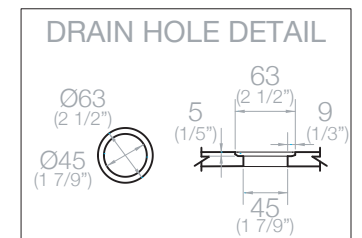
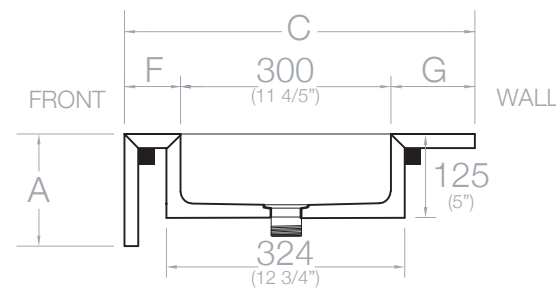
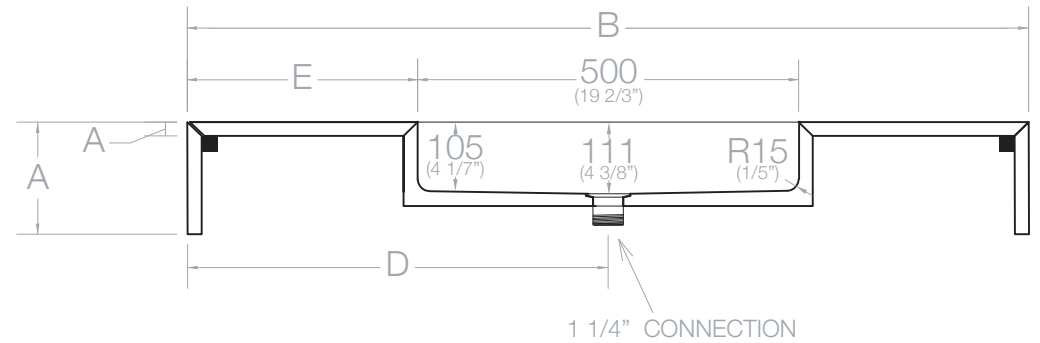
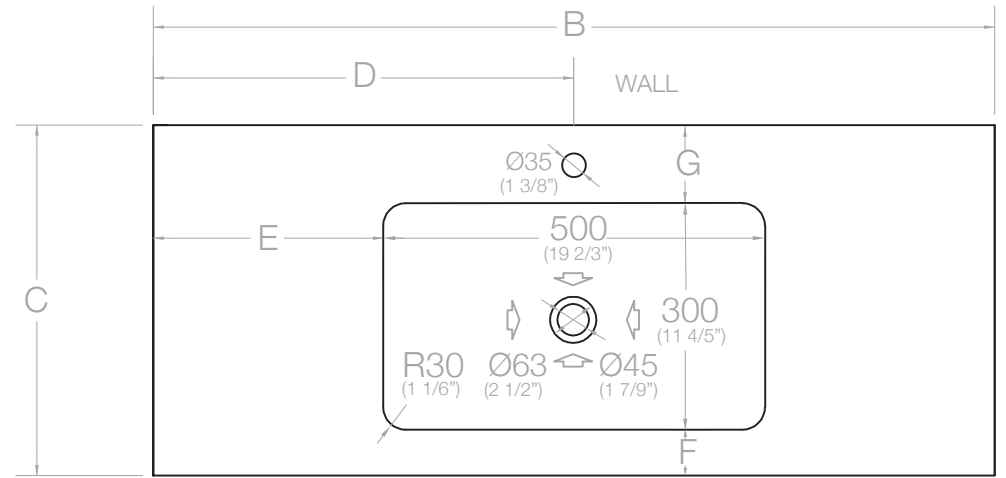
Evita S Sink

The model EVITA has not the possibility to modify the size of the basin/sink (Integrity technology).

Accessories Included:

- Drain valve
- Support bars for wall-hung installation (with skirt)

The **reinforcements** are needed at least in an undermount basin and in the mitred front.



Evita L Sink

The model EVITA has not the possibility to modify the size of the basin/sink (Integrity technology).

Accessories Included:

- Drain valve
- Support bars for wall-hung installation (with skirt)

The **reinforcements** are needed at least in an undermount basin and in the mitred front.

