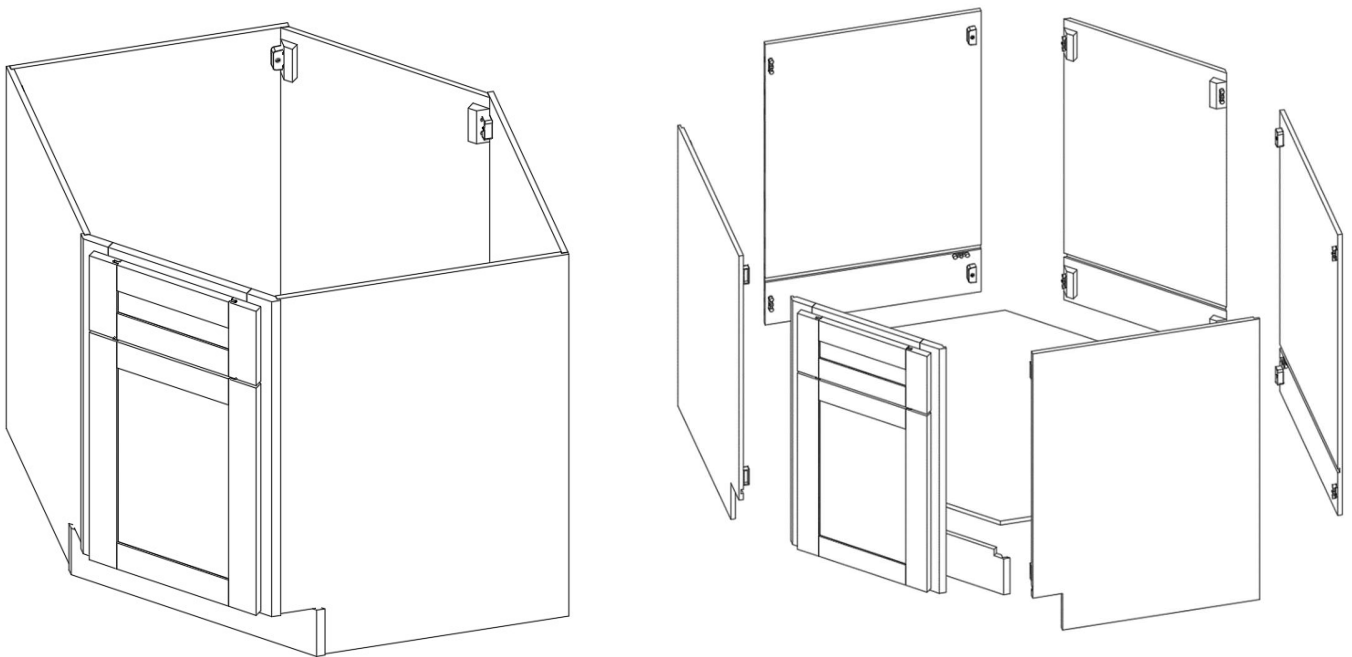


**CABINETS** WOW  
**TO GO** FOR  
LESS.


Findley  
& Myers  
FINE CABINETRY MAKERS

## ASSEMBLY INSTRUCTIONS



These assembly instructions are only applicable for all Corner Cabinets

**CBD36**



**ATTENTION:** For questions or concerns about your cabinets, assembly or installation, please contact our dedicated Customer Care Team at **1-800-CABINET (222-4638)**. Our Customer Care associates are here for you every step of the way.

**► General Instructions:**

Thank you for purchasing a Cabinets To Go product. You are now the proud owner of a high quality product designed to face the test of daily use and guaranteeing your enjoyment for many years to come.

Carefully read the instructions before starting the installation.

During assembly, please follow all generally accepted safety procedures.

Failure to adhere to the following instructions will invalidate the warranty and Cabinets To Go will decline any responsibility for any damages caused. Any installation which does not correspond to the instructions may result in defects, malfunctioning parts, significant damage and/or injury.

Before the assembly begins, check that all appropriate and required plumbing and electrical connections exist.

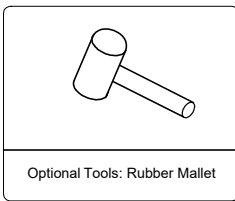
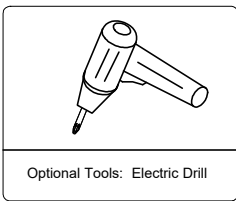
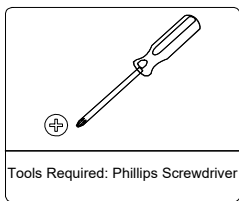
Before drilling, make absolutely sure that there are no pipes (gas, water, electricity, heating, etc.) at the drilling location. Cabinets To Go will not be held responsible for failure to follow these instructions.

PRIOR TO ASSEMBLY, PLEASE MAKE SURE YOU HAVE ONE FACE FRAME BOX AND ONE CARCASS BOX, WHICH HAVE ALL THE PARTS IN THE QUANTITIES MENTIONED BELOW. IF YOU ARE MISSING ANY PARTS, PLEASE STOP AND CONTACT CUSTOMER CARE IMMEDIATELY AT 1-800-CABINET.

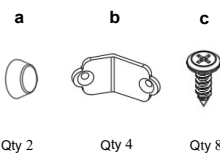
**► Items Quantity**

Item	Description	Qty
A	Left Back Side Panel	1
B	Right Back Side Panel	1
C	Back Panel	1
D	Left Front Side Panel	1
E	Right Front Side Panel	1
F	Frame & Doors: (1 Lower Door, 1 False Drawer Front)	1 Set
G	Toe Kick	1
H	Bottom Panel	1
Hardware Box	Bumper 2pcs, 1/2" Round Head Screws 8pcs, Metal 135° Brackets 4pcs	

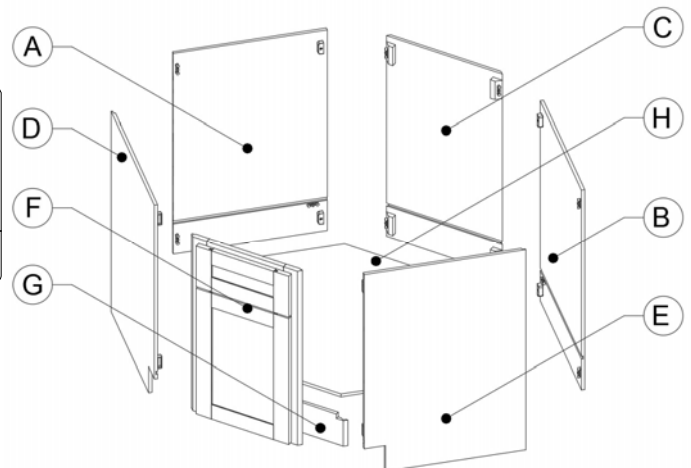
**► Required tools:**



**► Hardware Box:**



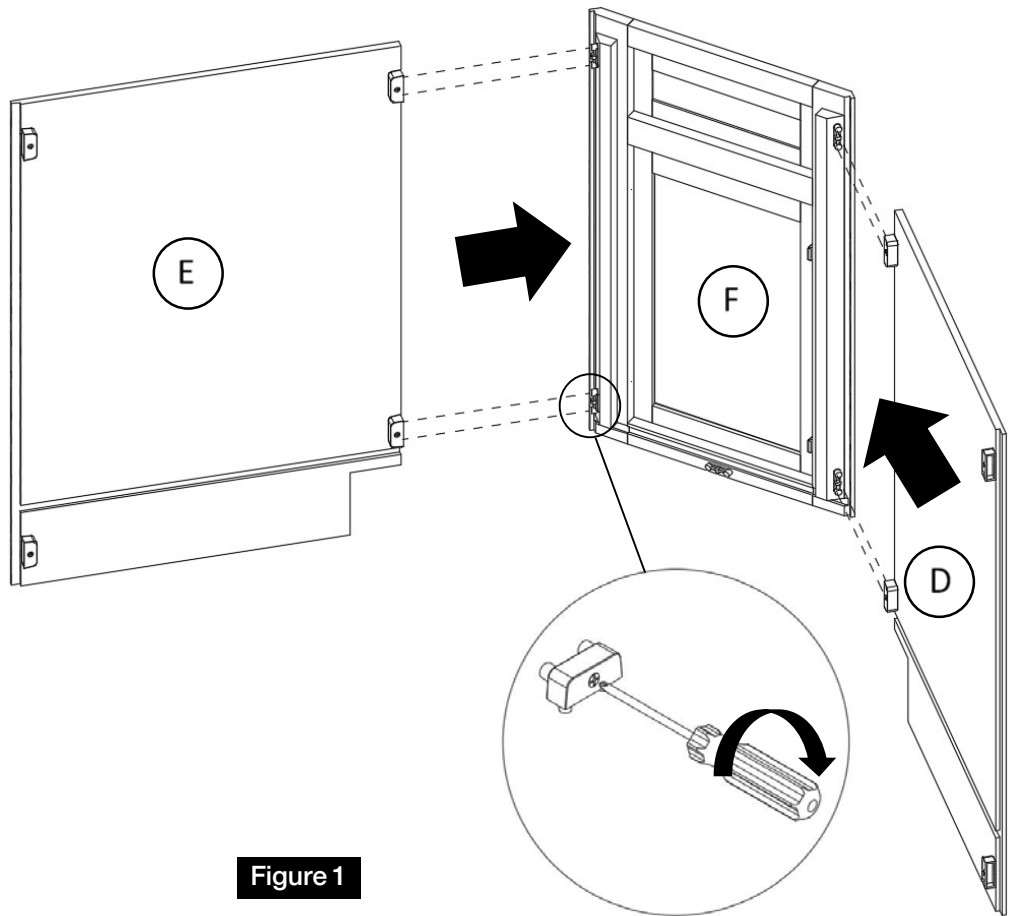
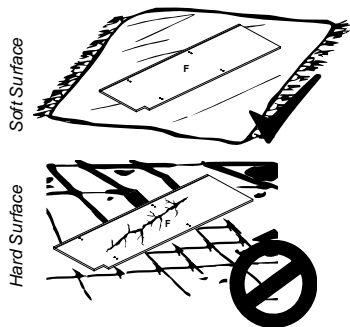
The materials listing above are for the largest unit in this instruction set. Smaller units may require less hardware and materials; therefore, your item may contain a smaller number of each.



**1**

Assemble the Side Panels (E,D) onto the Frame (F) by connecting the male and female cam locks and using a screwdriver to turn the lock clockwise. (Figure 1)

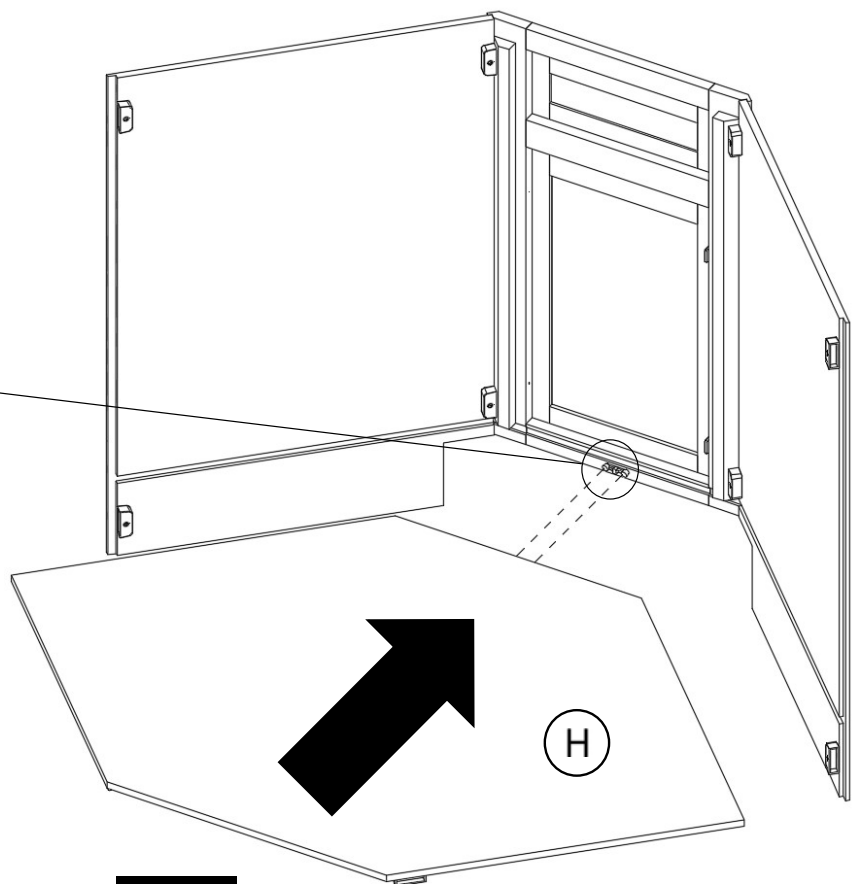
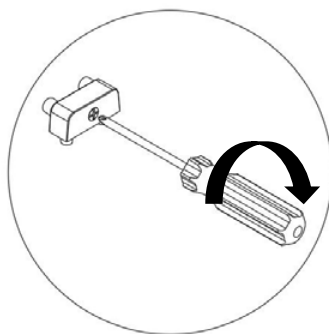
{NOTE: Assemble cabinet parts on a flat smooth soft work surface.}



**Figure 1**

**2**

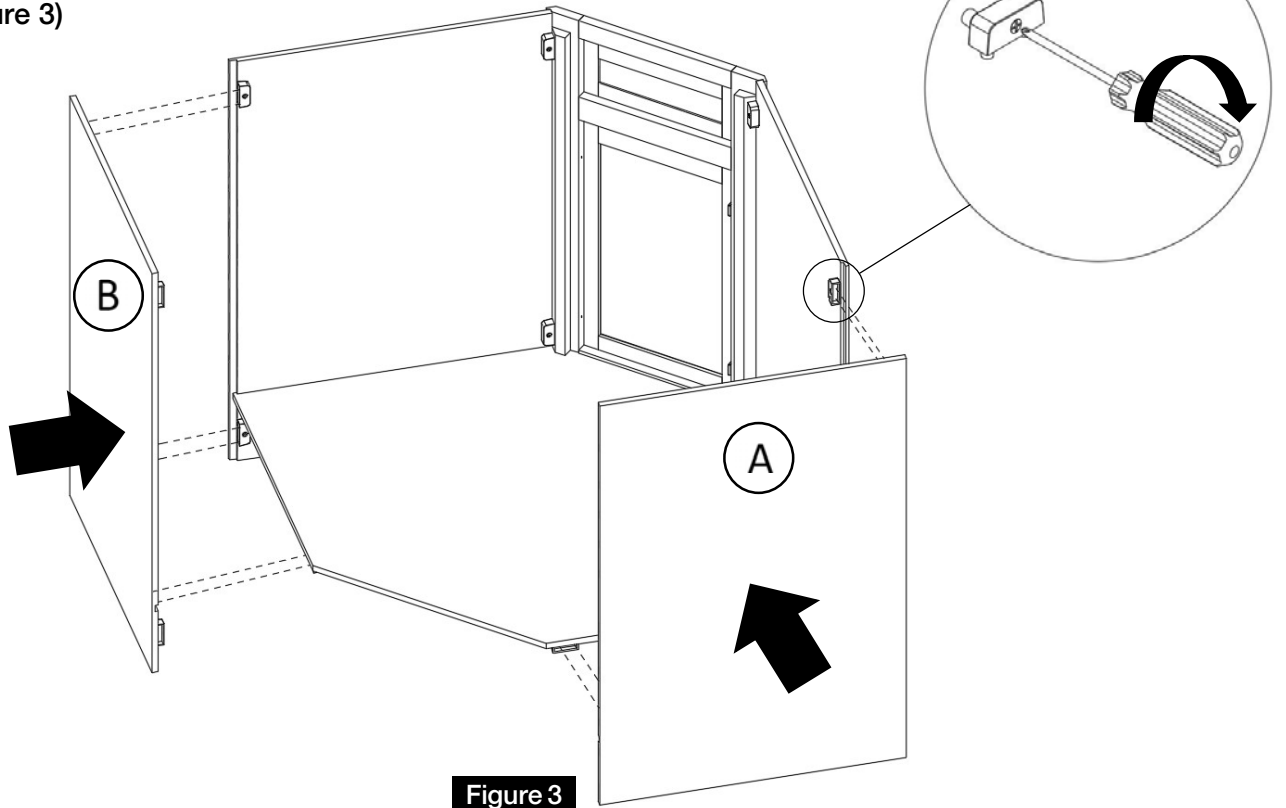
Insert the bottom panel (H) into the slots of the side panels and lock the cam lock connector. (Figure 2)



**Figure 2**

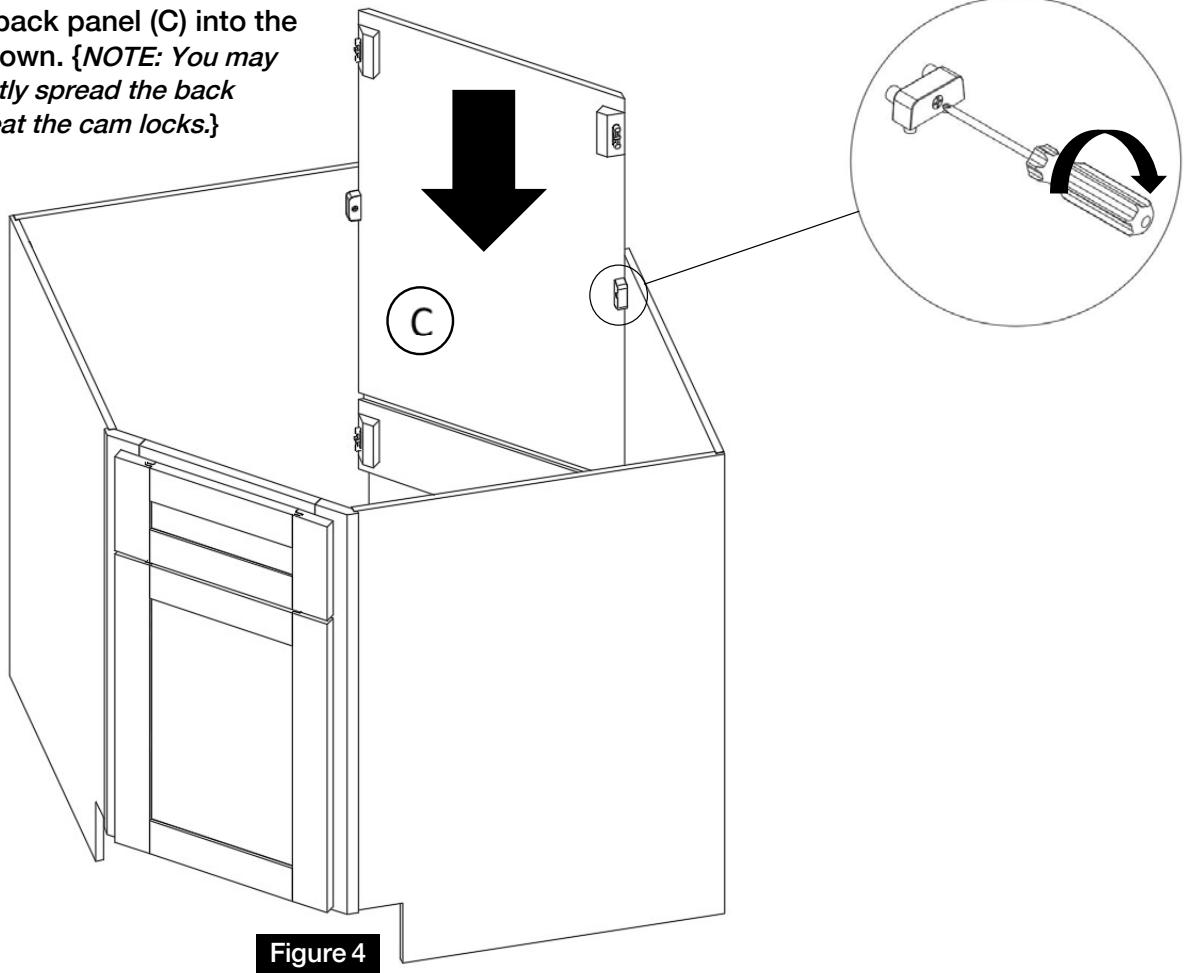
3

Assemble the back side panels (A,B) onto the front side panels and bottom panel.  
(Figure 3)

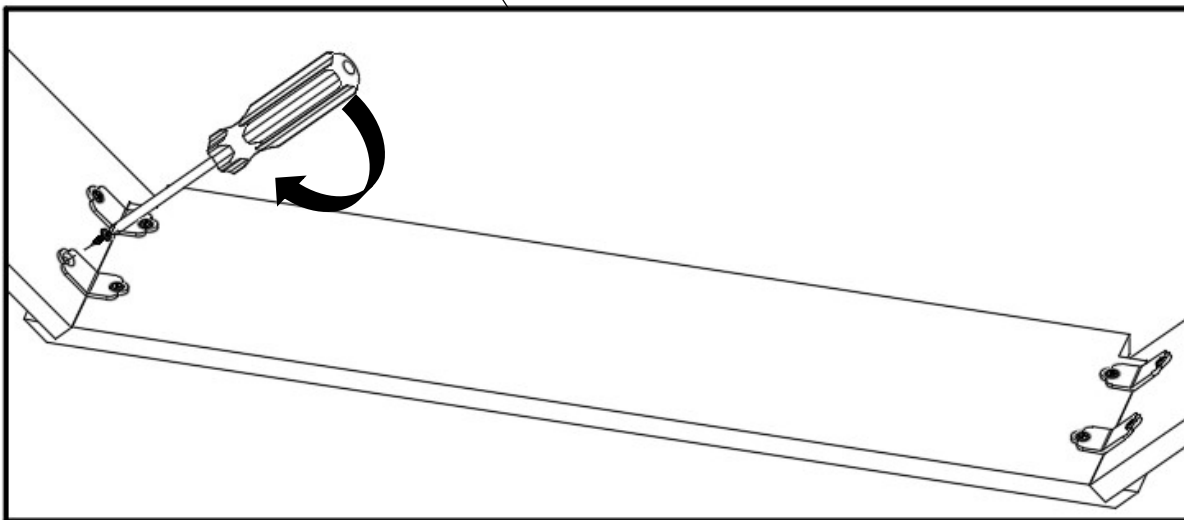
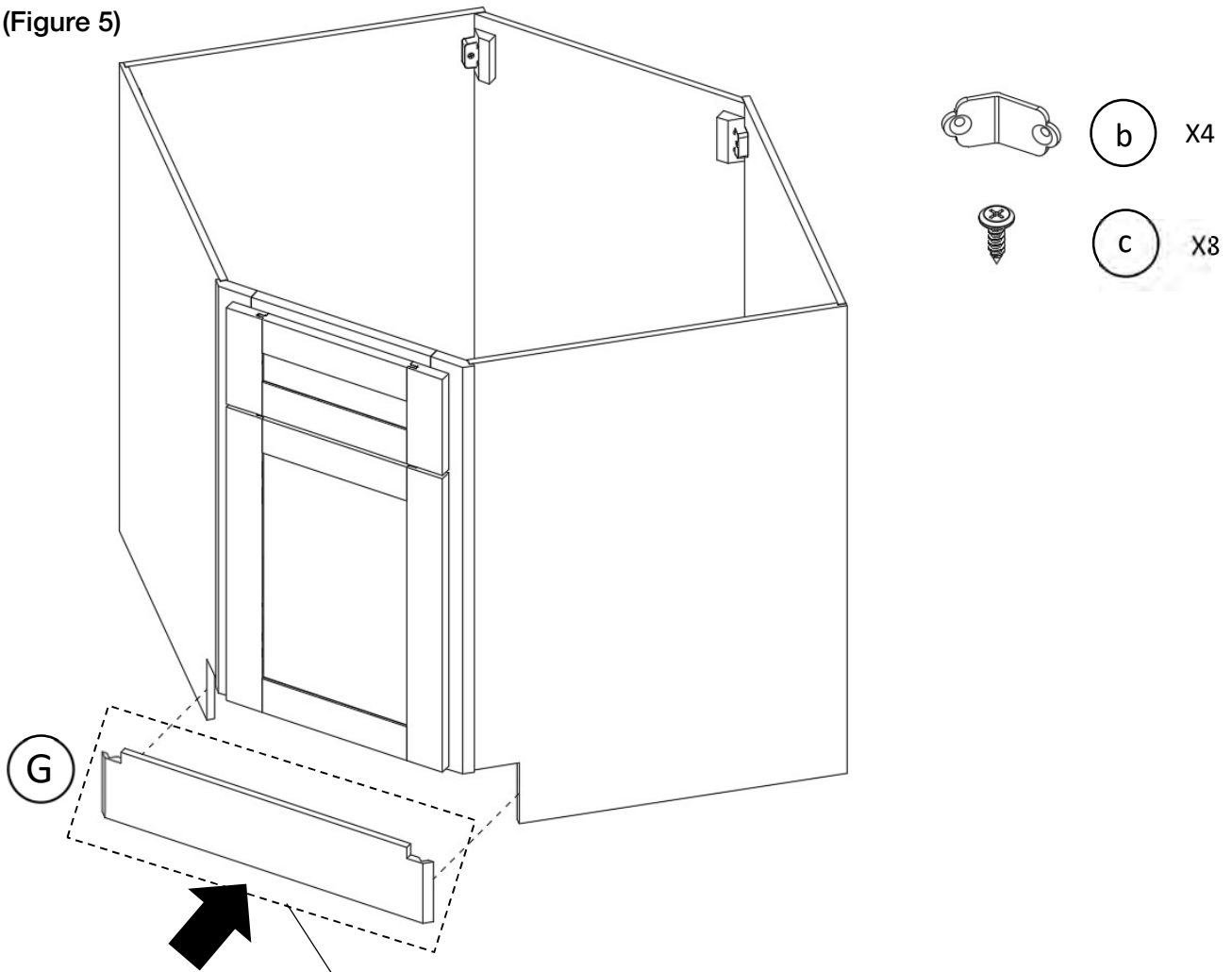


4

Install the back panel (C) into the position shown. {NOTE: You may need to gently spread the back panels to seat the cam locks.}  
(Figure 4)



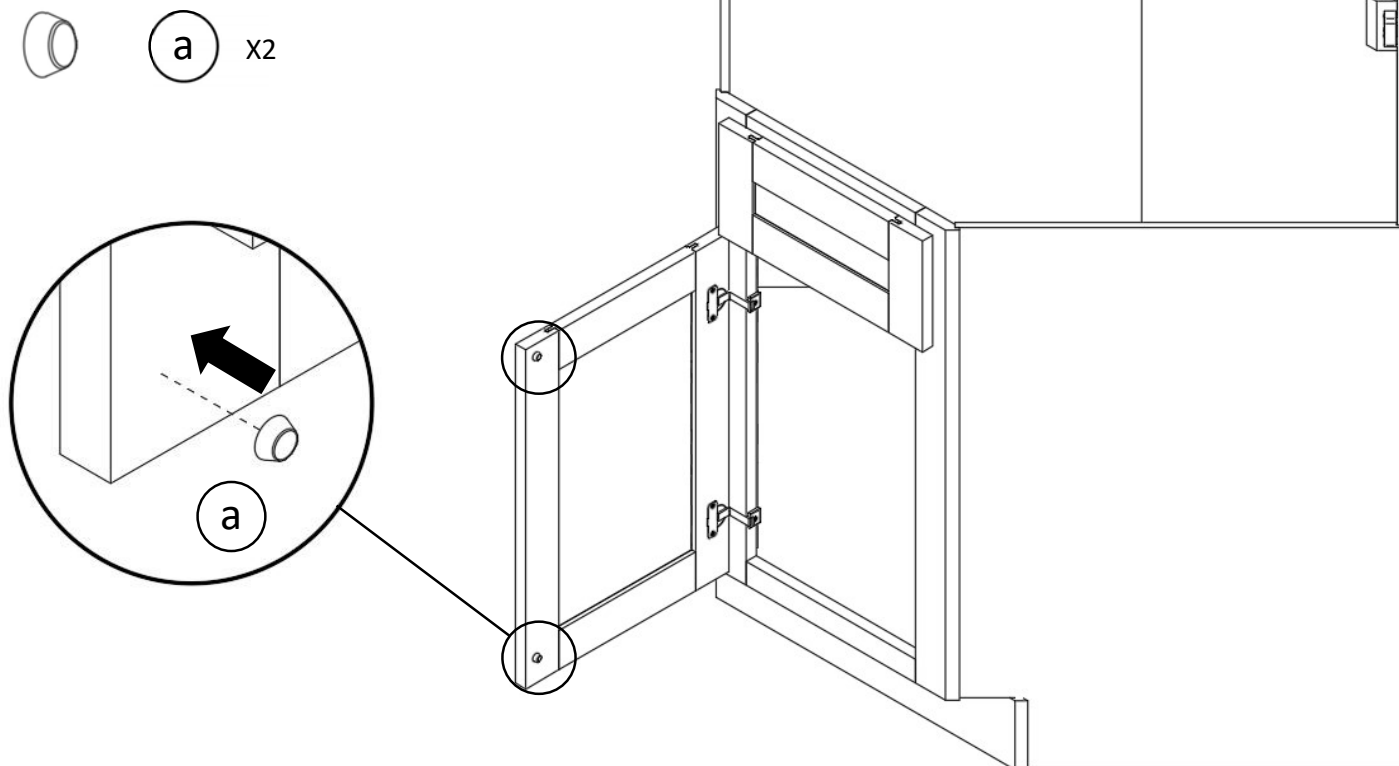
**5** Install the toe kick (G) to the assembled cabinet. You may lay the cabinet face down on a soft flat surface to better install the brackets (b) using screws (c).  
(Figure 5)



**Figure 5**

**6**

Install the bumpers (a) onto the door at the corners where the door comes in contact with the frame. (Figure 5)



#### ► **Maintenance**

For daily cleaning, use a dry cloth and a soft liquid cleaner.

Never use abrasive cleaners containing acetone, chlorine or strong bleach. Also, do not use tools as scrapers, metallic brushes, and other products which can scratch or tarnish surfaces.

Under no circumstances should you use chrome cleaner on chrome-plated or brass trim, hinges, handles, sockets etc.

Good ventilation is essential for maintaining the quality and look of this furniture.

#### **Warranty and Customer Care Information**

For the most up to date warranty information for your product, please visit our website - [www.cabinetstogo.com](http://www.cabinetstogo.com) to get the specific details. If you have any questions with warranties or to make a claim, please contact Customer Care by email - [customer care@cabinetstogo.com](mailto:customer care@cabinetstogo.com) or call 1-800-CABINET.