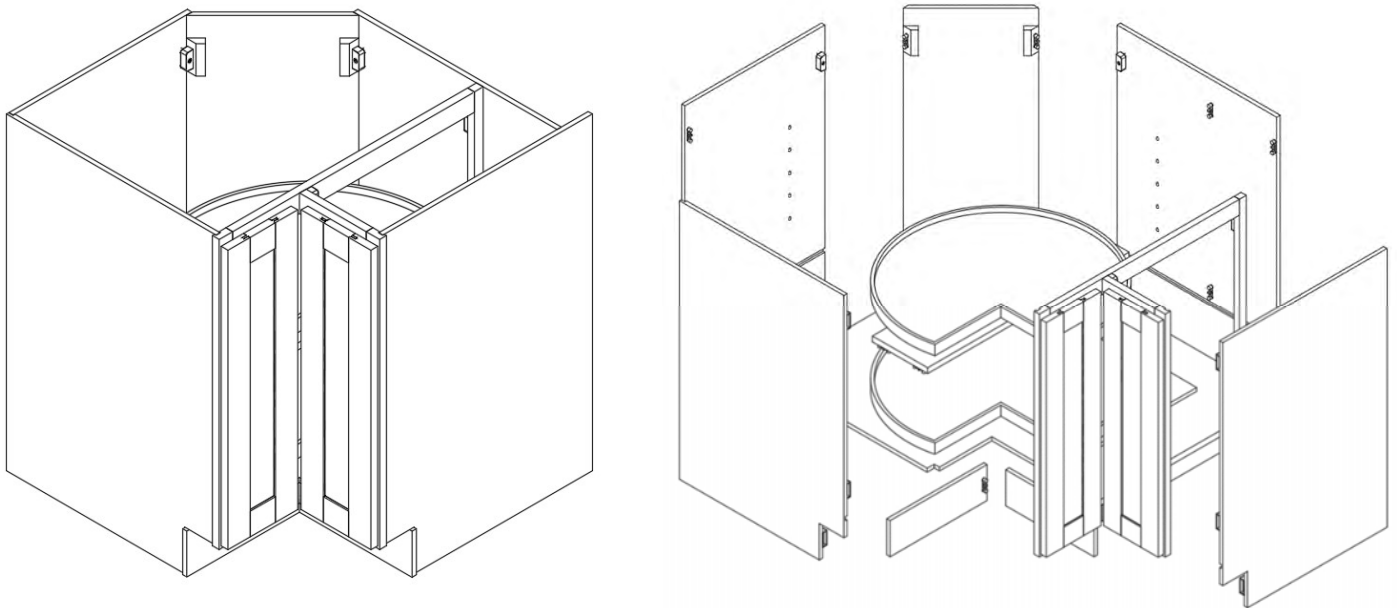


CABINETS WOW
TO GO FOR
LESS.




ASSEMBLY INSTRUCTIONS



These assembly instructions are only applicable for all Lazy Susan Cabinets

ITEM# CB33, CB36



**WOW
SERVICE**

ATTENTION: For questions or concerns about your cabinets, assembly or installation, please contact our dedicated Customer Care Team at **1-800-CABINET (222-4638)**. Our Customer Care associates are here for you every step of the way.

► General Instructions:

Thank you for purchasing a Cabinets To Go product. You are now the proud owner of a high quality product designed to face the test of daily use and guaranteeing your enjoyment for many years to come.

Carefully read the instructions before starting the installation.

During assembly, please follow all generally accepted safety procedures.

Failure to adhere to the following instructions will invalidate the warranty and Cabinets To Go will decline any responsibility for any damages caused. Any installation which does not correspond to the instructions may result in defects, malfunctioning parts, significant damage and/or injury.

Before the assembly begins, check that all appropriate and required plumbing and electrical connections exist.

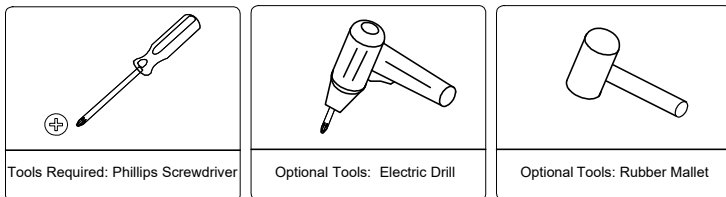
Before drilling, make absolutely sure that there are no pipes (gas, water, electricity, heating, etc.) at the drilling location. Cabinets To Go will not be held responsible for failure to follow these instructions.

PRIOR TO ASSEMBLY, PLEASE MAKE SURE YOU HAVE ONE FACE FRAME BOX AND ONE CARCASS BOX, WHICH HAVE ALL THE PARTS IN THE QUANTITIES MENTIONED BELOW. IF YOU ARE MISSING ANY PARTS, PLEASE STOP AND CONTACT CUSTOMER CARE IMMEDIATELY AT 1-800-CABINET.

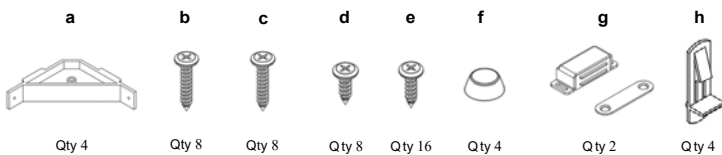
► Items Quantity

Item	Description	Qty
A	Back Left Side Panel	1
B	Back Right Side Panel	1
C	Back Panel	1
D	Front Left Side Panel	1
E	Front Right Side Panel	1
F	Full Frame	1
G	Partial Frame	1
H	Bottom Panel	1
I	Fixed Shelf	1
J	Turntables	2
K	Left Toe Kick	1
L	Right Toe Kick	1
M	Right Door	1
N	Left Door	1
O	165deg Hinges	2
P	Turntable Hardware	2
Hardware Box	Bumper 4pcs, Door Magnets 2pcs, Plastic Corner Brackets 4pcs, ST2.9*16mm Screws 8pcs, ST3.5*16mm Screws 8pcs, ST12mm Screws 8pcs, ST14mm Screws 16pcs, Shelf Clips 4pcs	

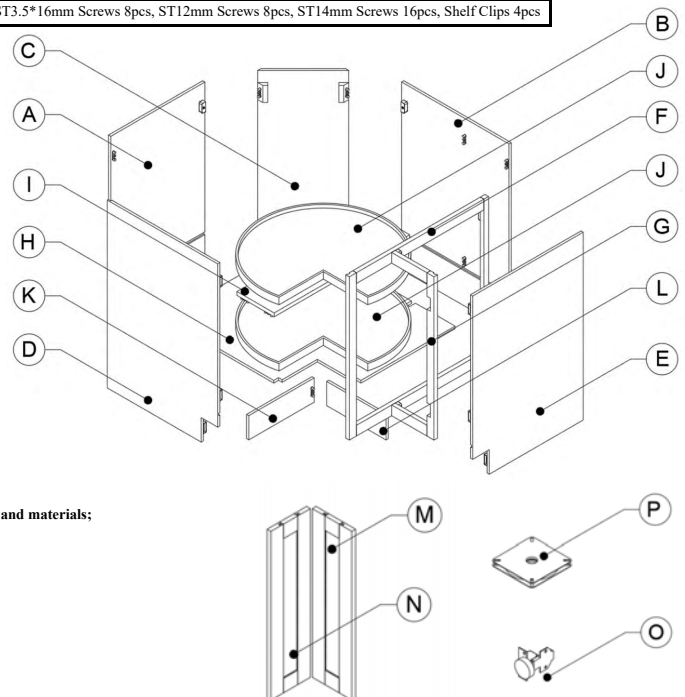
► Required tools:



► Hardware Box:



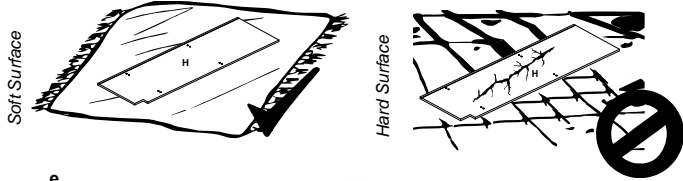
The materials listing above are for the largest unit in this instruction set. Smaller units may require less hardware and materials; therefore, your item may contain a smaller number of each.



1

Attach the turntable hardware (P) with screws (e) onto the bottom panel (H) using the pre-drilled holes. Then attach the turntable (J) onto hardware (P). (Figure 1)

{NOTE: Lay cabinet parts on a flat smooth soft work surface to assemble.}



e



Qty 8

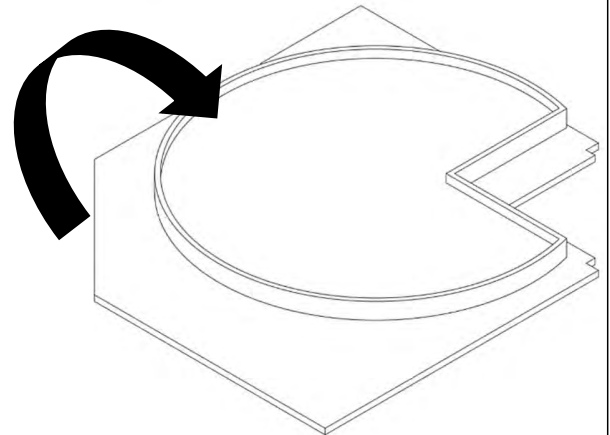
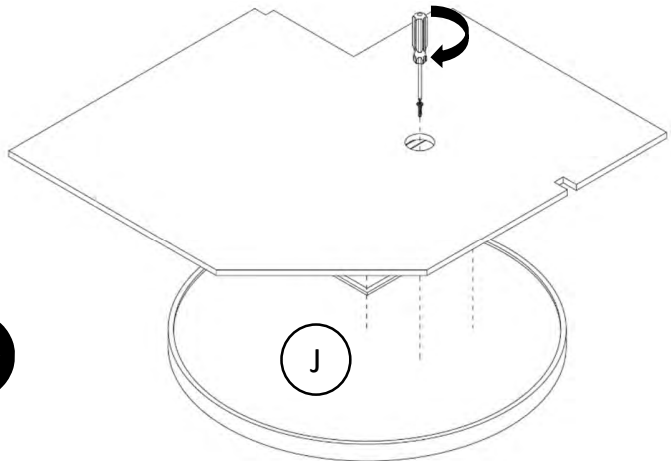
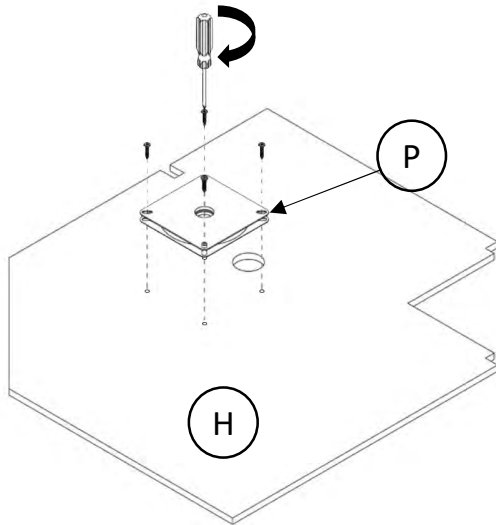


Figure 1

2

Same as Step 1, attach the turntable hardware (P) with screws (e) onto the Fixed Shelf (I) using the pre-drilled holes. Then attach the turntable (J) onto hardware (P). (Figure 2)

{NOTE: Cabinet full shelf may not look like the shelf shown here, but still assembles the same.}

e



Qty 8

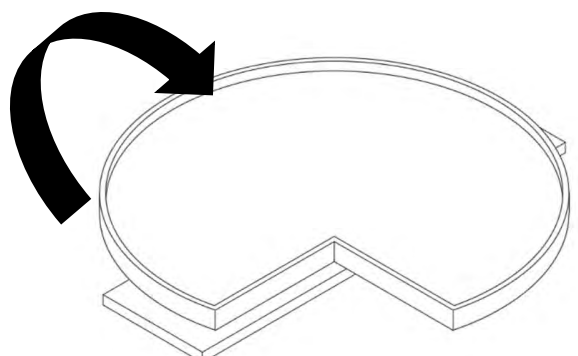
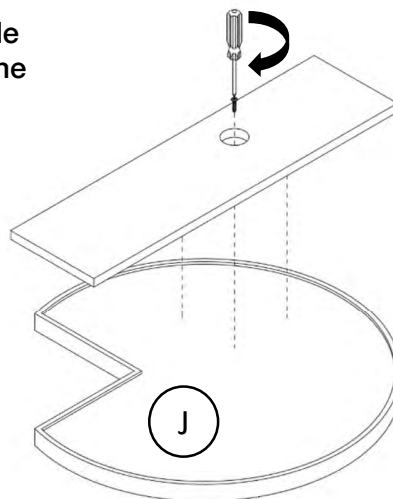
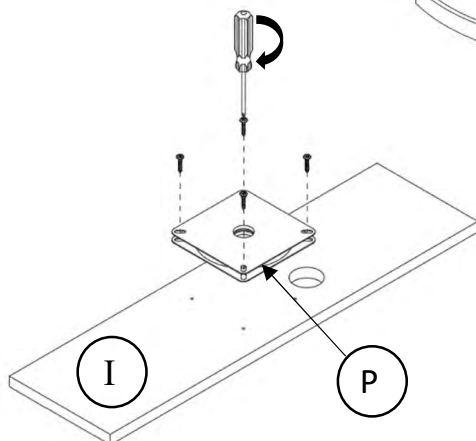


Figure 2

3

Assemble the side panel (D) with back side panel (A) by connecting the male and female cam locks and using a screwdriver to turn the lock clockwise. Repeat this procedure by assembling the back panel (C) with back side panel (A). (Figure 3)

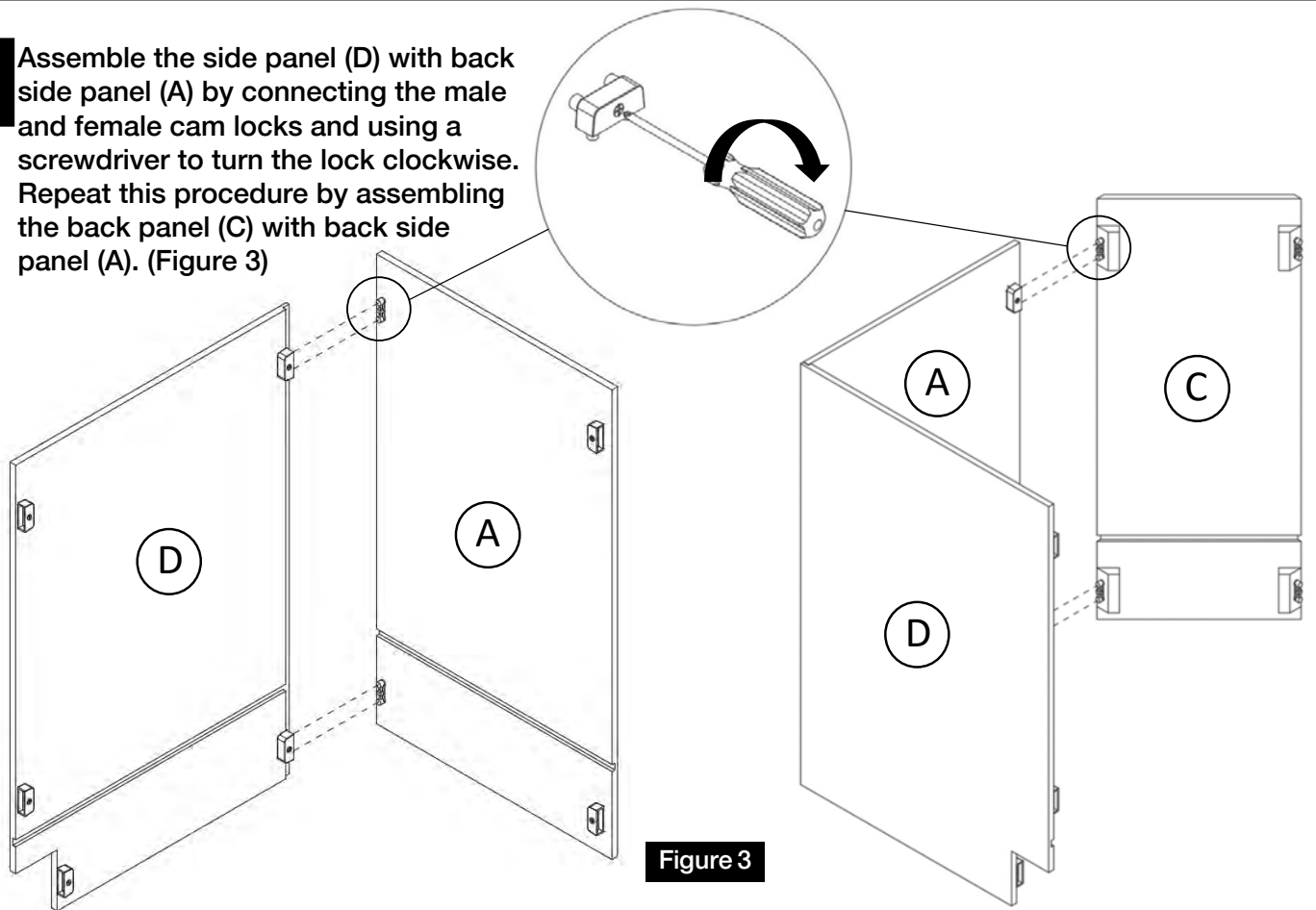


Figure 3

4

Assemble the back side panel (B) with back panel (C) in the same manner as described in Step 3. Insert the full frame (F) into position onto the bottom panel (H) as shown. Then insert the bottom panel (H) into the bottom groove of the assembled panels, and lock the cam locks. (Figure 4)

NOTE: Step 4 may be easier to complete with the assembled back panels against a wall or some other sturdy structure.

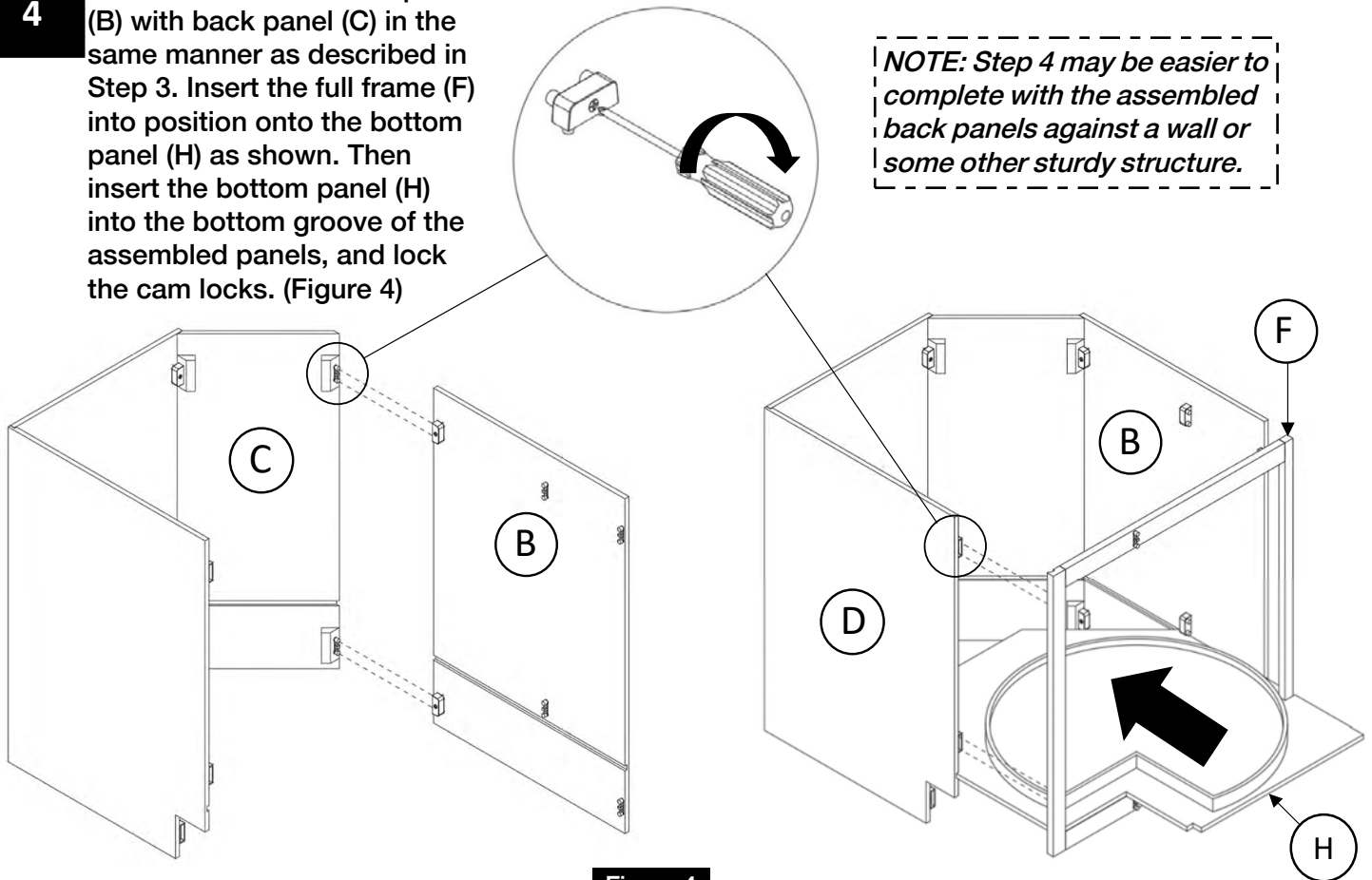
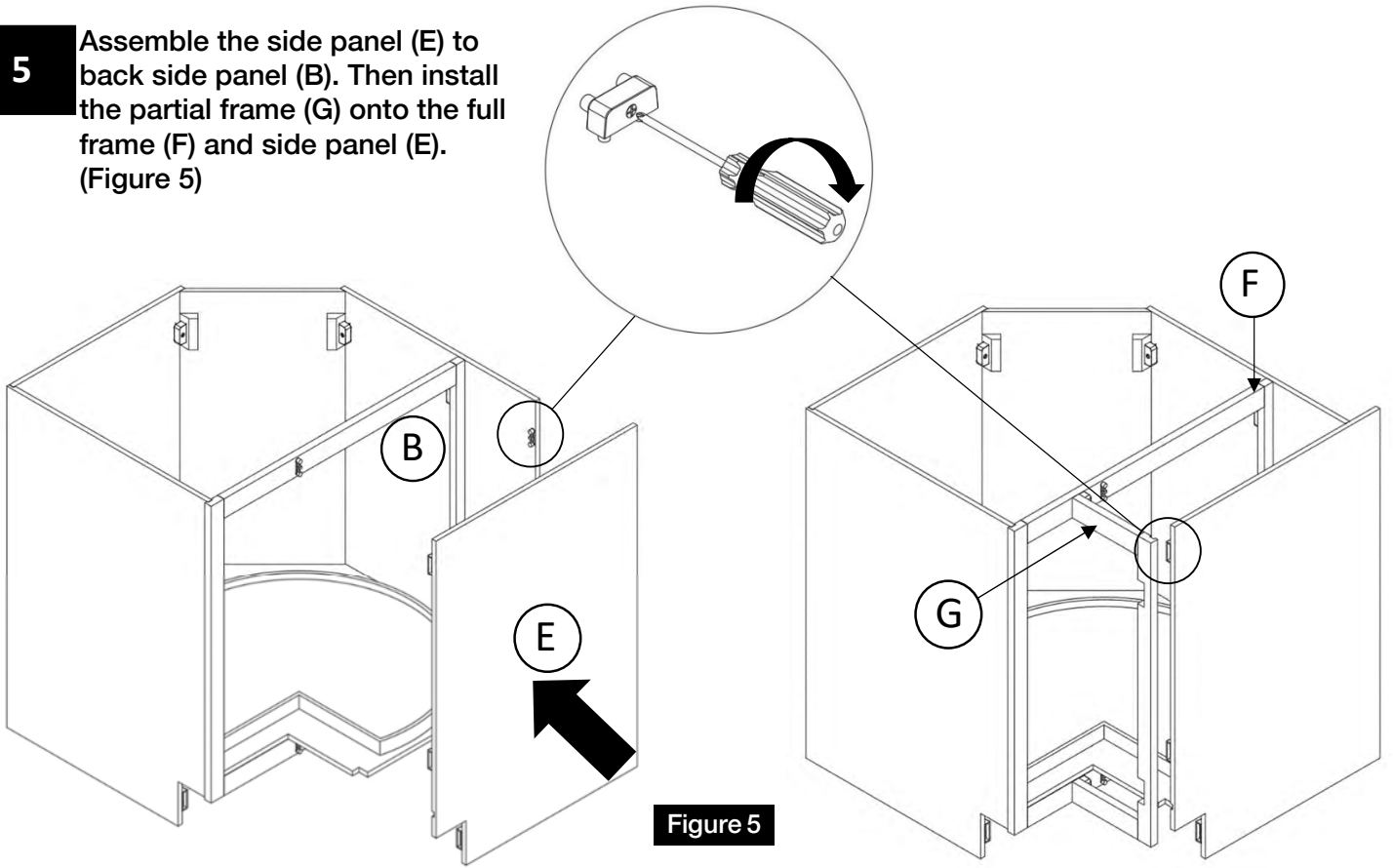


Figure 4

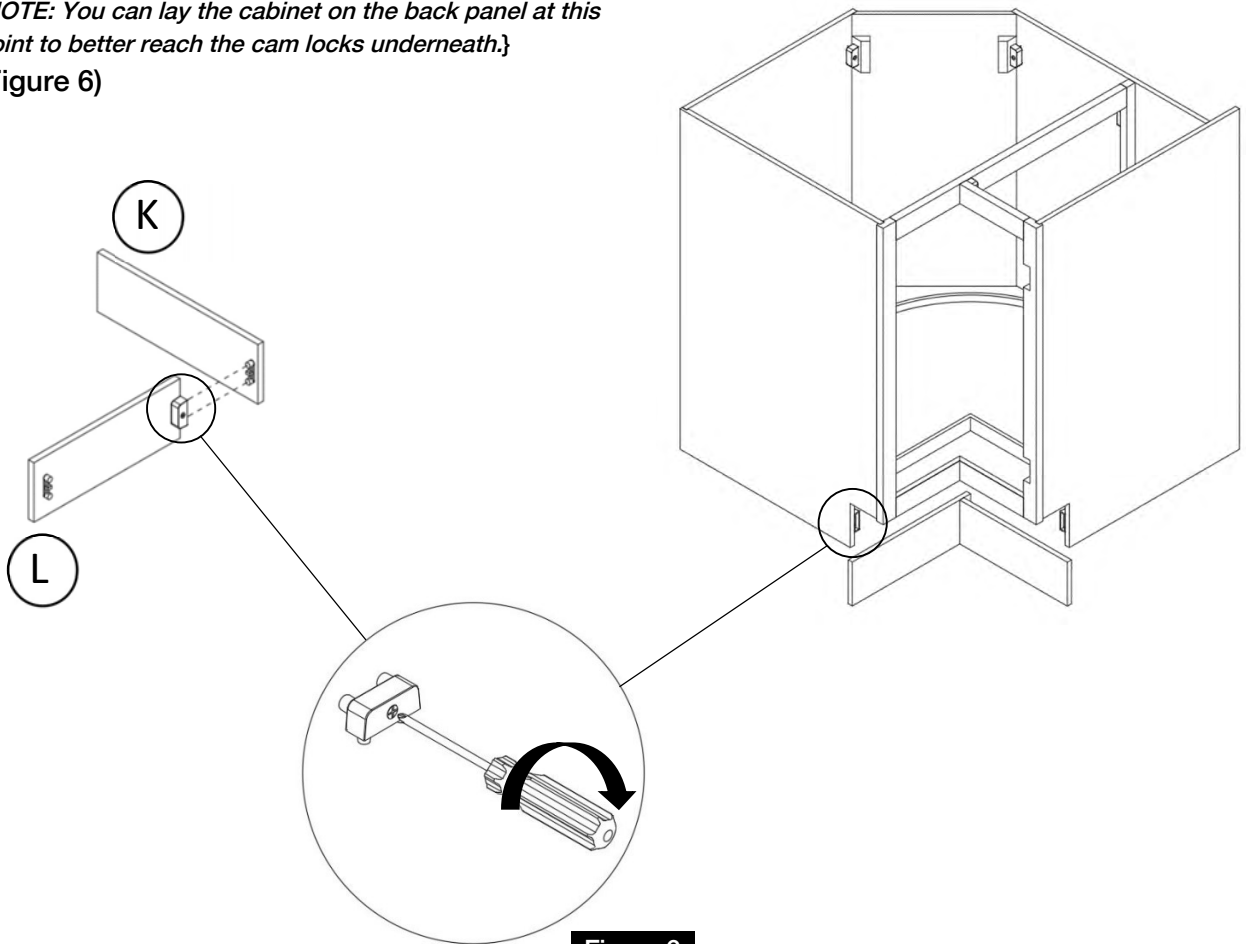
5

Assemble the side panel (E) to back side panel (B). Then install the partial frame (G) onto the full frame (F) and side panel (E). (Figure 5)



6

Attach the toe kicks (K&L) together, then install them to the assembled cabinet. {NOTE: You can lay the cabinet on the back panel at this point to better reach the cam locks underneath.} (Figure 6)



7

Insert the shelf clips (h) into the locations of your choosing. Attach the fixed shelf (I) from Step 2 to the cabinet by maneuvering the tray around the frame then down into position and clicking it into the shelf clips (h) on side panel (D) & back side panel (B). (Figure 7)

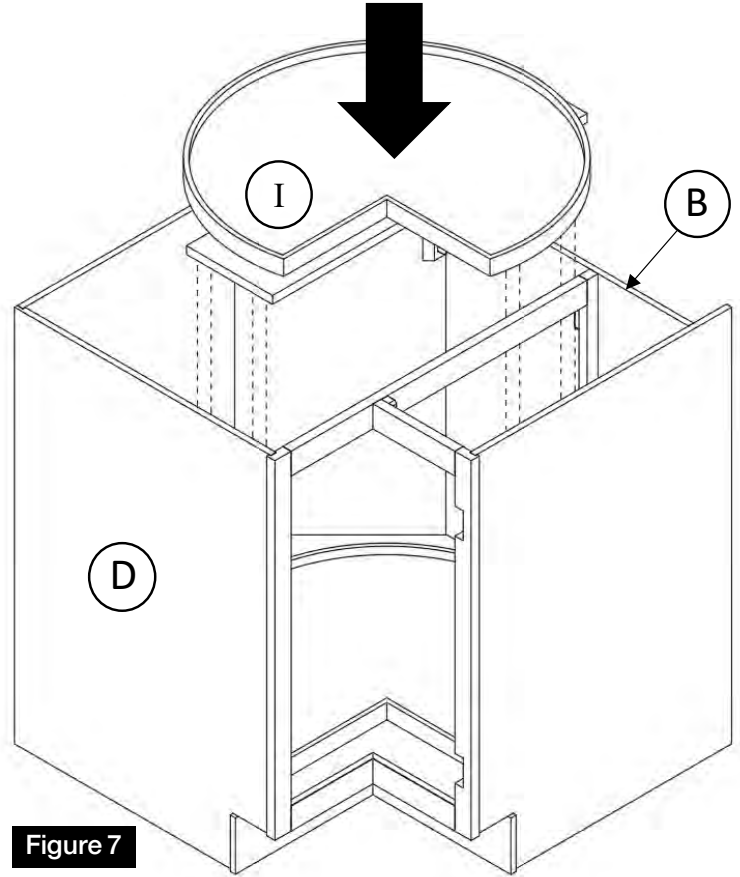
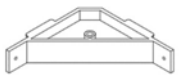
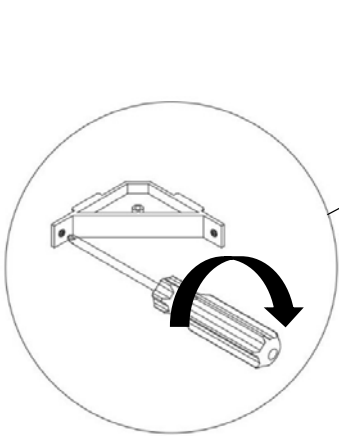


Figure 7

8

Install the corner brackets (a) into the top corners shown using screws (c). (Figure 8)



a X4



c X8

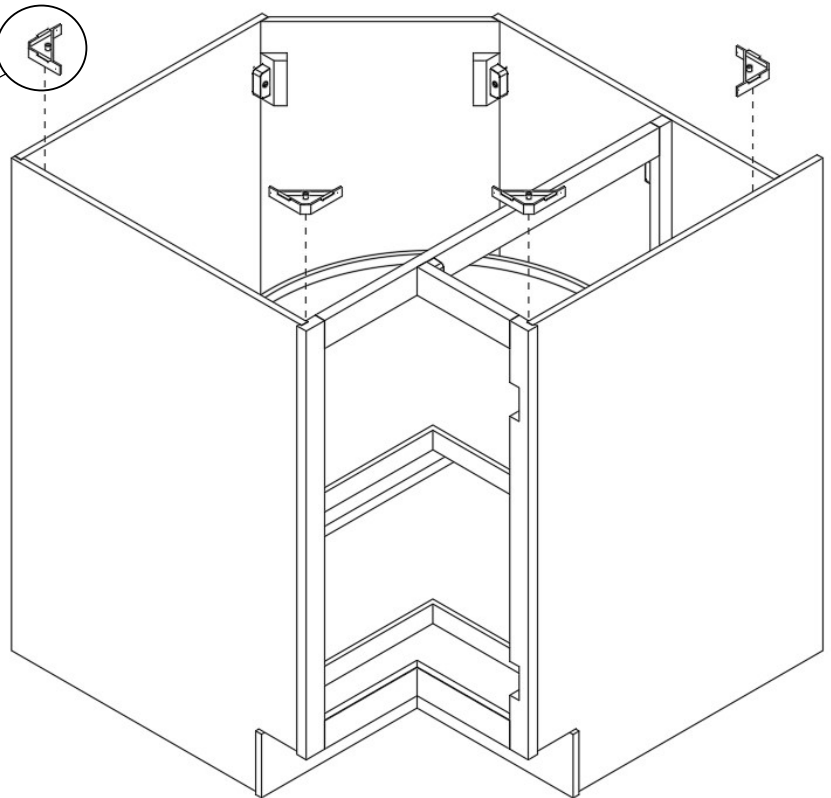
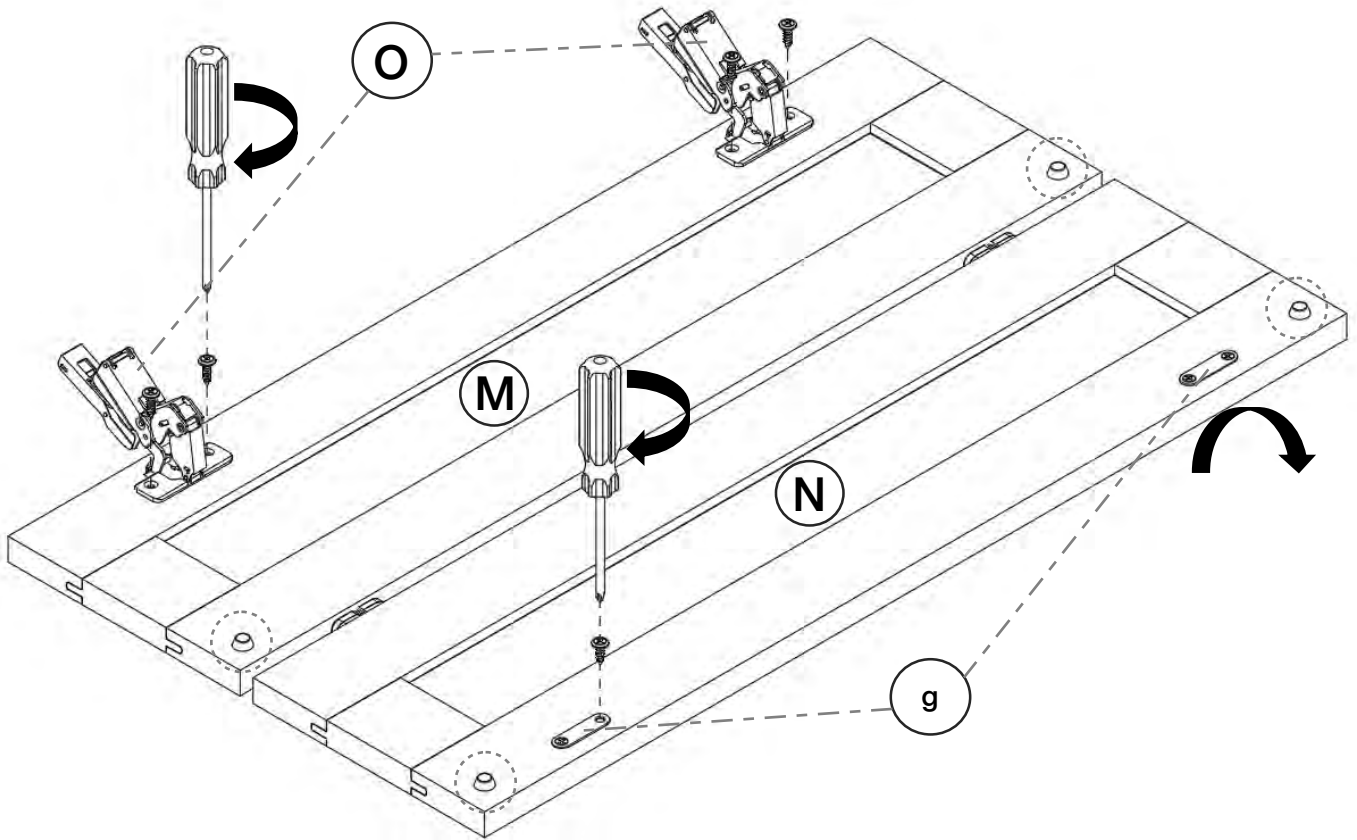


Figure 8

9

Attach hinges (O) with screws (d), and door magnets (g) with screws (b).
Install the bumpers (f) to the inside of the doors in the locations shown.
(Figure 9)



b

X4



d

X4



f

X4



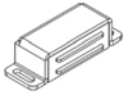
g

X2

Figure 9

10

Install the remainder of the door magnets (g) using screws (b) into the full frame using the pre-drilled holes. (Figure 10)



g X2



b X4

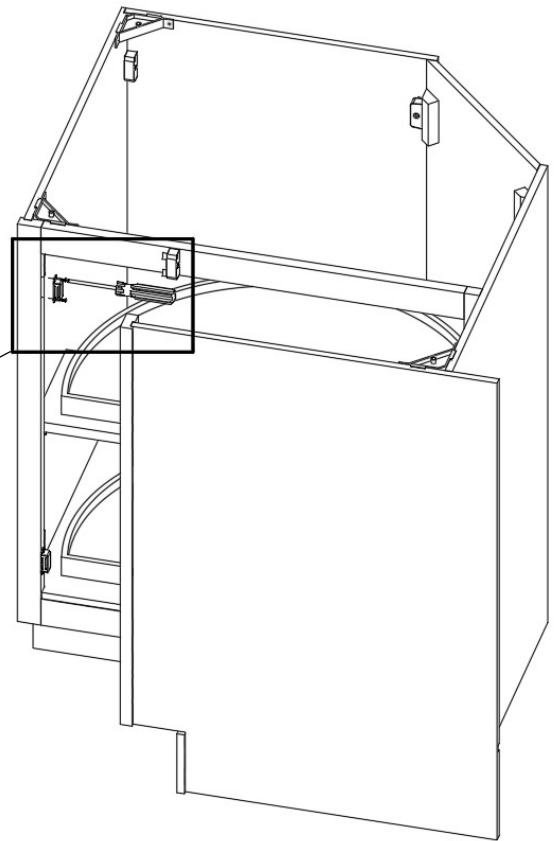
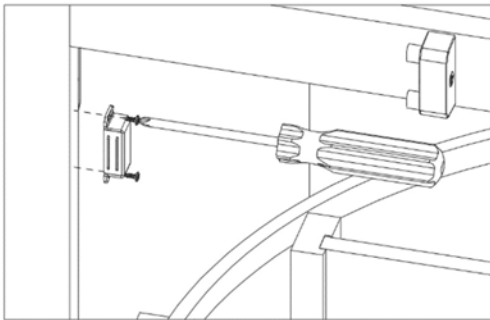


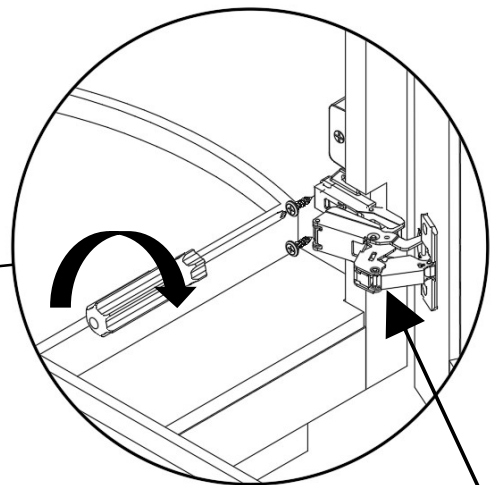
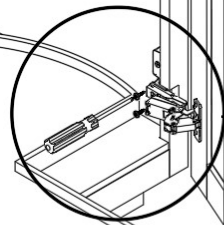
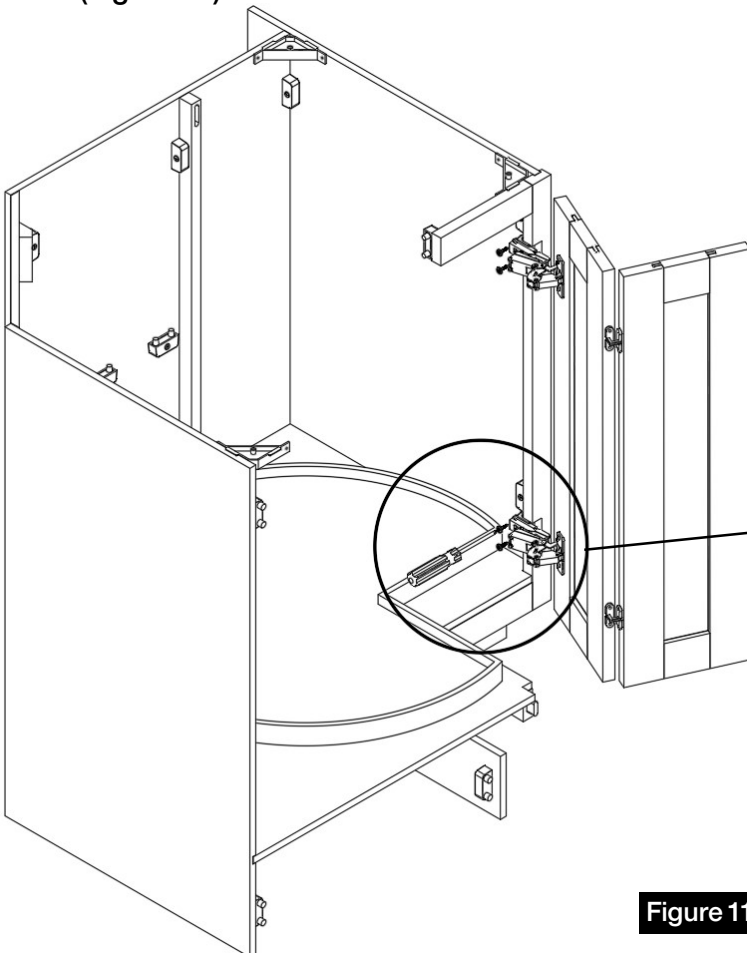
Figure 10

11

Attach the remainder of the hinges (O) using screws (d), and attach the doors by connecting the hinge pieces together. (Figure 11)



d X4



O

Figure 11

► Maintenance

For daily cleaning, use a dry cloth and a soft liquid cleaner.

Never use abrasive cleaners containing acetone, chlorine or strong bleach. Also, do not use tools as scrapers, metallic brushes, and other products which can scratch or tarnish surfaces.

Under no circumstances should you use chrome cleaner on chrome-plated or brass trim, hinges, handles, sockets etc.

Good ventilation is essential for maintaining the quality and look of this furniture.

Warranty and Customer Care Information

For the most up to date warranty information for your product, please visit our website - www.cabinetstogo.com to get the specific details. If you have any questions with warranties or to make a claim, please contact Customer Care by email - customercare@cabinetstogo.com or call 1-800-CABINET.