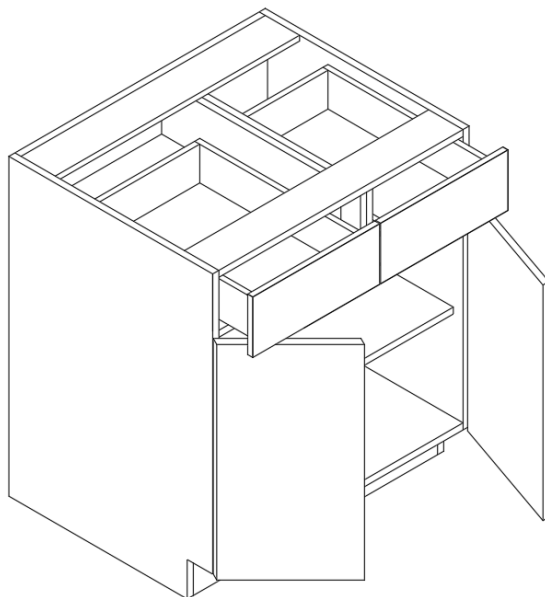


ASSEMBLY INSTRUCTIONS



These assembly instructions are only applicable for all Base Cabinets

ITEM No.:BC30 BC33 BC36



ATTENTION: For questions or concerns about your cabinets, assembly or installation, please contact our dedicated Customer Care Team at **1-800-CABINET (222-4638)**. Our Customer Care associates are here for you every step of the way.

► **General Instructions:**

Thank you for purchasing a Cabinets To Go product. You are now the proud owner of a high quality product designed to face the test of daily use and guaranteeing your enjoyment for many years to come.

Carefully read the instructions before starting the installation.

During assembly, please follow all generally accepted safety procedures.

Failure to adhere to the following instructions will invalidate the warranty and Cabinets To Go will decline any responsibility for any damages caused. Any installation which does not correspond to the instructions may result in defects, malfunctioning parts, significant damage and/or injury.

Before the assembly begins, check that all appropriate and required plumbing and electrical connections exist.

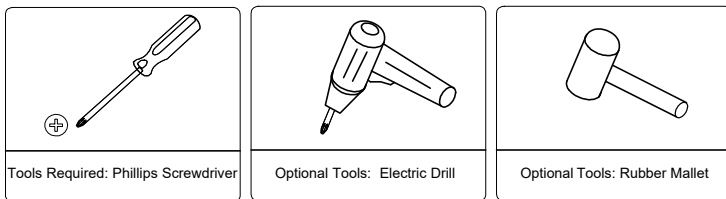
Before drilling, make absolutely sure that there are no pipes (gas, water, electricity, heating, etc.) at the drilling location. Cabinets To Go will not be held responsible for failure to follow these instructions.

PRIOR TO ASSEMBLY, PLEASE MAKE SURE YOU HAVE ONE FACE FRAME BOX AND ONE CARCASS BOX, WHICH HAVE ALL THE PARTS IN THE QUANTITIES MENTIONED BELOW. IF YOU ARE MISSING ANY PARTS, PLEASE STOP AND CONTACT CUSTOMER CARE IMMEDIATELY AT 1-800-CABINET.

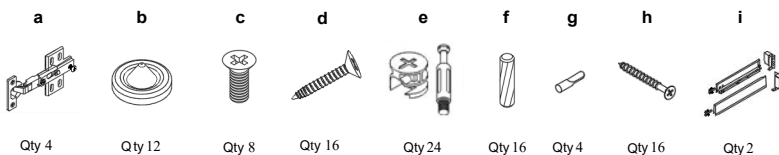
► **Items Quantity**

Item	Description	Qty
A	Door	2
B	Drawer Front	2
C	Side Panels (Left & Right)	2
D	Back Panel	1
E	Bottom Panel	1
F	Toe Kick	1
G	Braces	4
H	Center Braces	2
I	Drawer Box (Back Panel & Bottom Panel)	2 each
J	Shelf	1
Hardware Box	Hinges 4pcs, Bumpers 12pcs, 2/3" Flat Head Screws 8pcs, 2/3" Round Head Coarse Thread Screws 16pcs, Cam Locks Male & Female 24pcs, Wooden Dowels 16pcs, Shelf Pins 4pcs	
	Flat Head Screws 16pcs, European Drawer Box Kit 2pc	

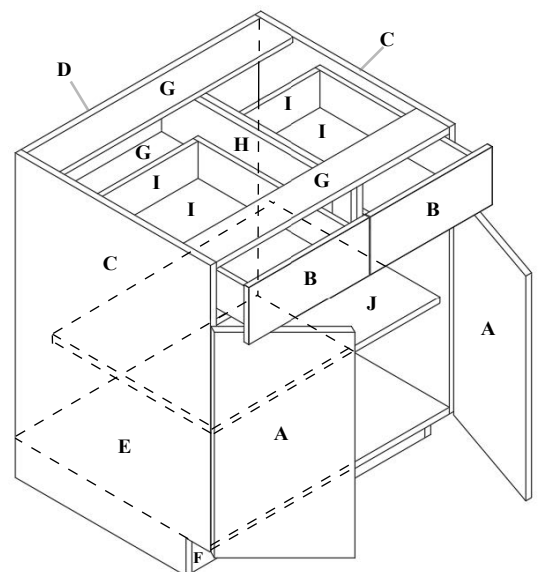
► **Required tools:**



► **Hardware Box:**

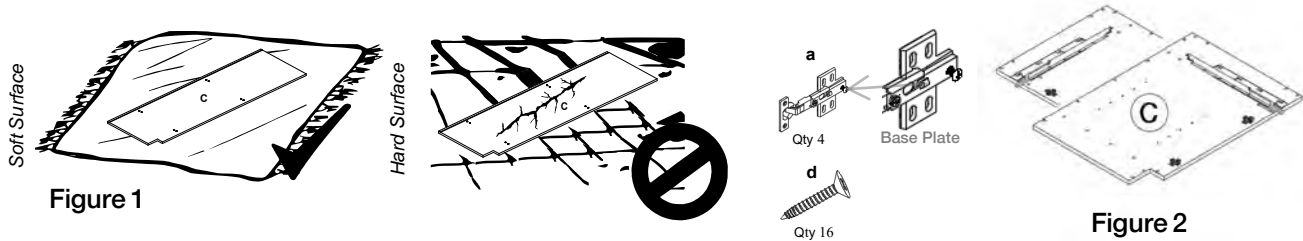


The materials listing above are for the largest unit in this instruction set. Smaller units may require less hardware and materials; therefore, your item may contain a smaller number of each.

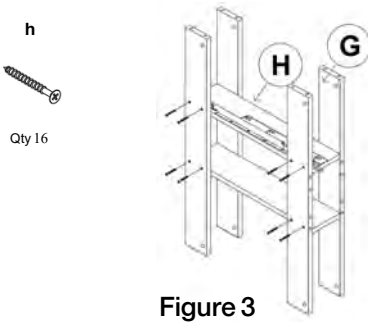


►Instructions:

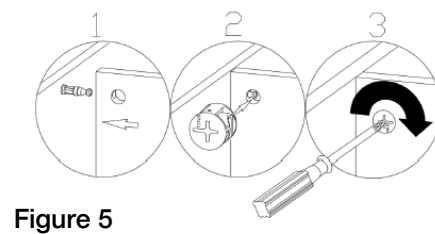
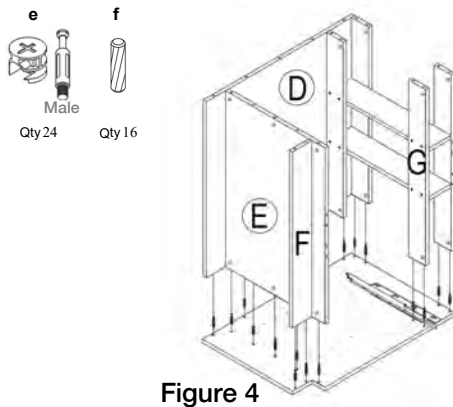
1. Unpack box/identify pieces on Page 2. Place side panels (C) onto a soft work surface. (Figure 1)
2. Install hinge base plates (a) and glides (i) onto side panels (C) using designated holes and screws provided. (Figure 2) *(Glides and screws found in the European Drawer Box Kit.)*



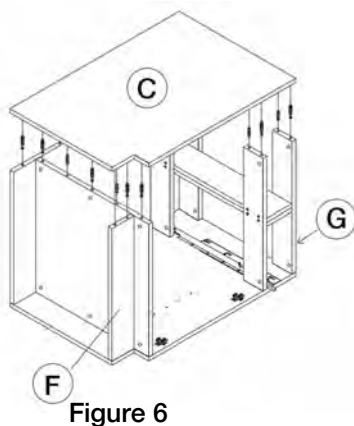
3. Install opposite glides onto the center braces (H). Then attach the 2 center braces (H) and 4 braces (G) together using screws (h). (Figure 3)



4. Install male cam locks (e) & wooden dowels (f) into designated holes on side panels (C). Use a screwdriver to tighten. (Figure 4)
5. Install bottom panel (E), back panel (D), toe kick (F), & braces (G) onto side panel. (Figure 4) Install locking lugs (e) into designated holes, and then lock them. (Figure 5)



6. Install the other side panel (C) using the same method from step 5. (Figure 6)



7. Install the drawer as the images below. (Figure 7)

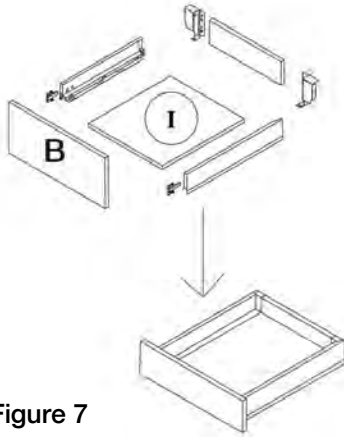


Figure 7

8. Install hinges (a) onto door (A) into designated hinge holes (Figure 8) using screws provided (c). Install doors onto cabinet sides by connecting the hinge to the pre-installed base plates from Step 2. Apply bumpers (b) onto the door and drawer face corners. Install the adjustable shelf (J) using shelf pins (g).

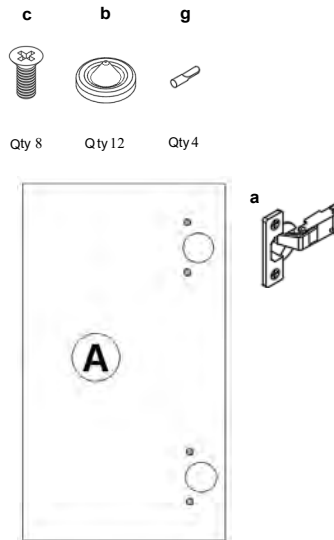
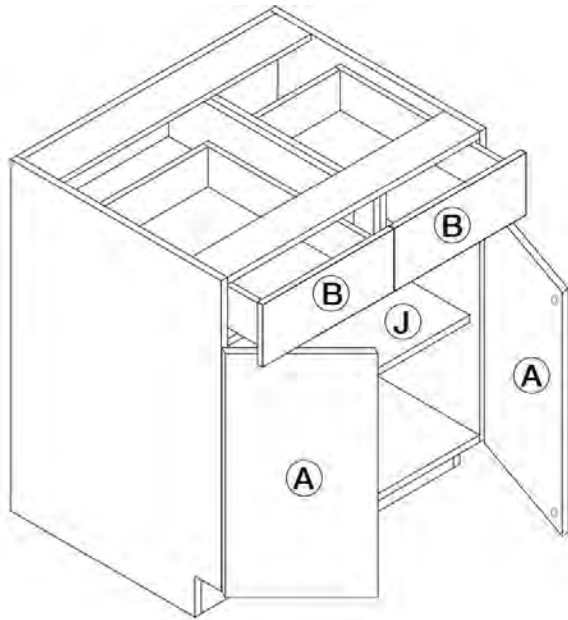


Figure 8

► Maintenance

For daily cleaning, use a dry cloth and a soft liquid cleaner.

Never use abrasive cleaners containing acetone, chlorine or strong bleach. Also, do not use tools as scrapers, metallic brushes, and other products which can scratch or tarnish surfaces.

Under no circumstances should you use chrome cleaner on chrome-plated or brass trim, hinges, handles, sockets etc.

Good ventilation is essential for maintaining the quality and look of this furniture.

Warranty and Customer Care Information

For the most up to date warranty information for your product, please visit our website - www.cabinetstogo.com to get the specific details. If you have any questions with warranties or to make a claim, please contact Customer Care by email - customer care@cabinetstogo.com or call 1-800-CABINET.