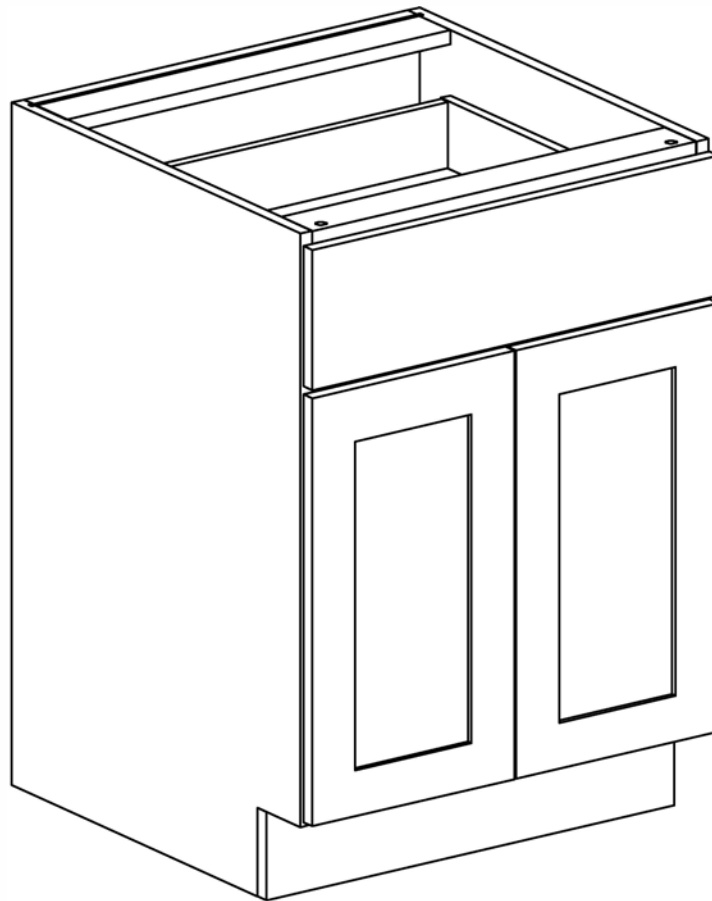


**BASE CABINETS (2 DOORS)**  
**ASSEMBLY INSTRUCTIONS**



These assembly instructions are only applicable For Base Cabinets with 2 doors.

**ITEM# BC24-BC27-BC30-BC33-BC36**



**ATTENTION:** For questions or concerns about your cabinets, assembly or installation, please contact our dedicated Customer Care Team at **1-800-CABINET (222-4638)**. Our Customer Care associates are here for you every step of the way.

► **General Instructions:**

Thank you for purchasing a Cabinets To Go product. You are now the proud owner of a high quality product designed to face the test of daily use and guaranteeing your enjoyment for many years to come.

Carefully read the instructions before starting the installation.

During assembly, please follow all generally accepted safety procedures.

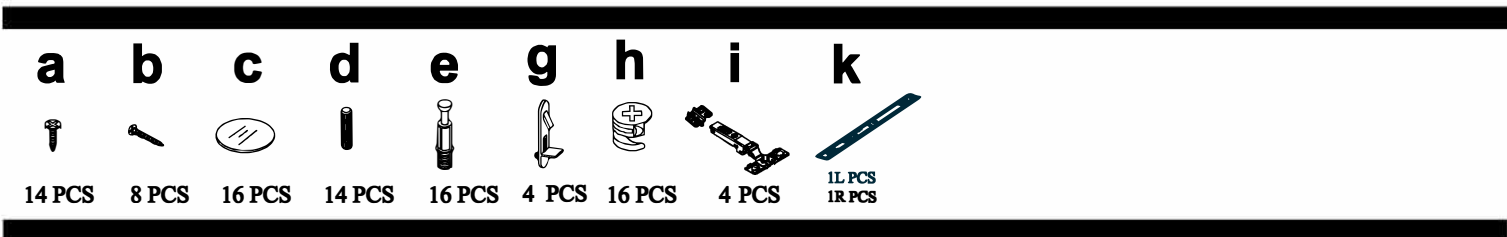
Failure to adhere to the following instructions will invalidate the warranty and Cabinets To Go will decline any responsibility for any damages caused. Any installation which does not correspond to the instructions may result in defects, malfunctioning parts, significant damage and/or injury.

Before the assembly begins, check that all appropriate and required plumbing and electrical connections exist.

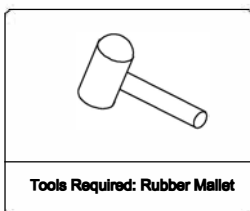
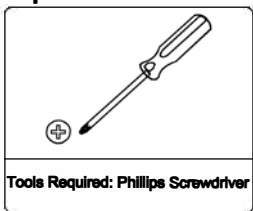
Before drilling, make absolutely sure that there are no pipes (gas, water, electricity, heating, etc.) at the drilling location. Cabinets To Go will not be held responsible for failure to follow these instructions.

PRIOR TO ASSEMBLY, PLEASE MAKE SURE YOU HAVE ONE FACE FRAME BOX AND ONE CARCASS BOX, WHICH HAVE ALL THE PARTS IN THE QUANTITIES MENTIONED BELOW. If you are missing any parts, please STOP and contact Customer Care immediately at 1-800-CABINET.

► **Hardware Bag**

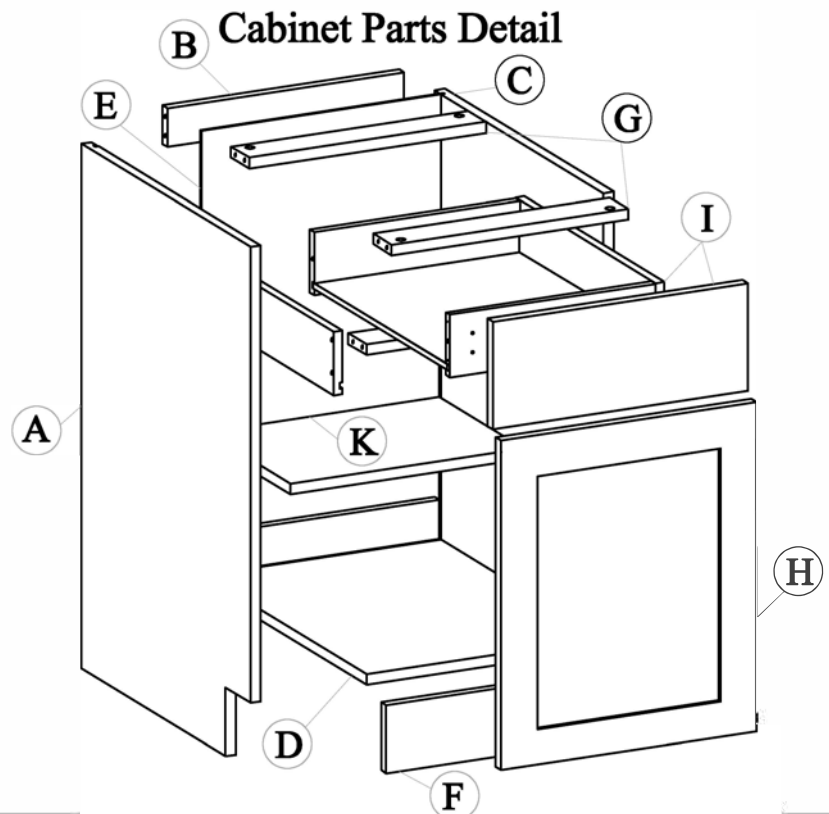


► **Required tools:**



► **Cabinet Parts List:**

NO.	ITEM	QTY
A	Right Side Panel	1
B	Back Braces	2
C	Left Side Panel	1
D	Bottom Panel	1
E	Back Panel	1
F	Toe Kick	1
G	Top Braces	3
H	Door	2
I	Drawers	1
K	Shelves	1




# Step 1

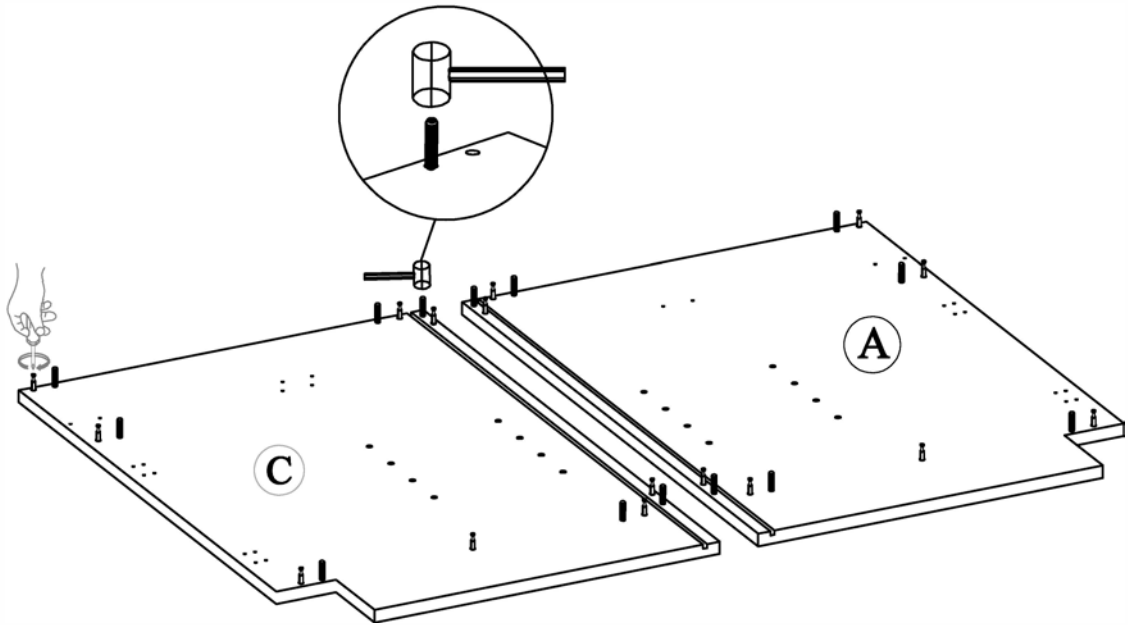
After unpacking, place the panels on a soft surface.  
Attach dowels and hardware to the Side panels.

- \* Right side panel (A)
- \* Left side panel (C)

**d** **e**



14 PCS 16 PCS



# Step 2

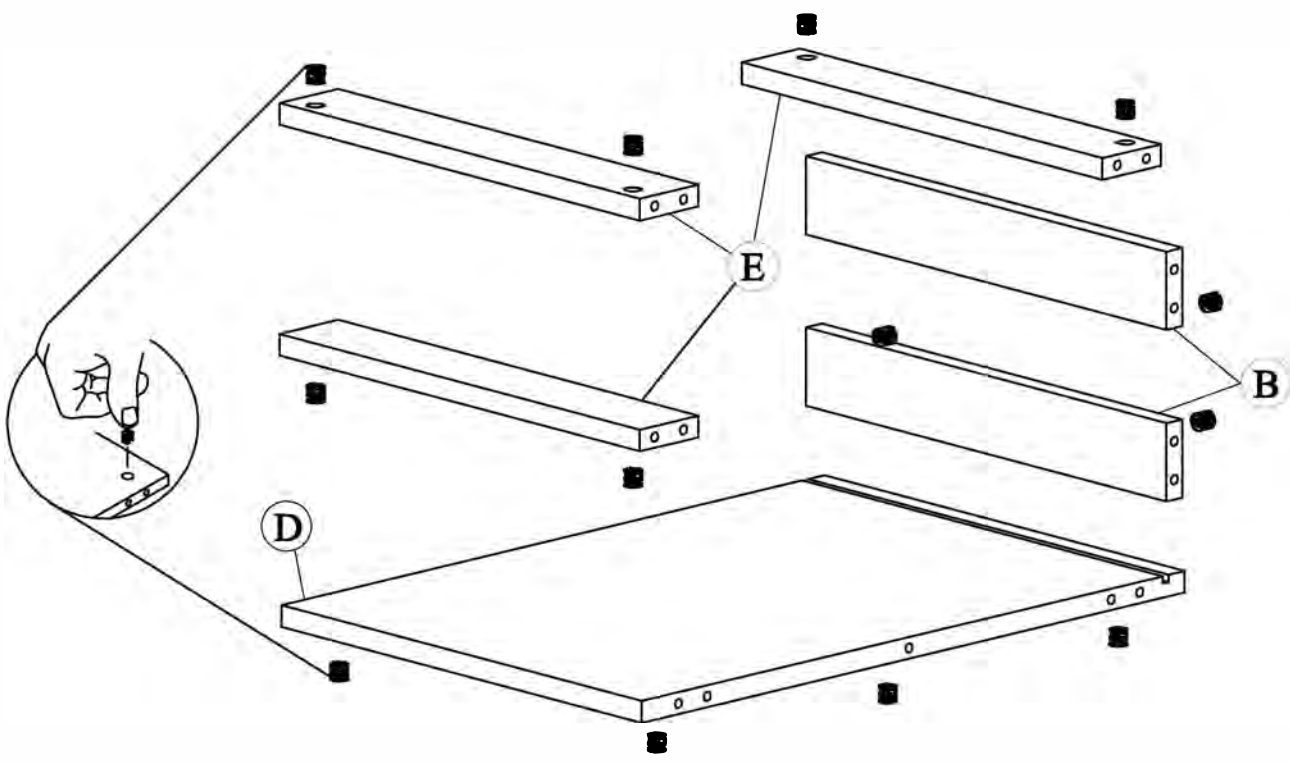
Insert all the cam locks into the braces and bottom panel, insuring they have the arrows pointing towards the hole.

- \* Back Panel (E)
- \* Bottom panel (D)
- \* Back Braces (B)

**h**



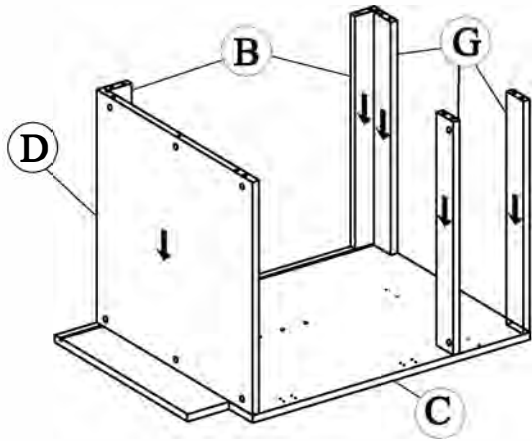
16 PCS



### Step 3

Insert the Right side panel, bottom panel and Top & Back Braces

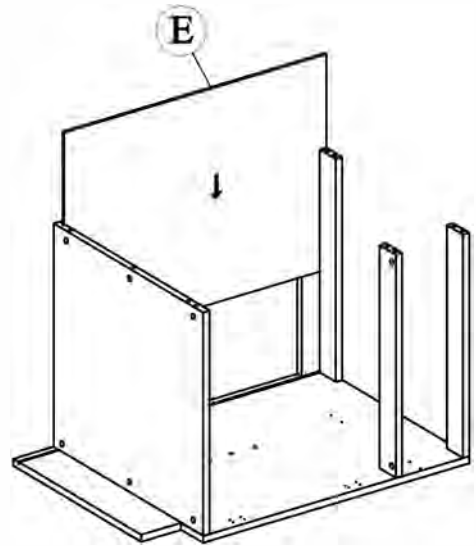
- \* Right side panel (C)
- \* Bottom panel (D)
- \* Top Braces (G)
- \* Back Braces (B)



### Step 4

Insert the back panel.

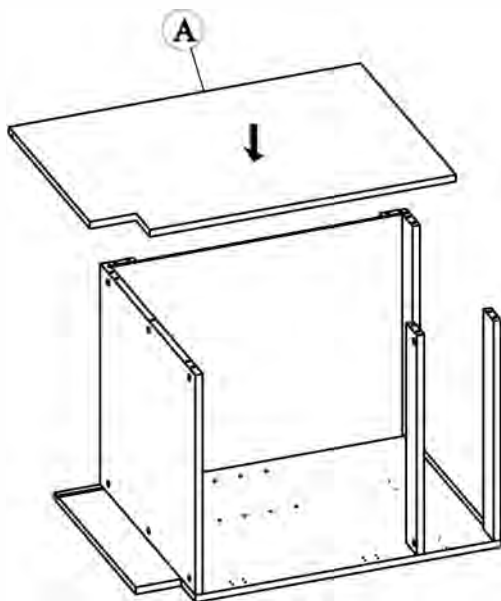
- \* Back panel (E)



### Step 5

Insert the next Left Side Panel

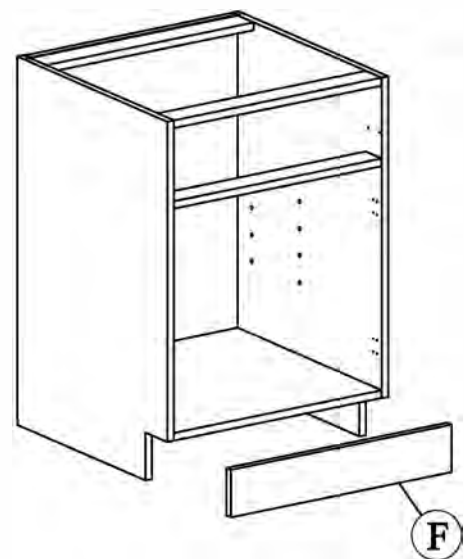
- \* Left side panel (E)



### Step 6

Insert the toe kick

- \* Toe kick (F)

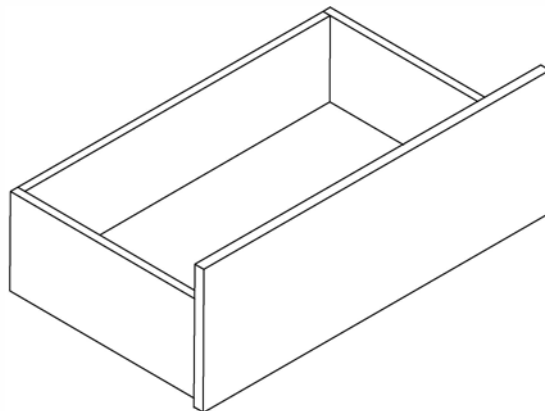
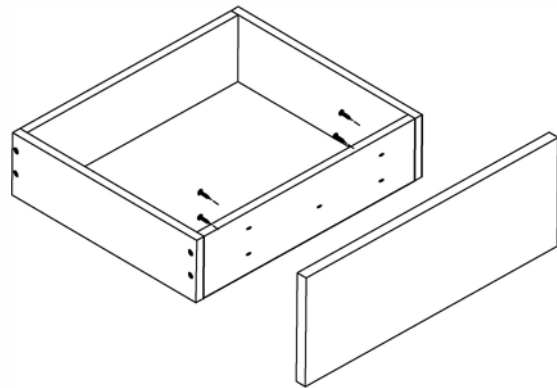
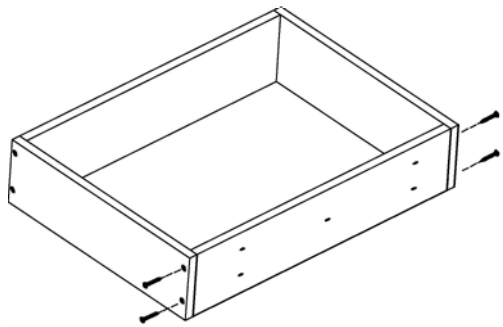
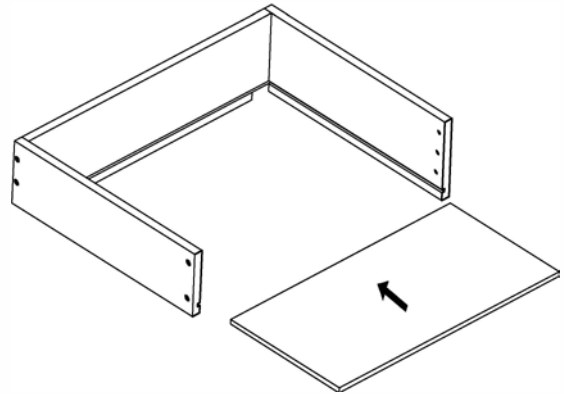
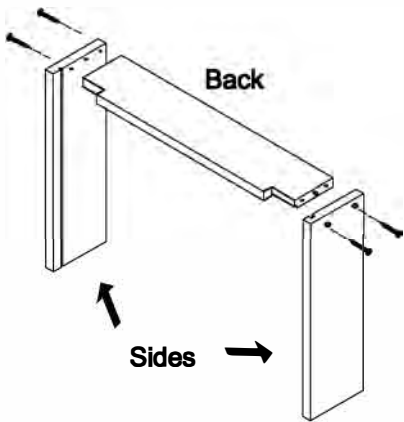


# Drawer Assembly Drawing

9



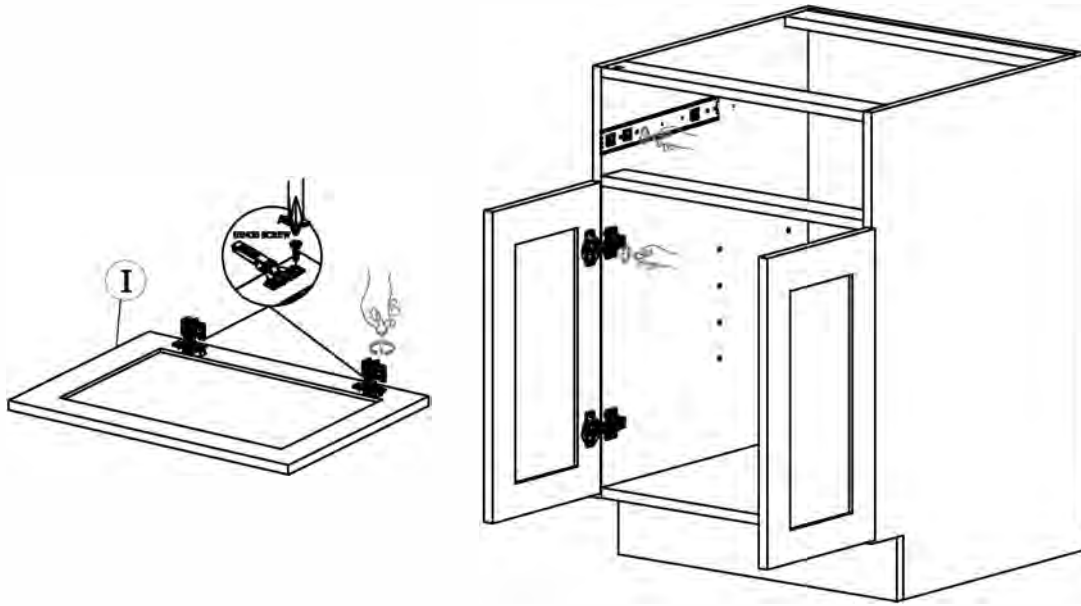
12 PCS



## Step 7

Attach hinges to doors and cabinets

\* Door (H)



## Step 8

Mount Shelf clip and Shelf

\* Shelves (K)

