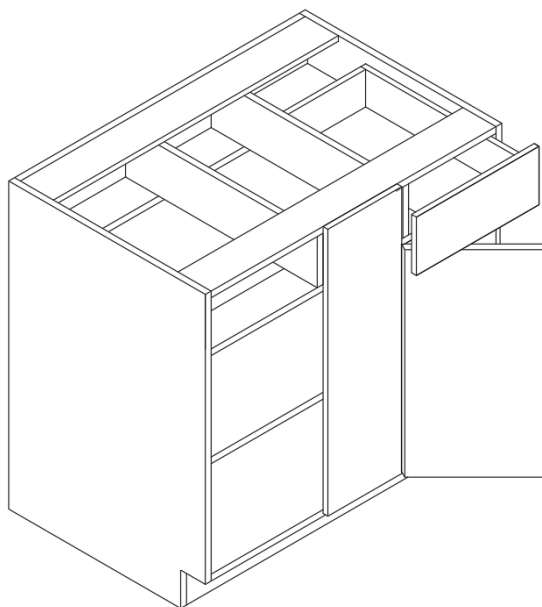


ASSEMBLY INSTRUCTIONS



These assembly instructions are only applicable for all Blind Base Corner Cabinets

ITEM No.:BBC42 BBC45



ATTENTION: For questions or concerns about your cabinets, assembly or installation, please contact our dedicated Customer Care Team at **1-800-CABINET (222-4638)**. Our Customer Care associates are here for you every step of the way.

► **General Instructions:**

Thank you for purchasing a Cabinets To Go product. You are now the proud owner of a high quality product designed to face the test of daily use and guaranteeing your enjoyment for many years to come.

Carefully read the instructions before starting the installation.

During assembly, please follow all generally accepted safety procedures.

Failure to adhere to the following instructions will invalidate the warranty and Cabinets To Go will decline any responsibility for any damages caused. Any installation which does not correspond to the instructions may result in defects, malfunctioning parts, significant damage and/or injury.

Before the assembly begins, check that all appropriate and required plumbing and electrical connections exist.

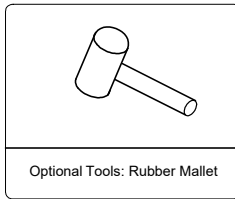
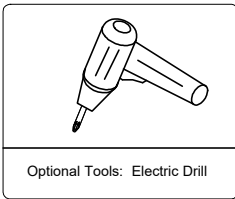
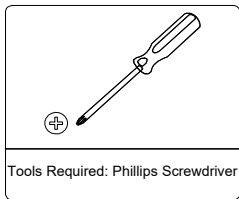
Before drilling, make absolutely sure that there are no pipes (gas, water, electricity, heating, etc.) at the drilling location. Cabinets To Go will not be held responsible for failure to follow these instructions.

PRIOR TO ASSEMBLY, PLEASE MAKE SURE YOU HAVE ONE FACE FRAME BOX AND ONE CARCASS BOX, WHICH HAVE ALL THE PARTS IN THE QUANTITIES MENTIONED BELOW. IF YOU ARE MISSING ANY PARTS, PLEASE STOP AND CONTACT CUSTOMER CARE IMMEDIATELY AT 1-800-CABINET.

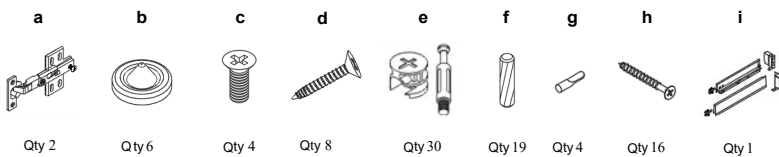
► **Items Quantity**

| Item | Description | Qty |
|---------------------|--|--------|
| A | Door | 1 |
| B | Drawer Front | 1 |
| C | Side Panels (Left & Right) | 2 |
| D | Back Panel | 1 |
| E | Bottom Panel | 1 |
| F | Toe Kick | 1 |
| G | Braces | 4 |
| H | Center Braces | 2 |
| I | Center Front Stile | 1 |
| J | Drawer Box (Back Panel & Bottom Panel) | 1 each |
| K | Shelf | 1 |
| Hardware Box | Hinges 2pcs, Bumpers 6pcs, 2/3" Flat Head Screws 4pcs, 2/3" Round Head Coarse Thread Screws 8pcs, Cam Locks Male & Female 30pcs, Wooden Dowels 19pcs, Shelf Pins 4pcs Flat Head Screws 16pcs, European Drawer Box Kit 1pc | |

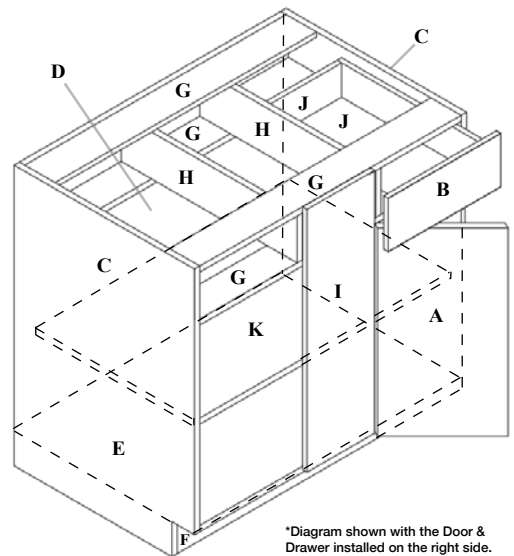
► **Required tools:**



► **Hardware Box:**



The materials listing above are for the largest unit in this instruction set. Smaller units may require less hardware and materials; therefore, your item may contain a smaller number of each.



*Diagram shown with the Door & Drawer installed on the right side.

► **Instructions:**

1. Unpack box/identify pieces on Page 2. Place side panels (B) and center front stile (I) onto a soft work surface. (Figure 1)

2. Install hinge base plates (a) onto center front stile (I), & 1 glide onto side panel (B) of your choice using designated holes and screws provided. (Figure 2) *(Glides and screws found in the European Drawer Box Kit.)*

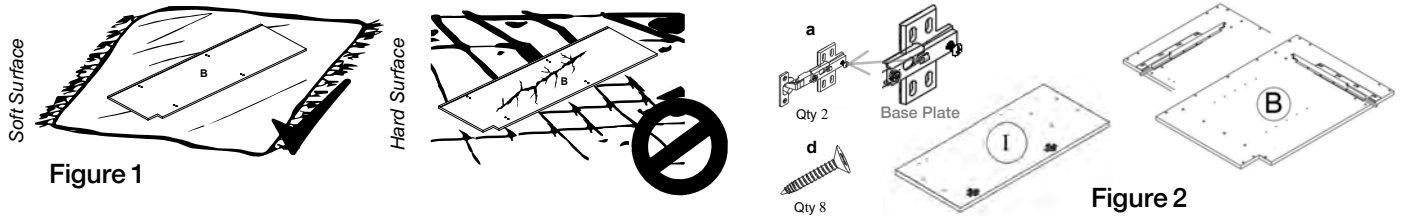


Figure 1

Figure 2

3. Install opposite glide onto the center brace (H) corresponding to the side panel you chose from step 2. Then attach the 2 center braces (H) and 4 braces (G) together using screws (h). (Figure 3)

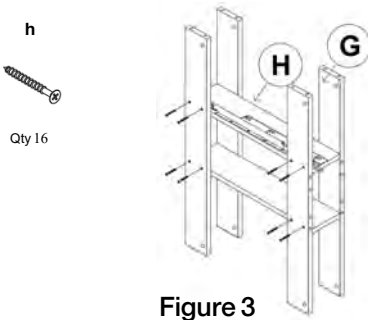


Figure 3

(With the assembled braces aligned as shown in Figure 3, the glide should be installed as shown for a left drawer/door BBC. Likewise, the glide should be installed on the opposite center brace for a right drawer/door BBC.)

4. Install male cam locks (e) & wooden dowels (f) into designated holes on side panels (C). Use a screwdriver to tighten. (Figure 4)

5. Install bottom panel (E), back panel (D), toe kick (F), & braces (G) onto side panel. (Figure 4) Install locking lugs (e) into designated holes, and then lock them. (Figure 5)

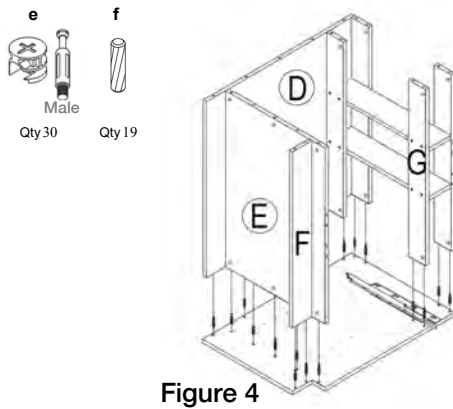


Figure 4

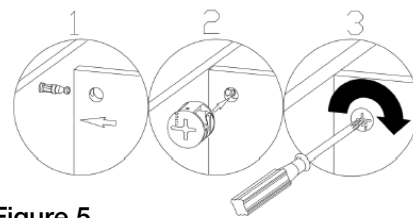


Figure 5

6. Install the center front stile (I) and the other side panel (C) using the same method from step 5. (Figure 6)

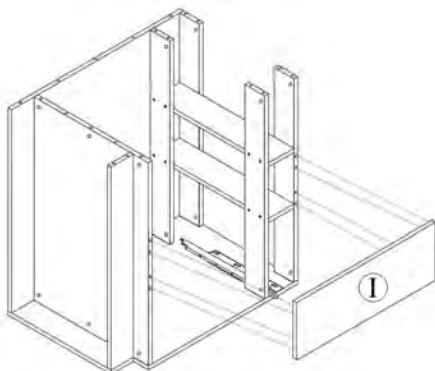


Figure 6

7. Install the drawer as the images below. (Figure 7)

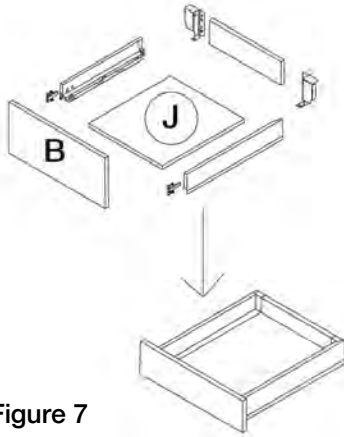


Figure 7

8. Install hinges (a) onto door (A) into designated hinge holes (Figure 8) using screws provided (c). Install door onto cabinet center stile by connecting the hinge to the pre-installed base plates. Apply bumpers (b) onto the door and drawer face corners. Install the adjustable shelf (K) using shelf pins (g).

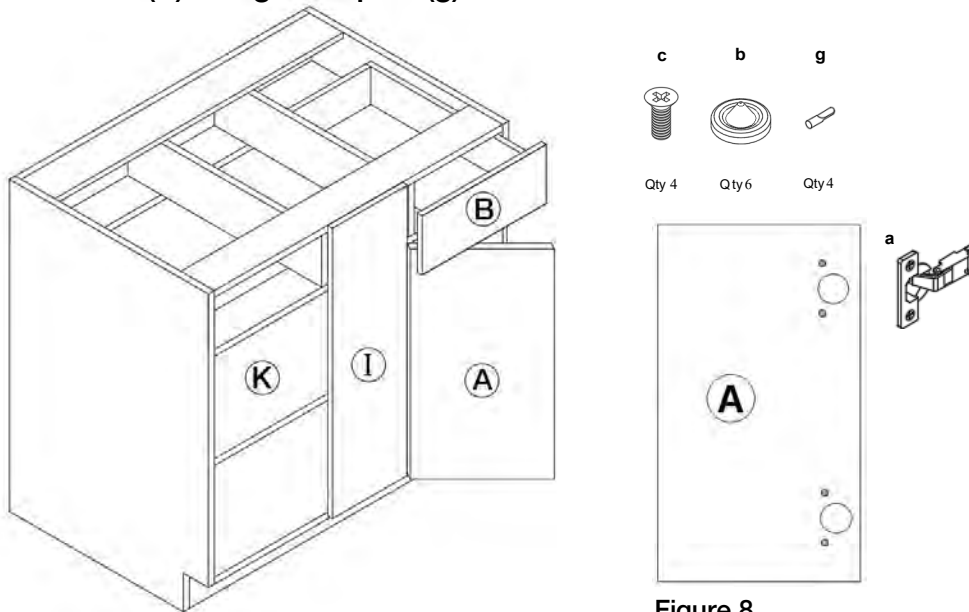


Figure 8

► Maintenance

For daily cleaning, use a dry cloth and a soft liquid cleaner.

Never use abrasive cleaners containing acetone, chlorine or strong bleach. Also, do not use tools as scrapers, metallic brushes, and other products which can scratch or tarnish surfaces.

Under no circumstances should you use chrome cleaner on chrome-plated or brass trim, hinges, handles, sockets etc.

Good ventilation is essential for maintaining the quality and look of this furniture.

Warranty and Customer Care Information

For the most up to date warranty information for your product, please visit our website - www.cabinetstogo.com to get the specific details. If you have any questions with warranties or to make a claim, please contact Customer Care by email - customer care@cabinetstogo.com or call 1-800-CABINET.