

**Blind Base Cabinet**  
**ASSEMBLY INSTRUCTIONS**



These assembly instructions are applicable for all Blind Base Cabinet ONLY.  
**ITEM #BBC36, BBC39, BBC42, BBC45**



**ATTENTION:** For questions or concerns about your cabinets, assembly or installation, please contact our dedicated Customer Care Team at **1-800-CABINET (222-4638)**. Our Customer Care associates are here for you every step of the way.

► **General Instructions:**

Thank you for choosing a Cabinets To Go product. You are now the proud owner of a high quality product designed to face the test of daily use and guaranteeing your enjoyment for many years to come.

Carefully read the instructions before starting the installation.

During assembly, please follow all generally accepted safety procedures.

Failure to adhere to the following instructions will invalidate the warranty and Cabinets To Go will decline any responsibility for any damages caused. Any installation which does not correspond to the instructions may result in defects, malfunctioning parts, significant damage and/or injury.

Before the assembly begins, check that all appropriate and required plumbing and electrical connections exist.

Before drilling, make absolutely sure that there are no pipes (gas, water, electricity, heating, etc.) at the drilling location. Cabinets To Go will not be held responsible for failure to follow these instructions.

PRIOR TO ASSEMBLY, PLEASE MAKE SURE YOU HAVE ONE FACE FRAME BOX AND ONE CARCASS BOX, WHICH HAVE ALL THE PARTS IN THE QUANTITIES MENTIONED BELOW. IF YOU ARE MISSING ANY PARTS, PLEASE STOP AND CONTACT CUSTOMER CARE IMMEDIATELY AT 1-800-CABINET.

► **Items Quantity**

Item	Description	Qty
<b>A</b>	Face Frame	<b>1</b>
<b>B</b>	Side Panels	<b>2</b>
<b>C</b>	Bottom Panel	<b>1</b>
<b>E</b>	Back Panel	<b>1</b>
<b>F</b>	Shelf	<b>1</b>
<b>G</b>	Toe Kick	<b>1</b>
<b>H</b>	Drawer Front	<b>1</b>
<b>I</b>	Drawer Box	<b>1</b>
<b>J</b>	Hardware Box:	<b>1</b>
	Plastic corner bracket(K) 4pcs, 1/2" round head screws 8pcs, Shelf clips 4 pcs,	
	1" screw 3pcs, hinge 2PCS with screws	
<b>L</b>	Drawer rail holder	<b>2</b>
<b>M</b>	Drawer Slide Rails(right & left)	<b>1</b>

► **Required tools:**

- Screwdriver

**► Instructions:**

**1.** Place the face frame (A) face down on a flat soft working surface to ensure that the face is not scratched or damaged (Figure 1).

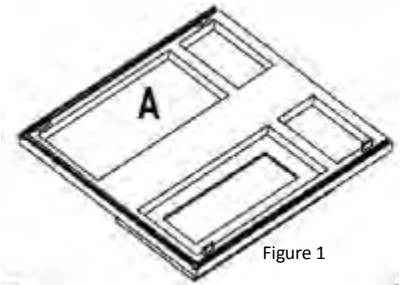


Figure 1

**2. Installing the Side Panels (Figure 2):** Insert right and left side panels (B) into the grooves of the face frame (A) and align the cam lock connectors (Figure 2). Lock the cam with a screwdriver by turning the screw 180° degrees clockwise (Figure 4).

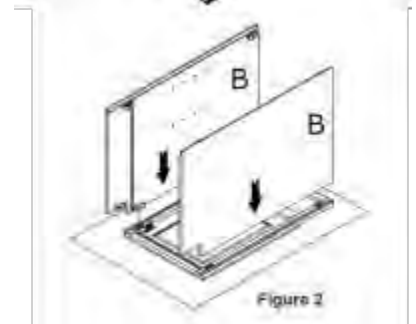


Figure 2

**3. Installing the Bottom (Figure 3):** Gently spread the side panels and insert the bottom (C) into the grooves of side panel (B) until it touches the face frame (A). Align it and lock each cam.

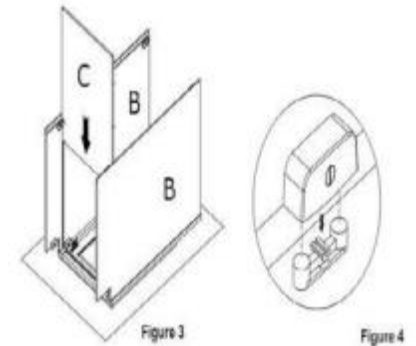


Figure 3

Figure 4

**4. Installing the Back Panel and Toe Kick (Figure 5):** Before you start this step, put the back panel (E) on a flat surface facing upward. Install the drawer rail holders (L) in the pre-spotted area on the back panel (Figure 6). The opening of the holders should be facing towards each other. Secure them with 2 round head screws (Figure 6). Then put the back panel (E) at rear of side panel (B) (Figure 5). Align and lock each cam lock. Install the Toe Kick (G) by locking the cam lock at both ends (Figure 5).

**5. Installing the Shelves:** Insert the shelf clips into the holes on the side panels at the desired height and slide in the shelves (F).

**6. Installing the Drawer Slide Rails (Figure 7):** Insert the drawer side rails back into the holder (L) previously installed (Step 4) on the back panel. Then secure the drawer rail front end with 1/2" screws using the pre-drilled holes in the face frame. (Repeat this step for more drawers).

**7. Drawer Assembly (Figure 8):** Firstly assemble the drawer front (H) with drawer box front by using screws. And then assemble the rest parts of drawer box (I) (Repeat this step for more drawers).

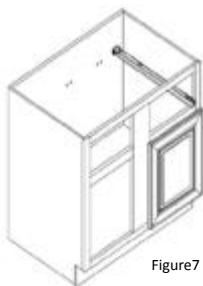


Figure 7

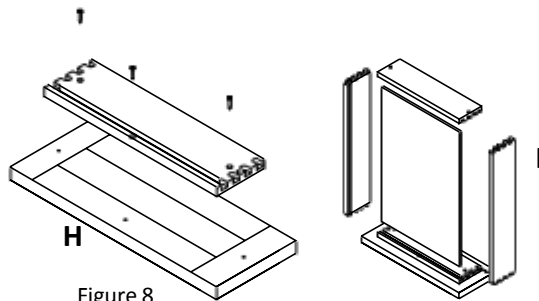


Figure 8

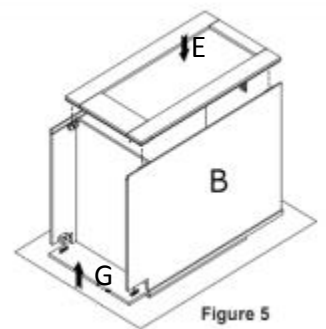


Figure 5

**8. Installing the Corner Braces (Figure 9) and inserting the Drawers:** Place the corner braces (K) on each top corner of the cabinet and secure them with the 1/2" Corner Brace Screws. Slide the drawers into the rail and check the drawer position and adjust slide rail location for best operation if necessary. The 2" screws are used for connecting corner braces and the countertop.

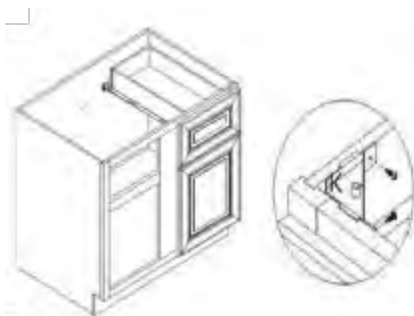


Figure 9

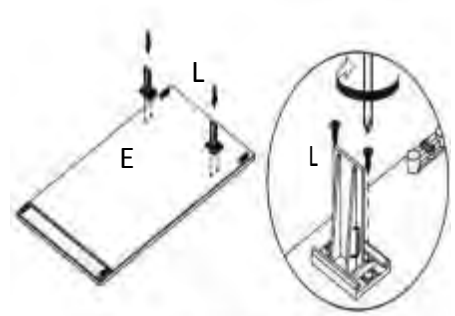


Figure 6

► **Maintenance**

For daily cleaning, use a dry cloth and a soft liquid cleaner.

Never use abrasive cleaners containing acetone, chlorine or strong bleach. Also, do not use tools as scrapers, metallic brushes, and other products which can scratch or tarnish surfaces.

Under no circumstances should you use chrome cleaner on chrome- plated or brass trim, hinges, handles, sockets etc.

Good ventilation is essential for maintaining the quality and look of this furniture.

► **Warranty and Customer Care Information**

For the most up to date warranty information for your product, please visit our website - [www.cabinetstogo.com](http://www.cabinetstogo.com) to get the specific details. If you have any questions with warranties or to make a claim, please contact Customer Care by email - [customercare@cabinetstogo.com](mailto:customercare@cabinetstogo.com) or call 1-800-CABINET.