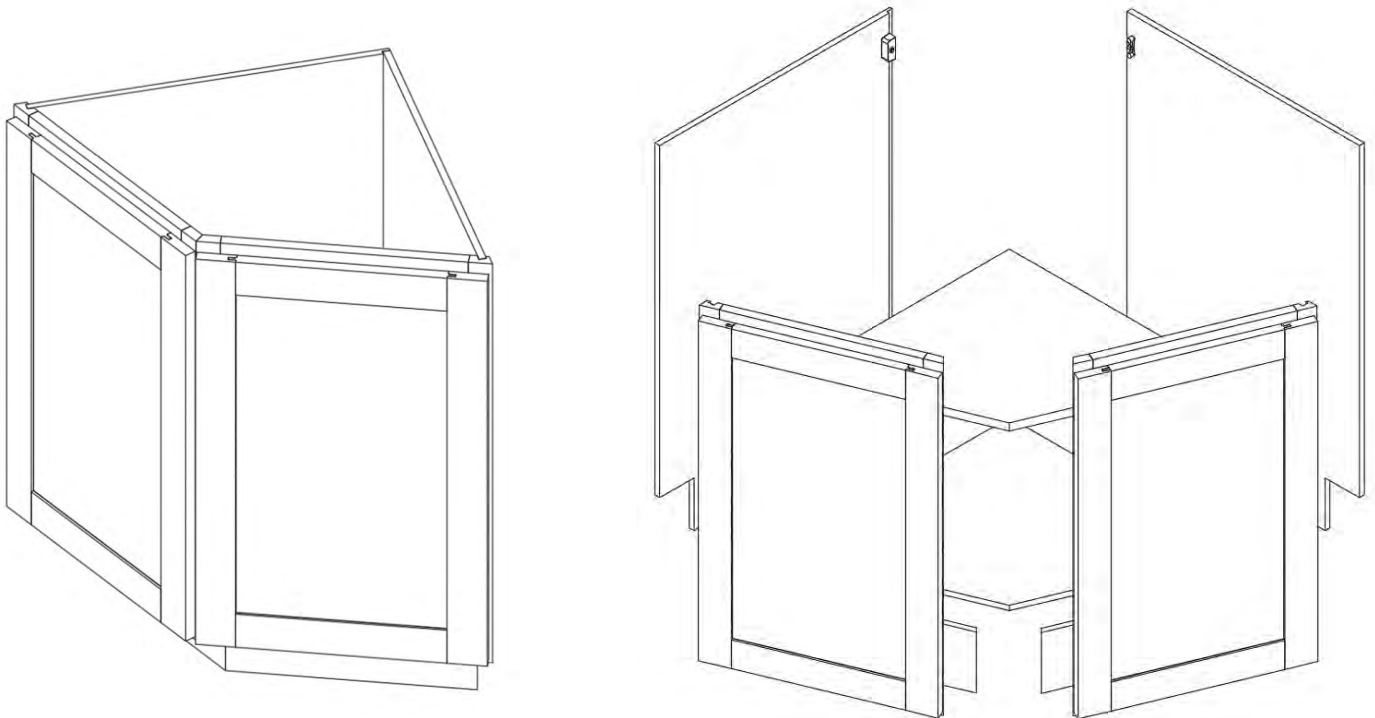


**CABINETS  
TO GO** WOW  
FOR  
LESS.




## ASSEMBLY INSTRUCTIONS



These assembly instructions are only applicable for all Angle Base Cabinets

**ITEM# AB124**



**ATTENTION:** For questions or concerns about your cabinets, assembly or installation, please contact our dedicated Customer Care Team at **1-800-CABINET (222-4638)**. Our Customer Care associates are here for you every step of the way.

**WOW  
SERVICE**

**► General Instructions:**

Thank you for purchasing a Cabinets To Go product. You are now the proud owner of a high quality product designed to face the test of daily use and guaranteeing your enjoyment for many years to come.

Carefully read the instructions before starting the installation.

During assembly, please follow all generally accepted safety procedures.

Failure to adhere to the following instructions will invalidate the warranty and Cabinets To Go will decline any responsibility for any damages caused. Any installation which does not correspond to the instructions may result in defects, malfunctioning parts, significant damage and/or injury.

Before the assembly begins, check that all appropriate and required plumbing and electrical connections exist.

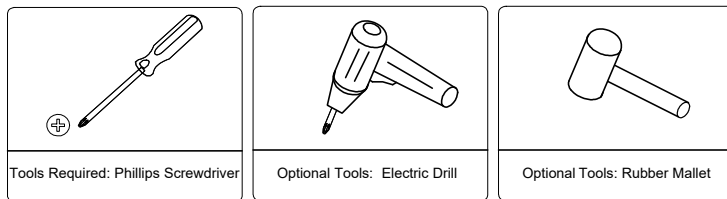
Before drilling, make absolutely sure that there are no pipes (gas, water, electricity, heating, etc.) at the drilling location. Cabinets To Go will not be held responsible for failure to follow these instructions.

PRIOR TO ASSEMBLY, PLEASE MAKE SURE YOU HAVE ONE FACE FRAME BOX AND ONE CARCASS BOX, WHICH HAVE ALL THE PARTS IN THE QUANTITIES MENTIONED BELOW. IF YOU ARE MISSING ANY PARTS, PLEASE STOP AND CONTACT CUSTOMER CARE IMMEDIATELY AT 1-800-CABINET.

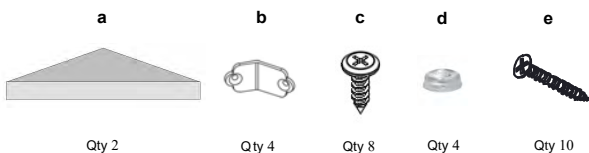
**► Items Quantity**

Item	Description	Qty
A	Left Face Frame & Door	1
B	Right Face Frame & Door	1
C	Bottom Panel	1
D	Left Back Panel	1
E	Right Back Panel	1
F	Toe Kicks (Left & Right)	2
G	Fixed Shelf	1
Hardware Box	Bumper 4pcs, 135deg brackets 4pcs, 1/2" Round Head Screws 8pcs, Triangle Block 2pc, Coarse Thread Screws 10pcs	

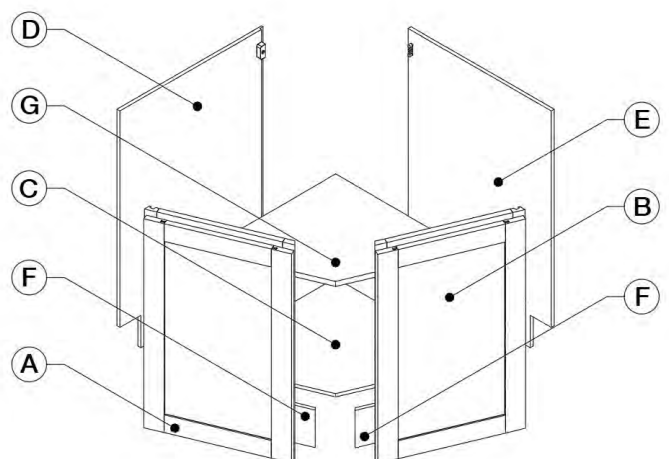
**► Required tools:**



**► Hardware Box:**



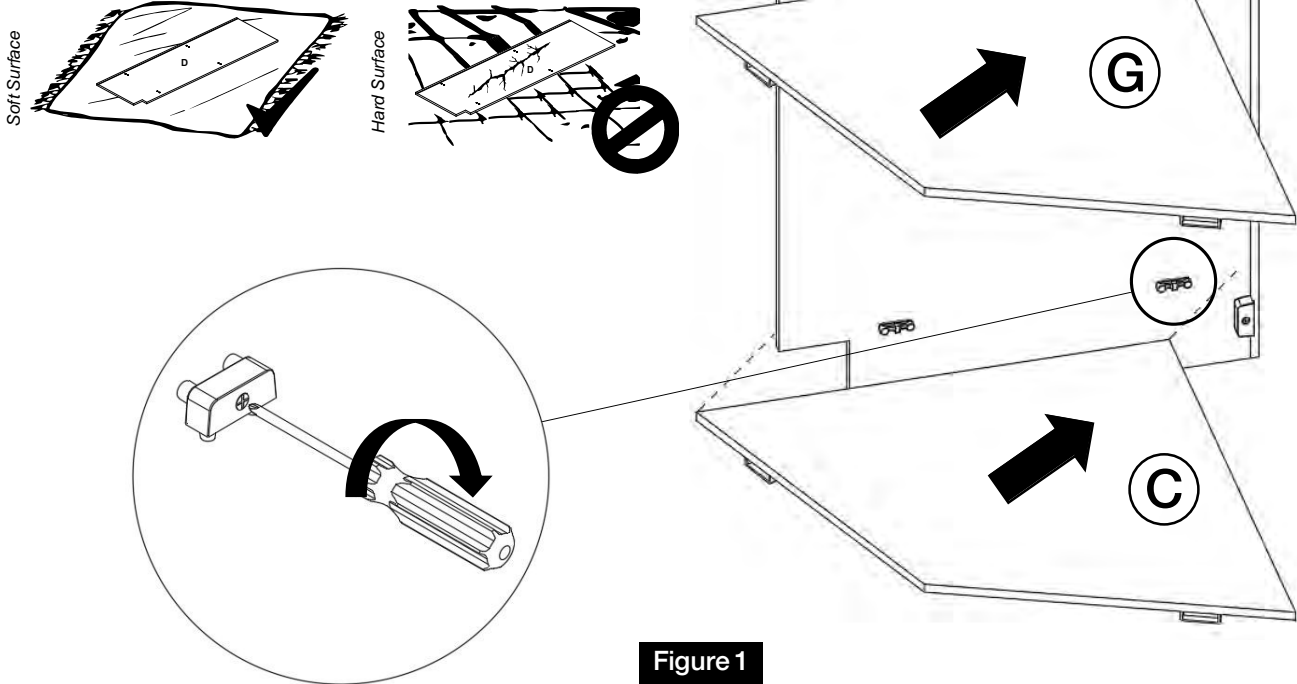
The materials listing above are for the largest unit in this instruction set. Smaller units may require less hardware and materials; therefore, your item may contain a smaller number of each.



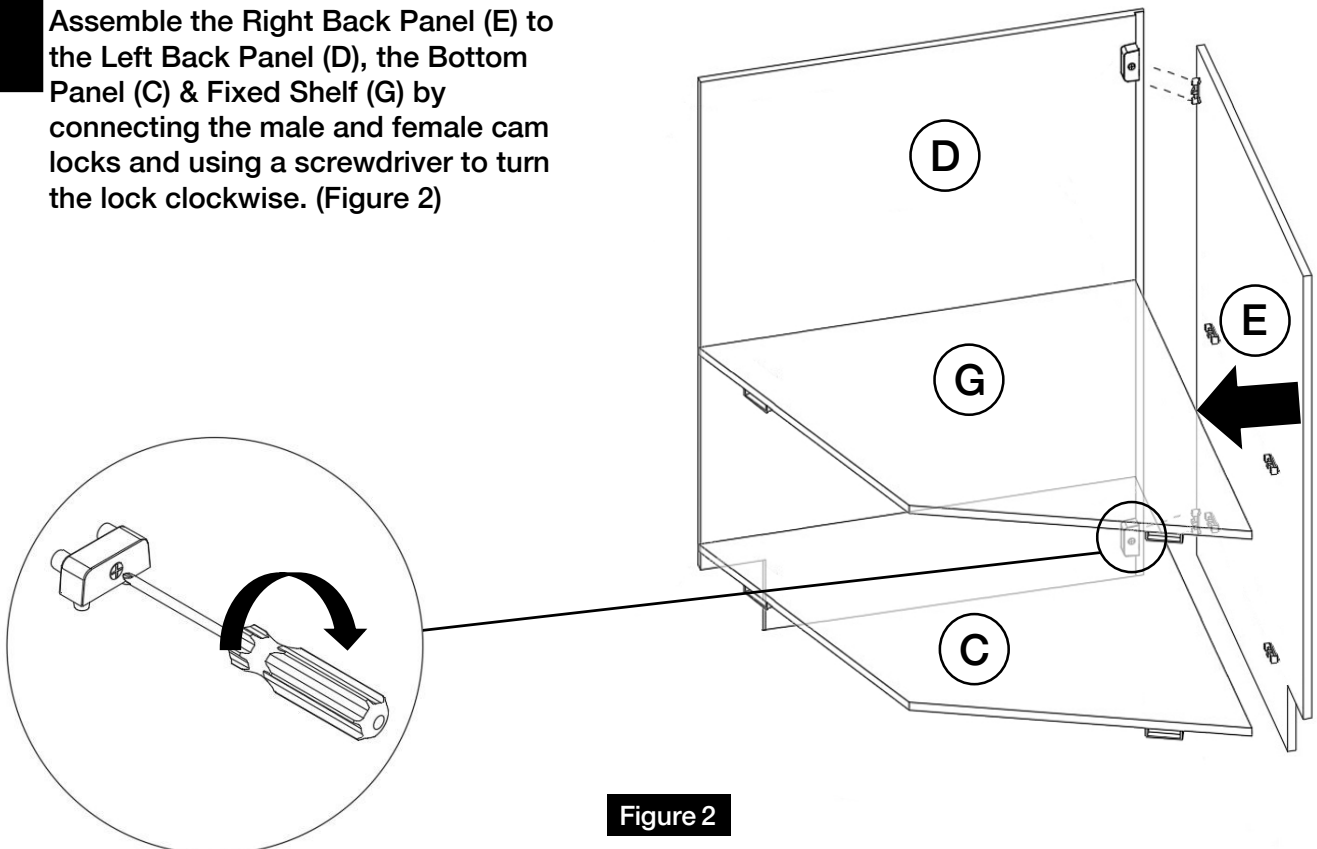
**► Instructions:**

- 1** Assemble the Bottom Panel (C) and Fixed Shelf (G) onto Left Back Panel (D) by connecting the male and female cam locks and using a screwdriver to turn the lock clockwise. (Figure 1)

{NOTE: It may be easier to lay Panel D on a flat smooth soft work surface to assemble.}

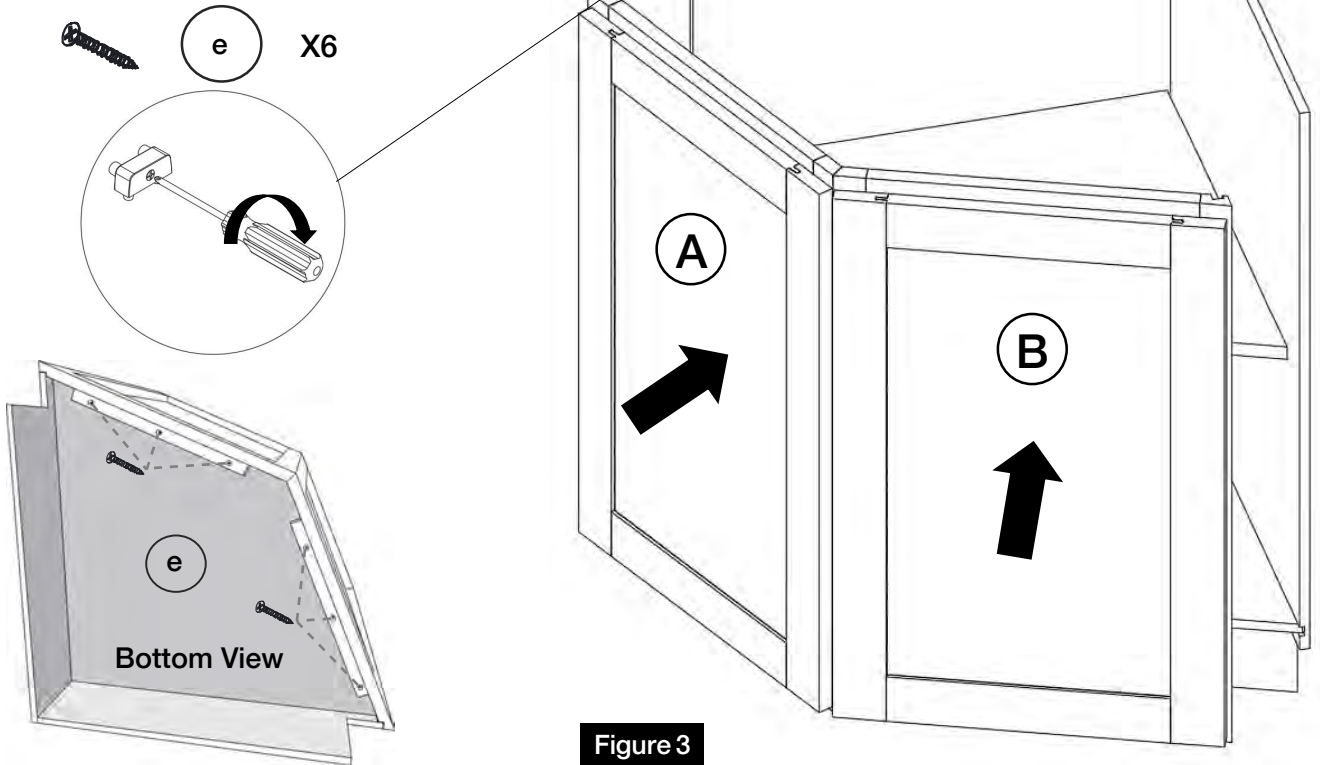


- 2** Assemble the Right Back Panel (E) to the Left Back Panel (D), the Bottom Panel (C) & Fixed Shelf (G) by connecting the male and female cam locks and using a screwdriver to turn the lock clockwise. (Figure 2)



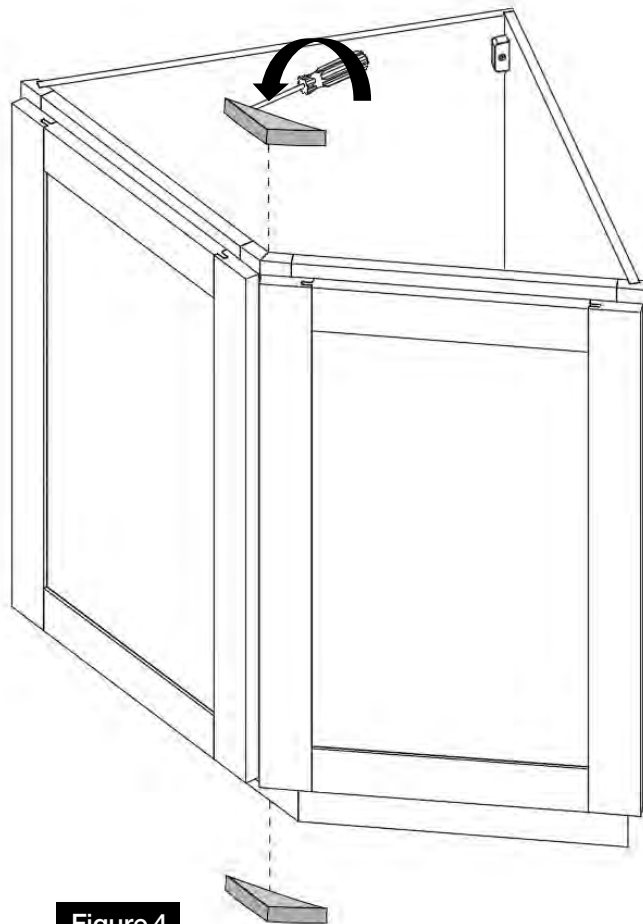
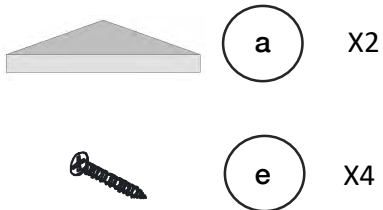
**3**

Install the Left Face Frame Door (A) and the Right Face Frame Door (B) onto the assembled panels with cam locks on top and screws (e) on the bottom. (Figure 3)



**4**

Assemble the Left Face Frame to the Right Face Frame using Wooden Blocks (a) and coarse thread screws (e) in the locations shown. (Figure 4)



**Figure 4**

5

Assemble the Left Toe Kick to the Right Toe Kick using 135 degree brackets (b) and 1/2" screws (c). (Figure 5)

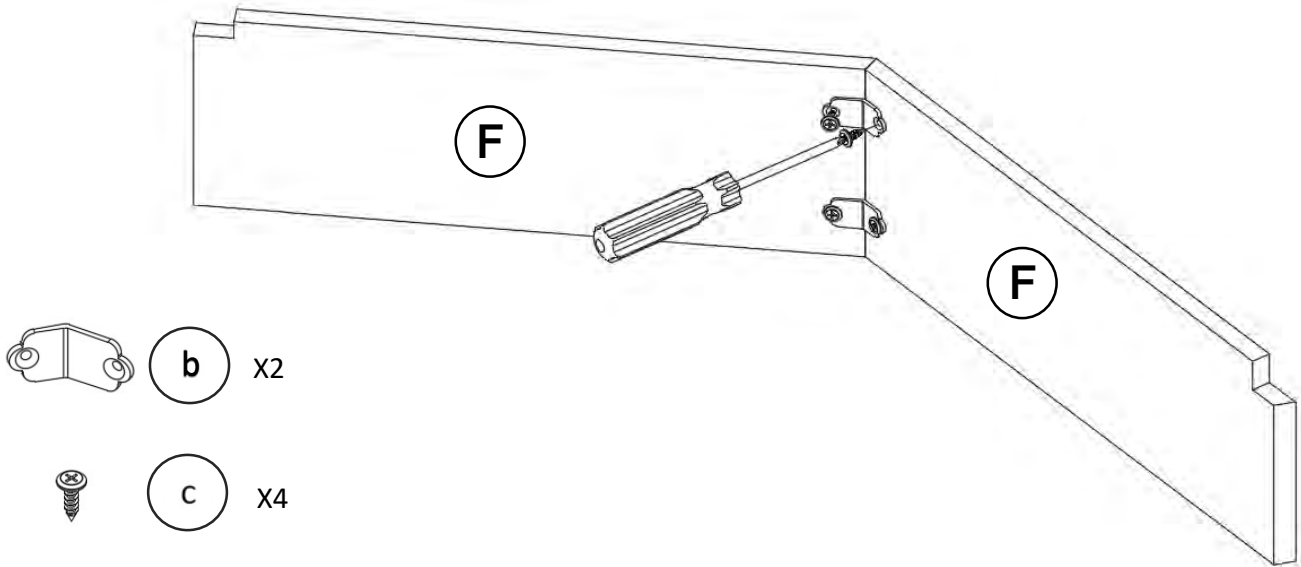


Figure 5

6

Install the Toe Kicks to the other assembled panels. (Figure 6)

{NOTE: This step is easier if you lay the cabinet on it's back so that you can reach the cam locks underneath.}

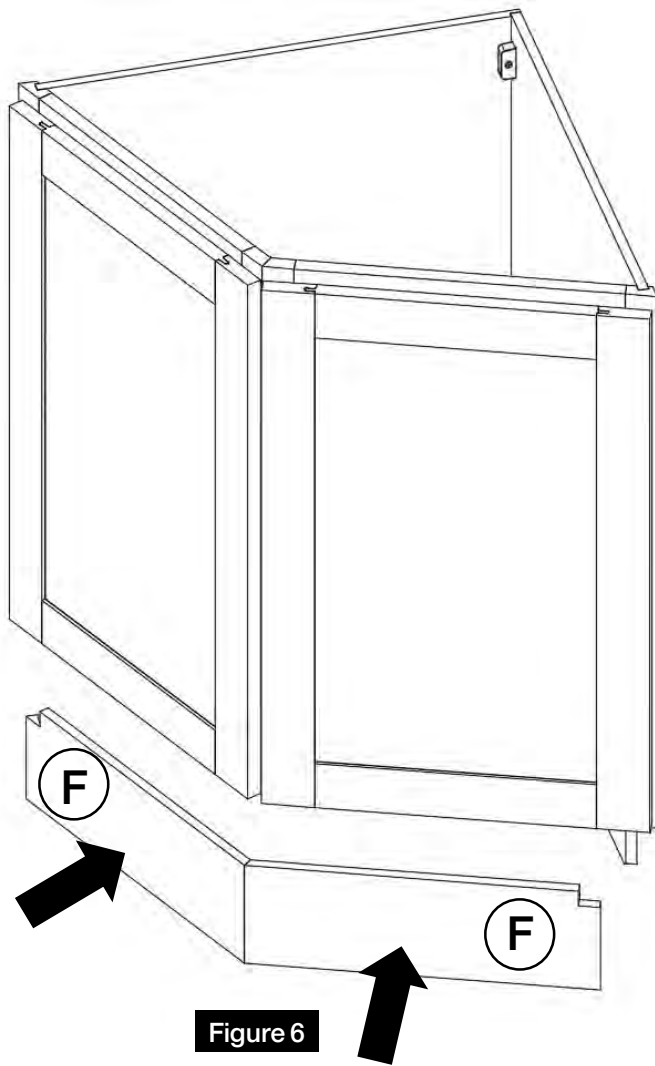
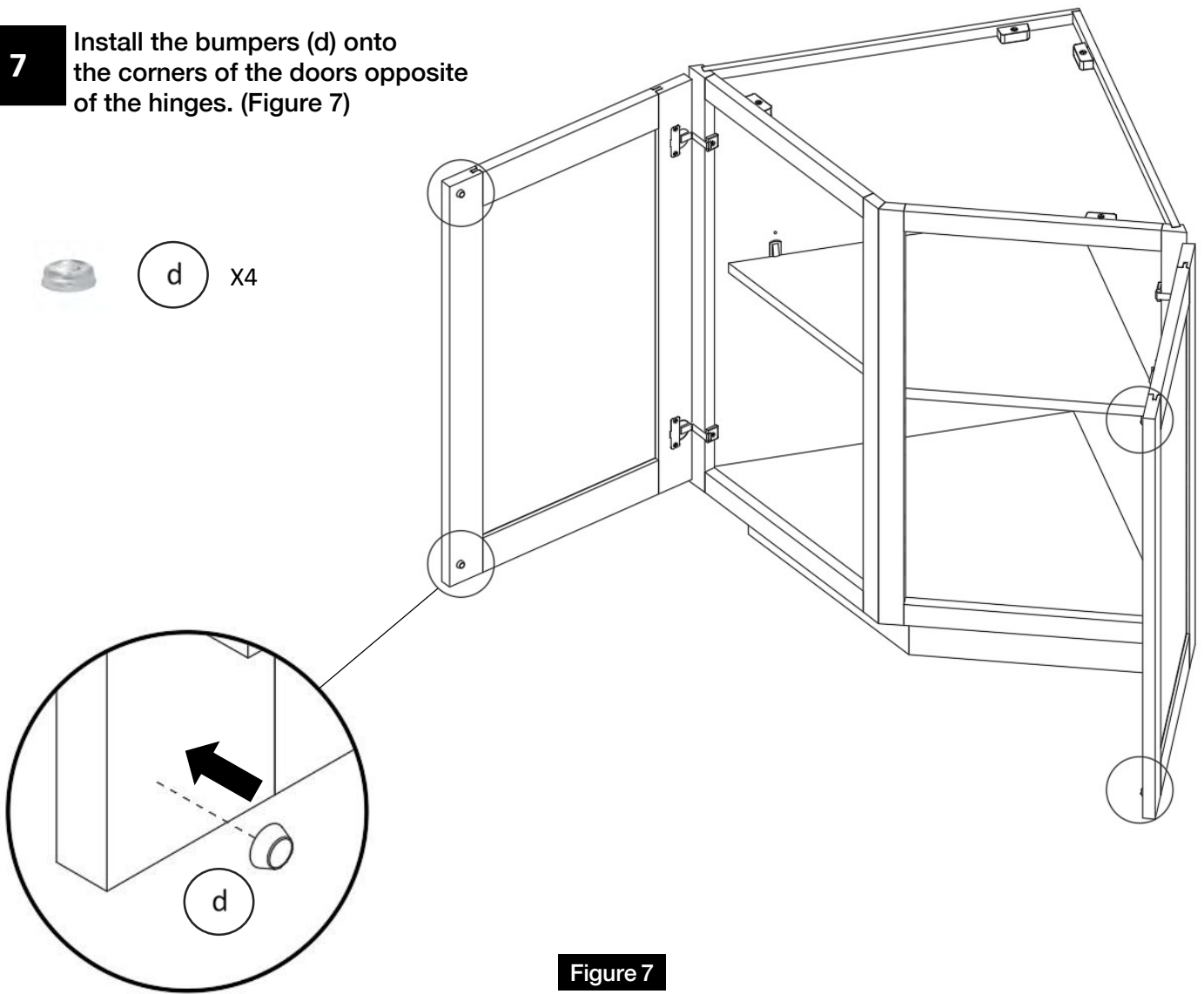


Figure 6

**7**

Install the bumpers (d) onto the corners of the doors opposite of the hinges. (Figure 7)



**Figure 7**

**► Maintenance**

For daily cleaning, use a dry cloth and a soft liquid cleaner.

Never use abrasive cleaners containing acetone, chlorine or strong bleach. Also, do not use tools as scrapers, metallic brushes, and other products which can scratch or tarnish surfaces.

Under no circumstances should you use chrome cleaner on chrome-plated or brass trim, hinges, handles, sockets etc.

Good ventilation is essential for maintaining the quality and look of this furniture.

**Warranty and Customer Care Information**

For the most up to date warranty information for your product, please visit our website - [www.cabinetstogo.com](http://www.cabinetstogo.com) to get the specific details. If you have any questions with warranties or to make a claim, please contact Customer Care by email - [customer care@cabinetstogo.com](mailto:customer care@cabinetstogo.com) or call 1-800-CABINET.