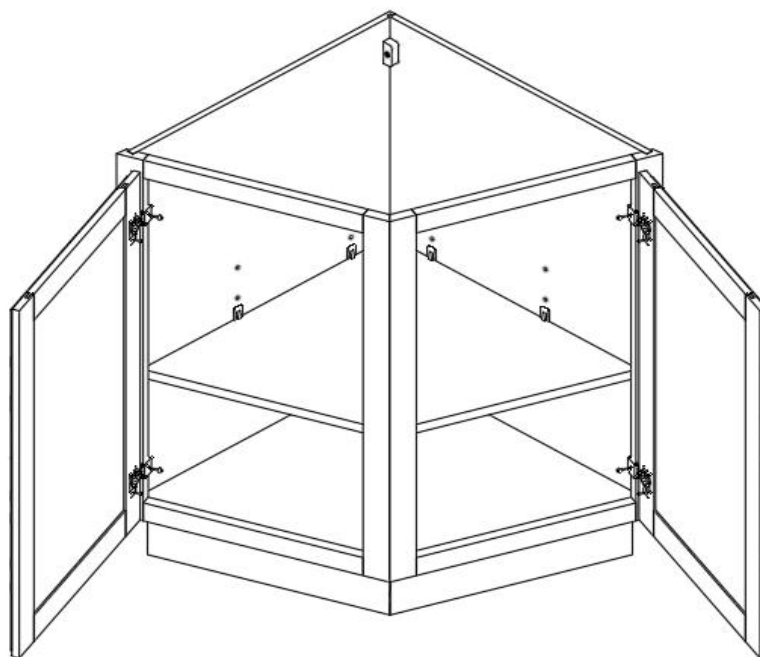


**CABINETS
TO GO** **WOW
FOR
LESS.**



BASE ANGLE 24
ASSEMBLY INSTRUCTIONS



These assembly instructions are applicable for all Lazy Susan Cabinet ONLY.

ITEM #: AB124



ATTENTION: For questions or concerns about your cabinets, assembly or installation, please contact our dedicated Customer Care Team at **1-800-CABINET (222-4638)**. Our Customer Care associates are here for you every step of the way.

► **General Instructions:**

Thank you for choosing a Cabinets To Go product. You are now the proud owner of a high quality product designed to face the test of daily use and guaranteeing your enjoyment for many years to come.

Carefully read the instructions before starting the installation.

During assembly, please follow all generally accepted safety procedures.

Failure to adhere to the following instructions will invalidate the warranty and Cabinets To Go will decline any responsibility for any damages caused. Any installation which does not correspond to the instructions may result in defects, malfunctioning parts, significant damage and/or injury.

Before the assembly begins, check that all appropriate and required plumbing and electrical connections exist.

Before drilling, make absolutely sure that there are no pipes (gas, water, electricity, heating, etc.) at the drilling location. Cabinets To Go will not be held responsible for failure to follow these instructions.

PRIOR TO ASSEMBLY, PLEASE MAKE SURE YOU HAVE ONE FACE FRAME BOX AND ONE CARCASS BOX, WHICH HAVE ALL THE PARTS IN THE QUANTITIES MENTIONED BELOW. IF YOU ARE MISSING ANY PARTS, PLEASE STOP AND CONTACT CUSTOMER CARE IMMEDIATELY AT 1-800-CABINET.

► **Items Quantity**

| Item | Description | Qty |
|------|---|-----|
| A | Face Frame | 2 |
| B | Side Panels | 2 |
| C | Bottom Panel | 1 |
| E | | |
| F | Shelf | |
| G | Toe Kick | 2 |
| H | | |
| I | | |
| J | HardwareBox: | 1 |
| | 1 1/4 Hinge 4pcs with screws, Plastic corner bracket(K) 1pcs, 1/2" round head screws 14 pcs, Shelf clips 6 pcs, 135 connection 3pcs | |
| K | Door | 2 |
| | | |
| | | |

► **RequiredTools:**

- Screwdriver
- Pencil
- Level

► Instructions:

1. **Installing the side panels (Figure1):** Lock the cam with a screwdriver by turning the screw 180° clock wise.

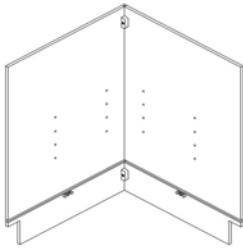


figure1

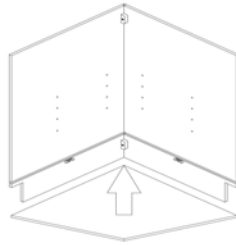
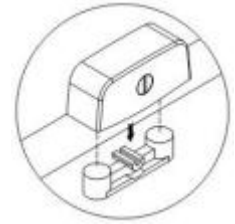


figure2



2. **Installing the bottom panel(Figure2):**Gently spread the side panels and insert the bottom (C) into the grooves of the side panels .Align it and lock each cam.

3. **Connect the Toe Kick with 135 connection(Figure 3).**Then fit the toe kick on the side panels (Figure4) .

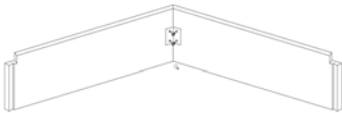


figure3

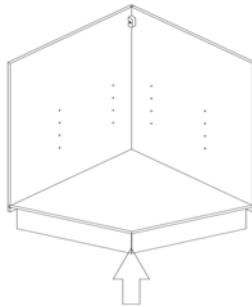


figure4

4. **Connect the frame with 135 connection(Figure 5).**Then fit the frame on the side panels (Figure6) .

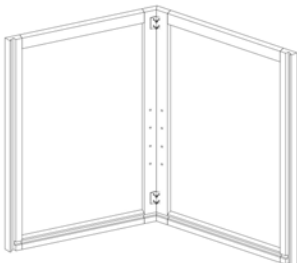


figure5

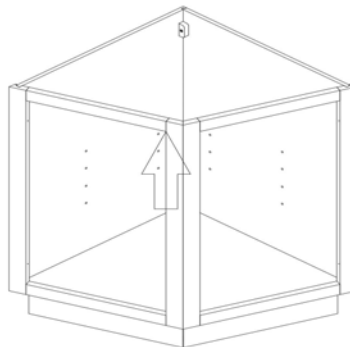


Figure 6

5. **Installing the shelf clip and put the shelf into the cabinet(Figure7).**

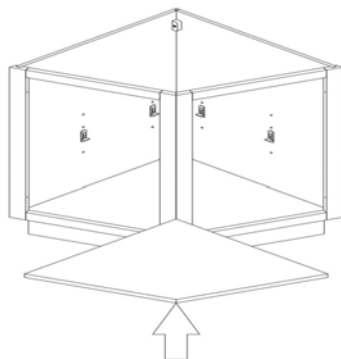


figure 7

6. Attach hinges and door panels to the face frame(Figure 8).

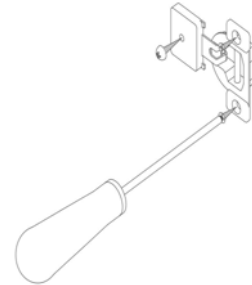
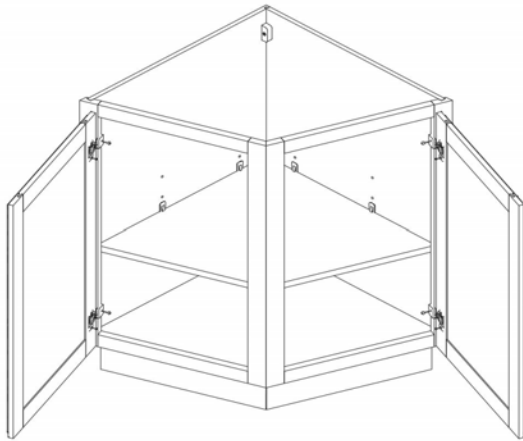


Figure 8

► **Maintenance**

For daily cleaning, use a dry cloth and a soft liquid cleaner.

Never use abrasive cleaners containing acetone, chlorine or strong bleach. Also, do not use tools as scrapers, metallic brushes, and other products which can scratch or tarnish surfaces.

Under no circumstances should you use chrome cleaner on chrome-plated or brass trim, hinges, handles, sockets etc. Good ventilation is essential for maintaining the quality and look of this furniture.

► **Warranty and Customer Care Information**

For the most up to date warranty information for your product, please visit our website - www.cabinetstogo.com to get the specific details. If you have any questions with warranties or to make a claim, please contact Customer Care by email - customer care@cabinetstogo.com or call 1-800-CABINET.