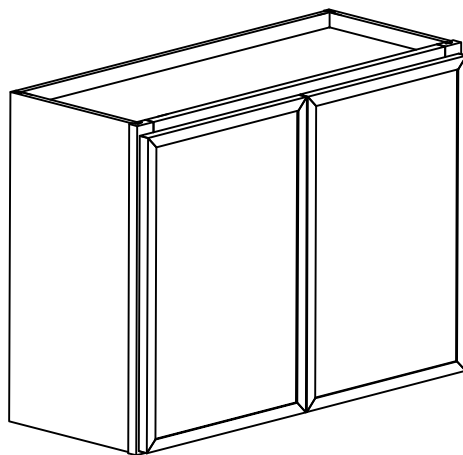


**CABINETS  
TO GO** WOW  
FOR  
LESS.

Findley  
& Myers  
FINE CABINETS MAKERS

## Wall Cabinet ASSEMBLY INSTRUCTIONS



These assembly instructions are only applicable for all Wall Cabinets with two shelf

WC2436 WC2736 WC3036 WC3336 WC3636



three  
spine

•Assembly is made fast and easy with  
Threespine® click furniture technology.  
•Patent Protected.  
[www.valinge.se/patents](http://www.valinge.se/patents)  
•Produced under license  
from Valinge Innovation.



► **General Instructions:**

Thank you for purchasing a Cabinets To Go product. You are now the proud owner of a high quality product designed to face the test of daily use and guaranteeing your enjoyment for many years to come.

Carefully read the instructions before starting the installation.

During assembly, please follow all generally accepted safety procedures.

Failure to adhere to the following instructions will invalidate the warranty and Cabinets To Go will decline any responsibility

Before the assembly begins, check that all appropriate and required plumbing and electrical connections exist.

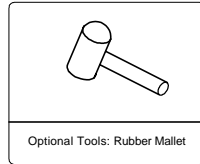
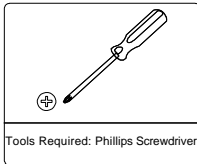
Before drilling, make absolutely sure that there are no pipes (gas, water, electricity, heating, etc.) at the drilling location. Cabinets To Go will not be held responsible for failure to follow the instructions.

PRIOR TO ASSEMBLY, PLEASE MAKE SURE YOU HAVE ONE FACE FRAME BOX AND ONE CARCASS BOX, WHICH HAVE ALL THE PART IN THE QUANTITIES MENTIONED BELOW. IF YOU ARE MISSING ANY PARTS, PLEASE STOP AND CONTACT CUSTOMER CARE IMMEDIATELY AT 1-800-CABINET.

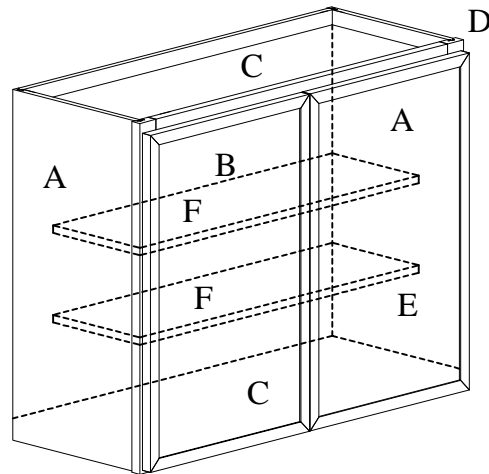
► **Items Quantity**

| Item. | Description        | Q'ty |
|-------|--------------------|------|
| A     | SIDE PANEL         | 2    |
| B     | BACK PANEL         | 1    |
| C     | TOP - BOTTOM PANEL | 2    |
| D     | FRAME              | 1    |
| E     | DOOR               | 2    |
| F     | SHELF              | 2    |

► **Required tools:**



| Hardware Box |                       |      |         |
|--------------|-----------------------|------|---------|
| No.          | Description           | Q'ty | Picture |
| a            | HINGE OVERLAY: 1-1/4" | 6    |         |
| b            | 7/15" FLAT HEAD SCREW | 12   |         |
| c            | 4/5" FLAT HEAD SCREW  | 6    |         |
| d            | PLASTIC SHELF SUPPORT | 8    |         |
| e            | GLATIC ANCHORS        | 4    |         |
| f            | SCREW 2"              | 4    |         |



The material above are for the largest unit in this instruction set. Smaller units may require less hardware and material: Therefor, your item may contain a smaller number of each.



•Assembly is made fast and easy with ThreeSpine® click furniture technology.  
 •Patent Protected.  
[www.valinge.se/patents](http://www.valinge.se/patents)  
 •Produced under license from Valinge Innovation.



► Instructions:

1. Place the side panel (A) face down on a flat soft working surface to ensure that the face is not scratched or damaged. (Figure 1).

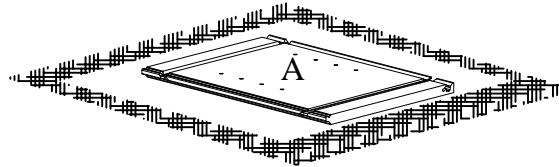


Figure 1

2. Install the Back Panel: Insert the back panel (B) into the groove of the side panel (A) and click it into place. (Figure 2)

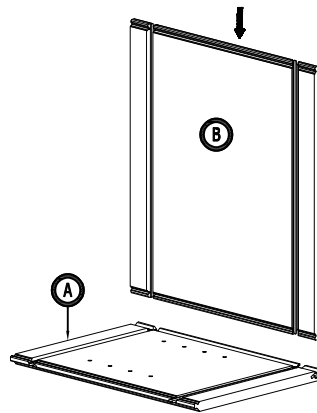


Figure 2

3. Installing the Top and Bottom: Insert top and bottom (C) into grooves of back panel (B) & side panel (A). Press down until they click into place. (Figure 3)

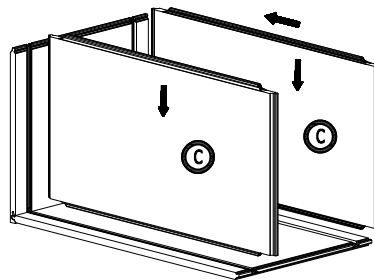


Figure 3

4. Installing the Remaining Panels: Insert the side panel (A) into the groove of the back panel (B) locking it into the top and bottom panels (C).

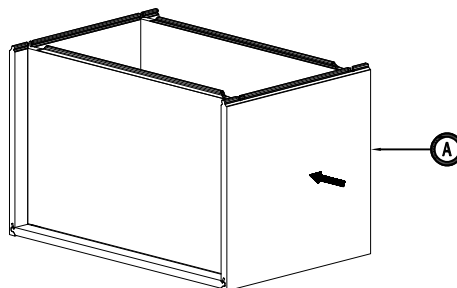


Figure 4



5. Installing the Frame: Insert frame (D) into grooves of side panel (A) & top, bottom panel (C). Press down until they click into place. (Figure 5)

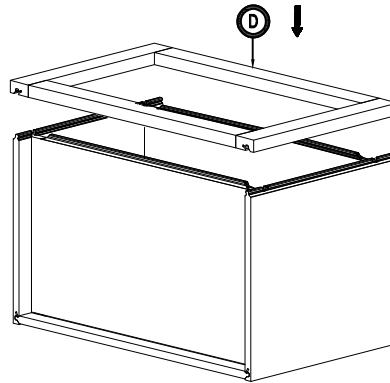


Figure 5

6. Assemble 6 hinges into two doors by screw driver and 12 screw 7/15" (Figure 6)

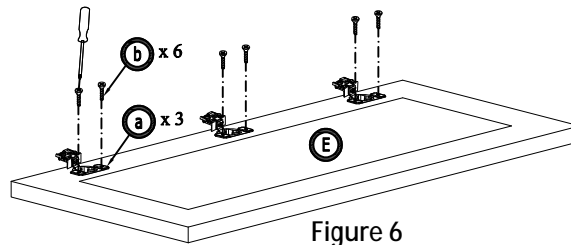


Figure 6

7. Assemble door with hinges to left and right of cabinet frame by 6 screw 4/5" (Figure 7)

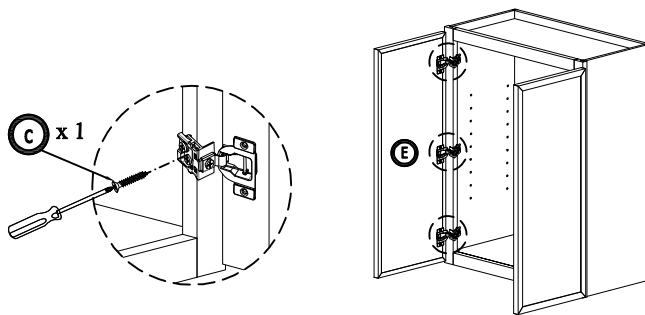


Figure 7

8. installing the shelf inside of cabinet: Insert plastic shelf support into the free hole inside of side panel and put the shelf on the support. This step should be after install cabinet to the wall. (Figure 8)

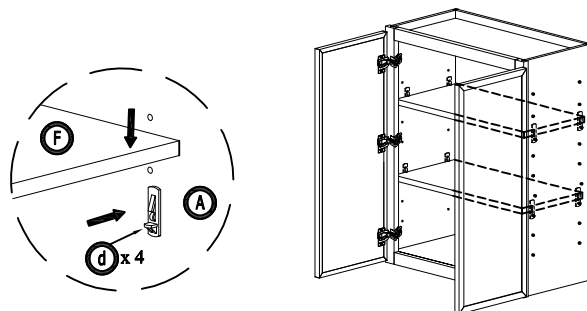


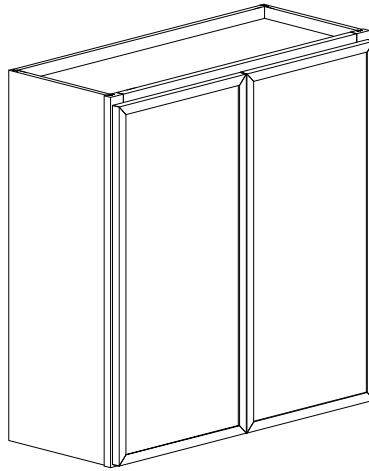
Figure 8



•Assembly is made fast and easy with  
ThreeSpine® click furniture technology.  
•Patent Protected.  
[www.valinge.se/patents](http://www.valinge.se/patents)  
•Produced under license  
from Valinge Innovation.



To install the cabinet to the wall you should use wall mount screws (f) and anchors (e) if installing directly into drywall.



► Maintenance:

For daily cleaning, use a dry cloth and a soft liquid cleaner.

Never use abrasive cleaner containing acetone, chlorine or strong bleach. Also, do not use tool as scrapers, metallic brushes, and other products which can scratch or tarnish surfaces.

Under no circumstances should you use chrome cleaner on chrome-plated or brass trim, hinges, handles, sockets etc.

good ventilation is essential for maintaining the quality and look of this furniture

Warranty and Customer Care Information

For the most up to warranty information for your product, please visit our website - [www.cabinet.comto](http://www.cabinet.comto) to get the specific details. If you have any questions with warranties or to make a claim, please contact customer care email - [customer care@cabinettogo.com](mailto:customer care@cabinettogo.com) or call 1-800-CABINET.



•Assembly is made fast and easy with  
ThreeSpine® click furniture technology.  
•Patent Protected.  
[www.valinge.se/patents](http://www.valinge.se/patents)  
•Produced under license  
from Valinge Innovation.

