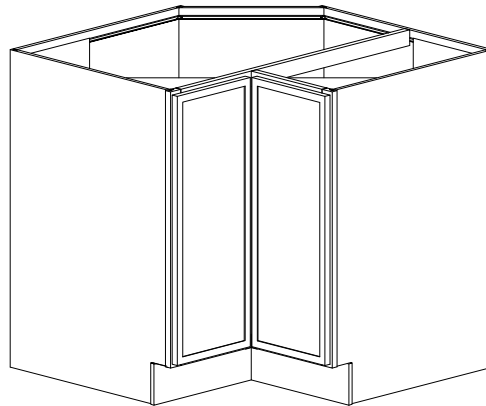


Base Cabinet ASSEMBLY INSTRUCTIONS



These assembly instructions are only applicable for Base Cabinets

CB33 CB36



ATTENTION: For questions or concerns about your cabinets, assembly or installation, please contact our dedicated Customer Care Team at 1-800-CABINET (222-4638). Our Customer Care associates are here for you every step of the way.



*Assembly is made fast and easy with
Threespine® click furniture technology.
*Patent Protected.
www.valfinge.eu/patents
*Produced under license
from Valinge Innovation.



► **General Instructions:**

Thank you for purchasing a Cabinets To Go product. You are now the proud owner of a high quality product designed to face the test of daily use and guaranteeing your enjoyment for many years to come.

Carefully read the instructions before starting the installation.

During assembly, please follow all generally accepted safety procedures.

Failure to adhere to the following instructions will invalidate the warranty and Cabinets To Go will decline any responsibility

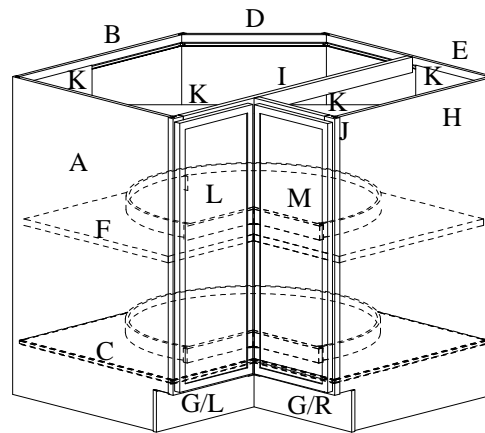
Before the assembly begins, check that all appropriate and required plumbing and electrical connections exist.

Before drilling, make absolutely sure that there are no pipes (gas, water, electricity, heating, etc.) at the drilling location. Cabinets To Go will not be held responsible for failure to follow the instructions.

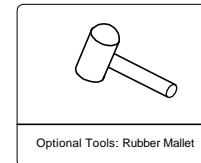
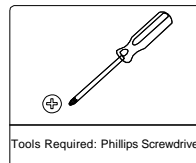
PRIOR TO ASSEMBLY, PLEASE MAKE SURE YOU HAVE ONE FACE FRAME BOX AND ONE CARCASS BOX, WHICH HAVE ALL THE PART IN THE QUANTITIES MENTIONED BELOW. IF YOU ARE MISSING ANY PARTS, PLEASE STOP AND CONTACT CUSTOMER CARE IMMEDIATELY AT 1-800-CABINET.

► **Items Quantity**

Item.	Description	Q'ty
A	LEFT SIDE PANEL	1
B	BACK PANEL - 01	1
C	BOTTOM PANEL/LS	1
D	BACK PANEL - 02	1
E	BACK PANEL - 03	1
F	SHELF/ LS	1
G/L	TOE KICK	1
G/R	TOE KICK	1
H	RIGHT SIDE PANEL	1
I	FRAME LARGE	1
J	FRAME SMALL	1
K	CORNER SUPPORT	4
L	DOOR - 01	1
M	DOOR - 02	1



► **Required tools:**



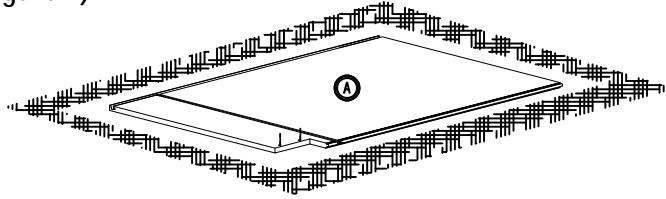
Hardware Box			
No.	Description	Q'ty	Picture
a	135 DEGREE HINGE (door to door)	2	
b	165 DEGREE HINGE (door to frame)	2	
c	0.47" FLAT HEAD SCREW	12	
d	0.75" FLAT HEAD SCREW	2	
e	PLASTIC SHELF SUPPORT	8	
f	1.37" FLAT HEAD SCREW	6	
g	Magnet	1	
h	Magnet plate	1	
i	Magnet's screw 0.56"	2	
k	Magnet plate's screw 0.36"	2	

The material above are for the largest unit in this instruction set. Smaller units may require less hardware and material: Therefore, your item may contain a smaller number of each.



► Instructions:

1. Place the side panel (A) face down on a flat soft working surface to ensure that the face is not scratched or damaged. (Figure 1).



2. Install the Back Panel 1: Insert the back panel-1 (C) into the groove of the left side panel (A) and click it into place. (Figure 2)

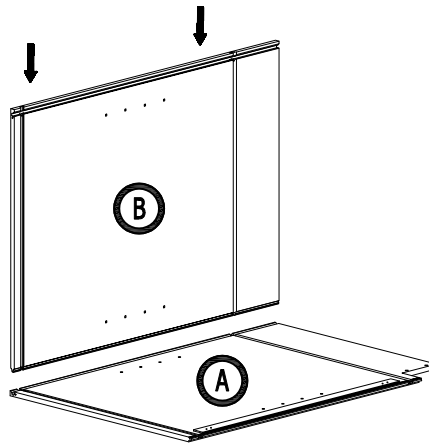


Figure 2

3. Installing the bottom panel : Insert the bottom panel with susan tray (F) into grooves of the side panel (a) & back panel (C) . Press down until they click into place. (Figure 3)

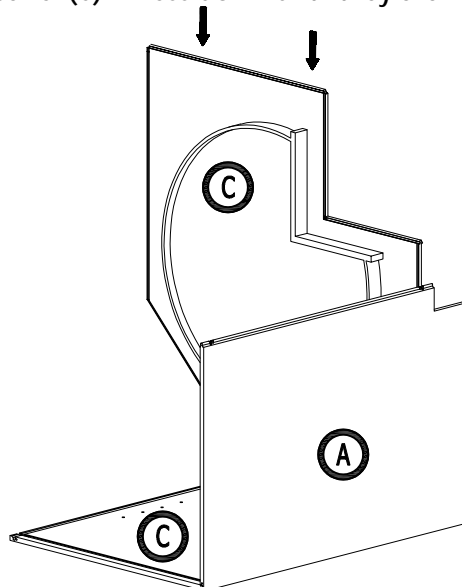


Figure 3



•Assembly is made fast and easy with
Threespine® click furniture technology.
•Patent Protected.
www.valinge.se/patents
•Produced under license
from Valinge Innovation.



4. Install the back panel: Insert the back panel (E) into the groove of the side panel (A), back panel (C) and bottom panel (F). Press down until they click into place. (Figure4)

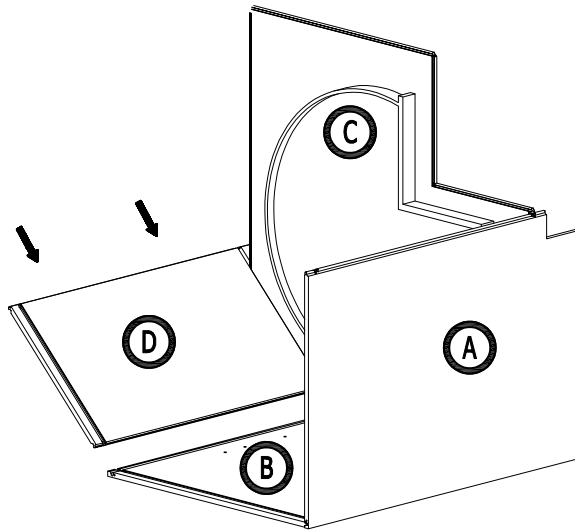


Figure 4

5. Install the back pane-2: Insert the back panel-2 (D) into the groove of the back panel (E), and bottom panel (F). Press down until they click into place. (Figure5)

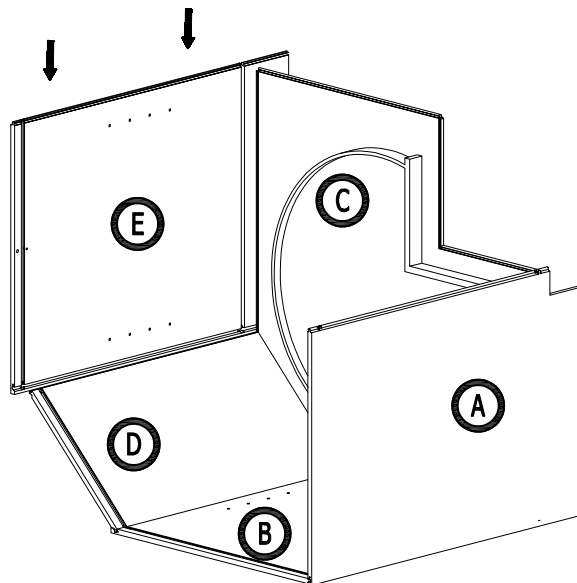


Figure 5



•Assembly is made fast and easy with
Threespine® click furniture technology.
•Patent Protected.
www.valinge.se/patents
•Produced under license
from Vånga Innovation.



6. Install the turn table: install the turn table (M) inside of cabinet . (Figure6)

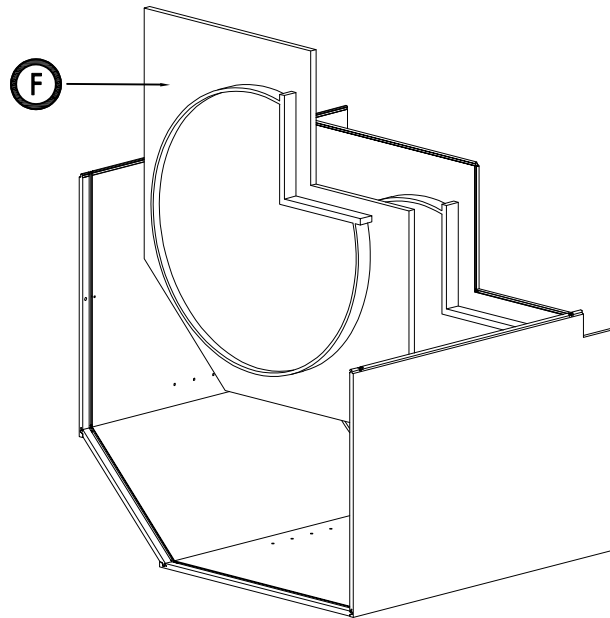


Figure 6

7. Install the right side panel, toe kick: Insert the right side panel (B), Toe kick (G) into the groove of the back panel (D), bottom panel (F) and Toe kick (E). Press down until they click into place (Figure7)

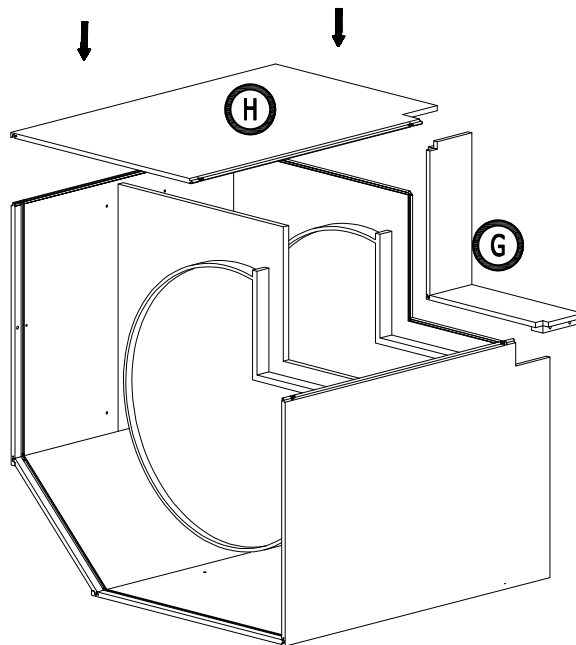


Figure 7



•Assembly is made fast and easy with
ThreeSpine® click furniture technology.
•Patent Protected.
www.valinge.se/patents
•Produced under license
from Valinge Innovation.



8. Install the large frame: Insert the large frame (H) into the groove of the side panel (A) bottom panel (D). Press down until they click into place. Assemble large frame with side panel (C) by screw $\frac{7}{8}$ " (Figure 8)

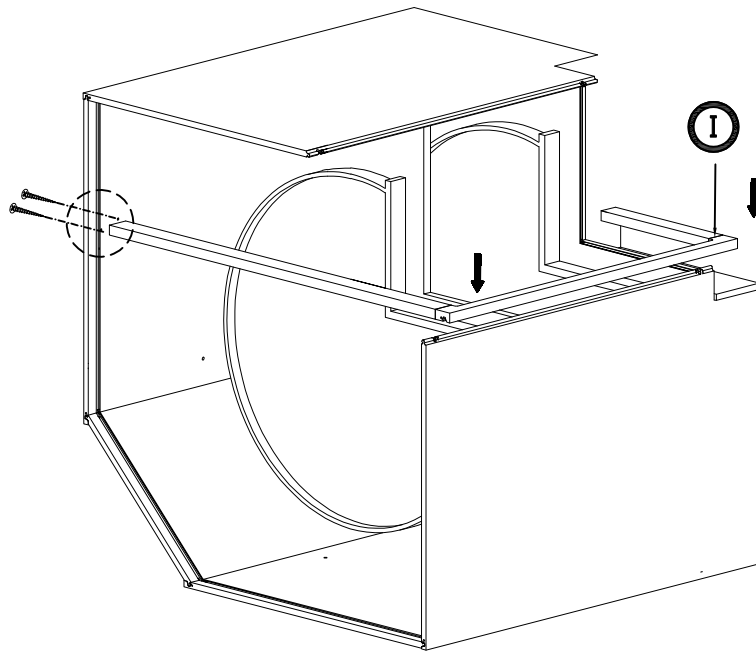


Figure 9

9. Install the small frame: Insert the small frame (I) into the groove of the side panel (A) bottom panel (D). Press down until they click into place. Assemble small frame with large frame by screw $\frac{7}{8}$ " (Figure 9)

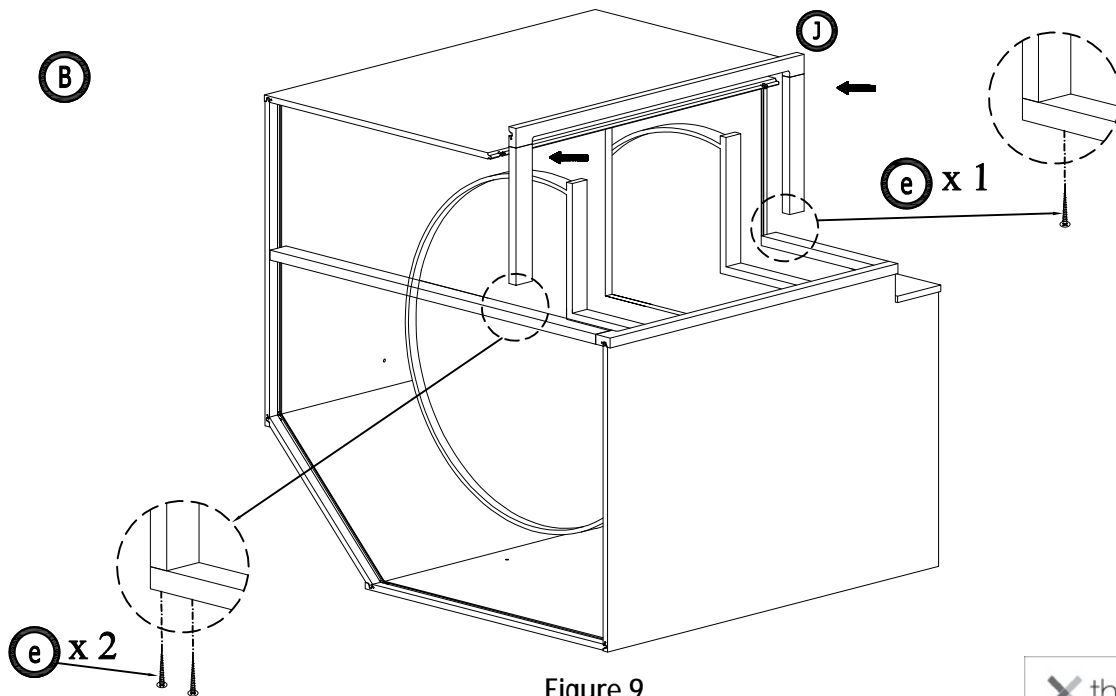


Figure 9



*Assembly is made fast and easy with ThreeSpine® click furniture technology.
 *Patent Protected.
 www.valinge.se/patents
 *Produced under license from Valinge Innovation.



10. Install the corner: Insert the corner (N) into the groove of the side panel (A) Side panel (B) back panel (C) back panel (D) and Frame. Press down until they click into place. (Figure 10)

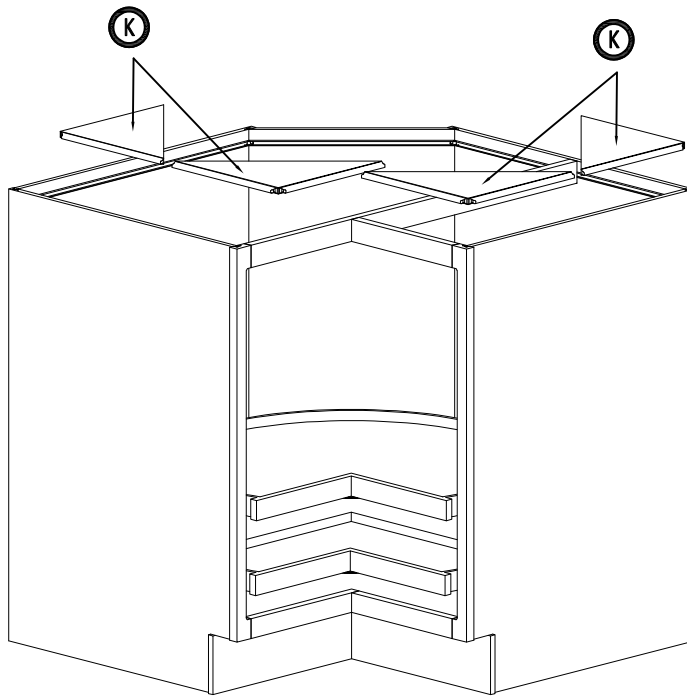


Figure 10

11. Assemble hinges into the doors by screwdriver and 8 screw 7/15" (Figure 11)

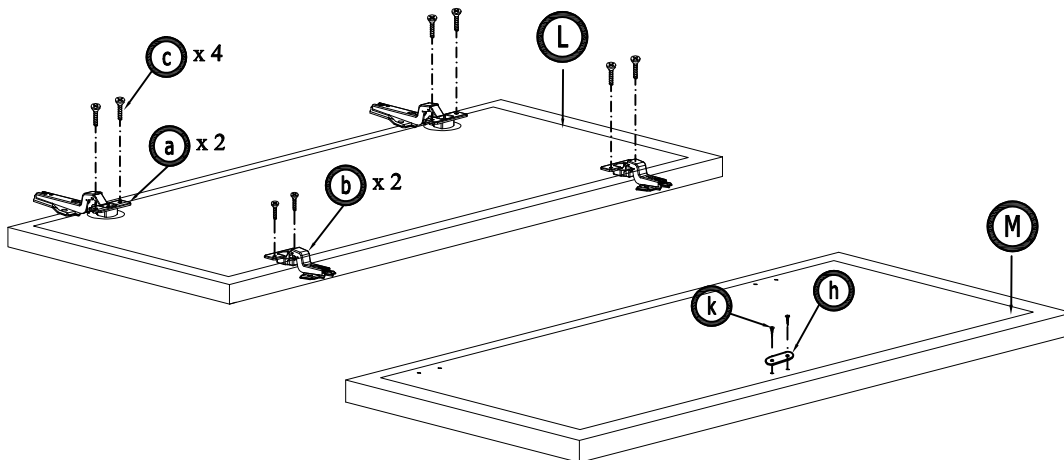


Figure 11



*Assembly is made fast and easy with Three Spine® click furniture technology.
*Patent Protected.
www.valinge.se/patents
*Produced under license from Valinge Innovation.



12. Assemble the door (J) to the frame and door (K) to door (J) by screwdriver (Figure 10)

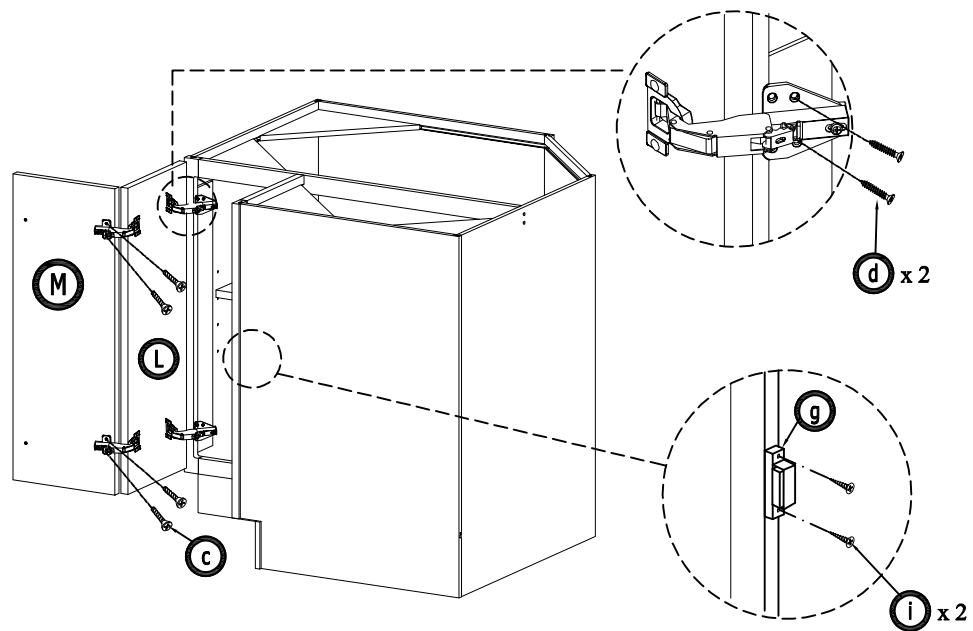


Figure 12

13. installing the shelf inside of cabinet: Insert plastic shelf support into the free hole inside of side panel and put the shelf on the support. (Figure 13)

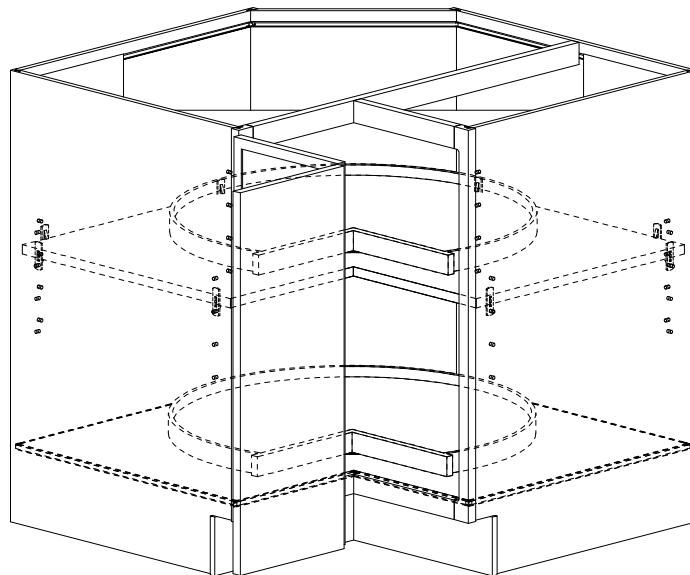
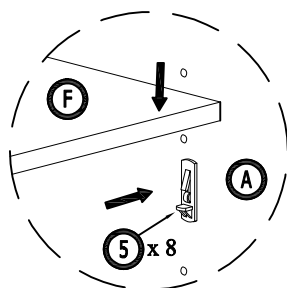
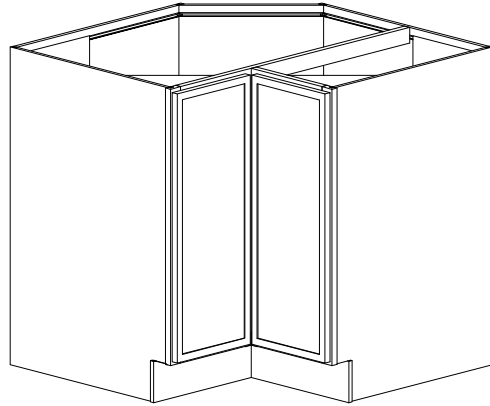


Figure 13



*Assembly is made fast and easy with ThreeSpine® click furniture technology.
*Patent Protected.
www.valinge.se/patents
*Produced under license from Valinge Innovation.





► **Maintenance:**

For daily cleaning, use a dry cloth and a soft liquid cleaner.

Never use abrasive cleaner containing acetone, chlorine or strong bleach. Also, do not use tool as scrapers, metallic brushes, and other products which can scratch or tarnish surfaces.

Under no circumstances should you use chrome cleaner on chrome-plated or brass trim, hinges, handles, sockets etc.

good ventilation is essential for maintaining the quality and look of this furniture

Warranty and Customer Care Information

For the most up to warranty information for your product, please visit our website - www.cabinet.com to get the specific details. If you have any questions with warranties or to make a claim, please contact customer care email - customer care@cabinettogo.com or call 1-800-CABINET.



*Assembly is made fast and easy with Three Spine® click furniture technology.
**Patent Protected.
www.valinge.se/patents
*Produced under license from Valinge Innovation.

