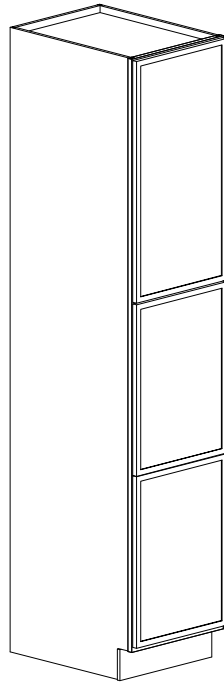


**CABINETS  
TO GO** WOW  
FOR  
LESS.

Findley  
& Myers  
FINE CABINETRY MAKERS

## Wall Cabinet ASSEMBLY INSTRUCTIONS



These assembly instructions are only applicable for all Tall Cabinets  
LC1896



**ATTENTION:** For questions or concerns about your cabinets, assembly or installation, please contact our dedicated Customer Care Team at 1-800-CABINET (222-4638). Our Customer Care associates are here for you every step of the way.

three  
spine

\*Assembly is made fast and easy with Threespine® click furniture technology.  
\*Patent Protected.  
[www.threespine.com](http://www.threespine.com)  
\*Produced under license from Välinge Innovation.



► **General Instructions:**

Thank you for purchasing a Cabinets To Go product. You are now the proud owner of a high quality product designed to face the test of daily use and guaranteeing your enjoyment for many years to come.

Carefully read the instructions before starting the installation.

During assembly, please follow all generally accepted safety procedures.

Failure to adhere to the following instructions will invalidate the warranty and Cabinets To Go will decline any responsibility

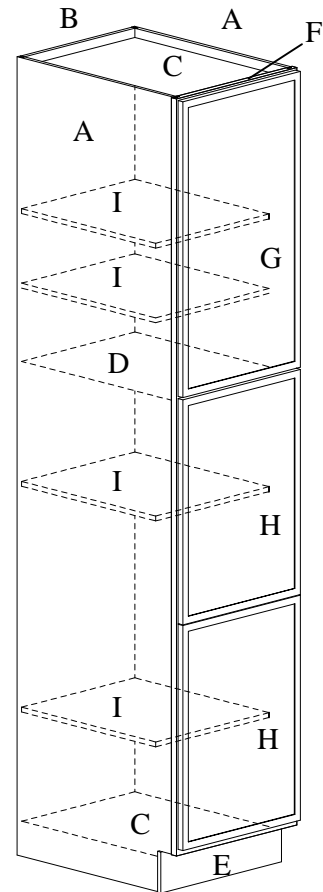
Before the assembly begins, check that all appropriate and required plumbing and electrical connections exist.

Before drilling, make absolutely sure that there are no pipes (gas, water, electricity, heating, etc.) at the drilling location. Cabinets To Go will not be held responsible for failure to follow the instructions.

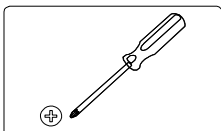
**PRIOR TO ASSEMBLY, PLEASE MAKE SURE YOU HAVE ONE FACE FRAME BOX AND ONE CARCASS BOX, WHICH HAVE ALL THE PART IN THE QUANTITIES MENTIONED BELOW. IF YOU ARE MISSING ANY PARTS, PLEASE STOP AND CONTACT CUSTOMER CARE IMMEDIATELY AT 1-800-CABINET.**

► **Items Quantity**

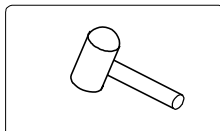
Item.	Description	Q'ty
A	SIDE PANEL	2
B	BACK PANEL	1
C	TOP - BOTTOM PANEL	2
D	CENTER PANEL	1
E	TOE KICK	1
F	FRAME	1
G	UPPER DOOR	1
H	BELOW DOOR	2
I	SHELF	4



► **Required tools:**



Tools Required: Phillips Screwdriver



Optional Tools: Rubber Mallet

Hardware Box			
No.	Description	Q'ty	Picture
a	HINGE OVERLAY: 1-1/4"	7	
b	0.47" FLAT HEAD SCREW	14	
c	0.75" FLAT HEAD SCREW	7	
d	PLASTIC SHELF SUPPORT	16	
e	METAL DOWEL 3/4"	2	

The material above are for the largest unit in this instruction set. Smaller units may require less hardware and material: Therefore, your item may contain a smaller number of each.



► Instructions:

1. Place the side panel (A) face down on a flat soft working surface to ensure that the face is not scratched or damaged. (Figure 1).

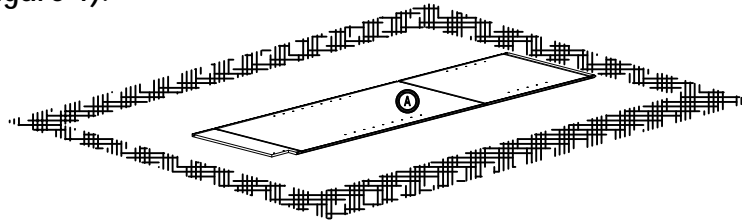


Figure 1

2. Install the Back Panel: Insert the back panel (B) into the groove of the side panel (A) and click it into place. (Figure 2)

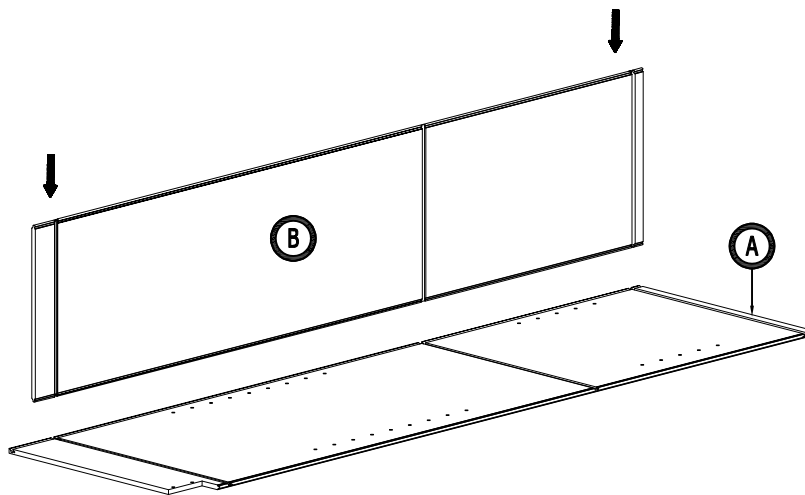


Figure 2

3. Installing the Top, Bottom panel: Insert top, bottom (C) into grooves of back panel (B) & side panel (A). Press down until they click into place. (Figure 3)

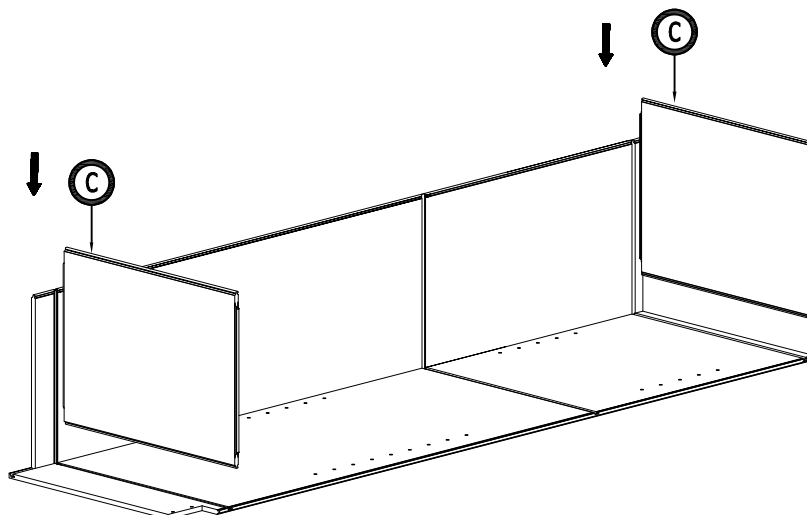


Figure 3

4. Install the Toe Kick : Insert the Toe Kick (E) into the free hole of side panel (A) .(Figure 4)

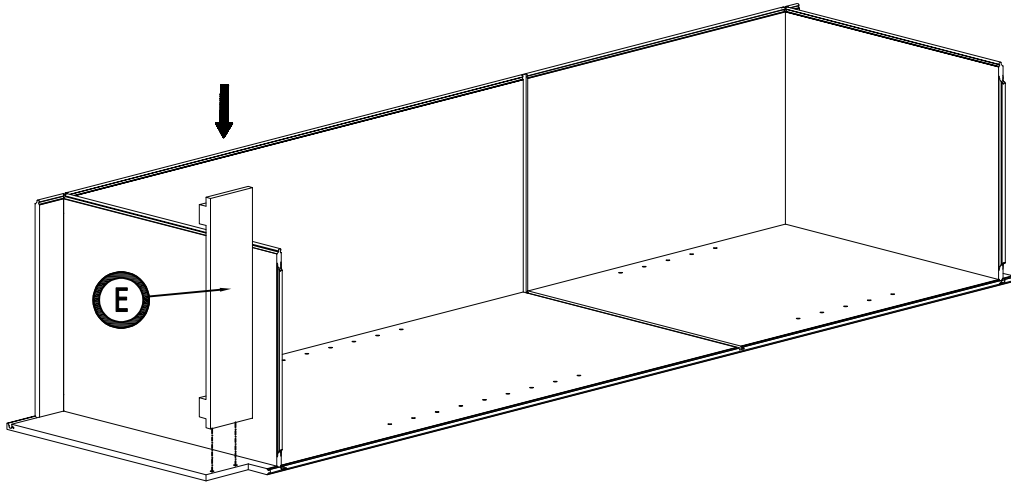


Figure 4

5. Install the side Panel: Insert the side panel (A) into the groove of the back panel (B), top, bottom (C). Press down until they click into place. (Figure 5)

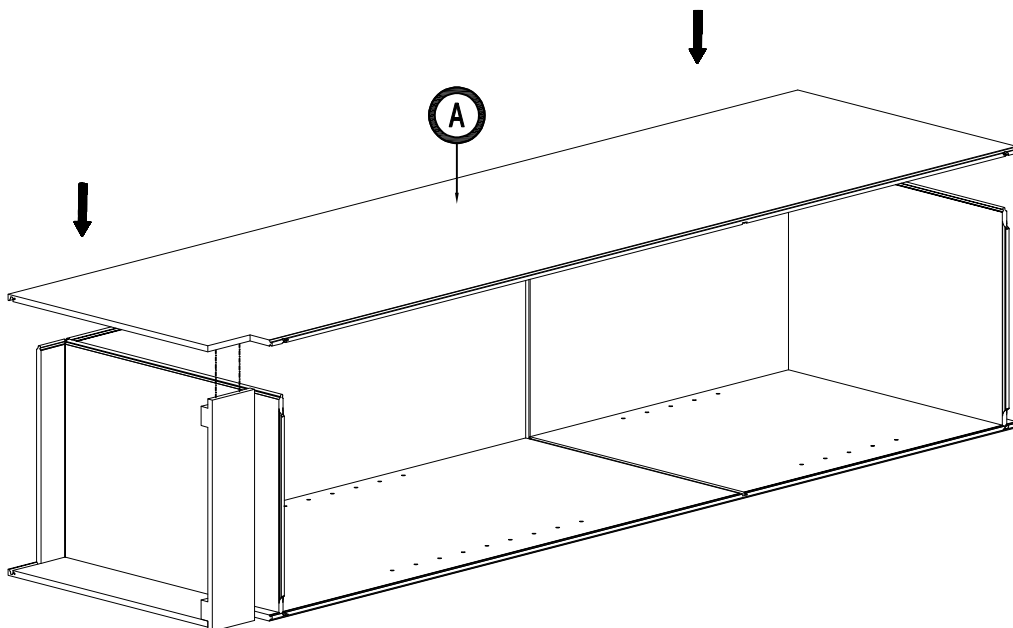


Figure 5

6. Install the center panel (D): Slide down the center panel (D) into the groove of the side panel (A), back panel (B) . Press down until they click into place. (Figure 6)

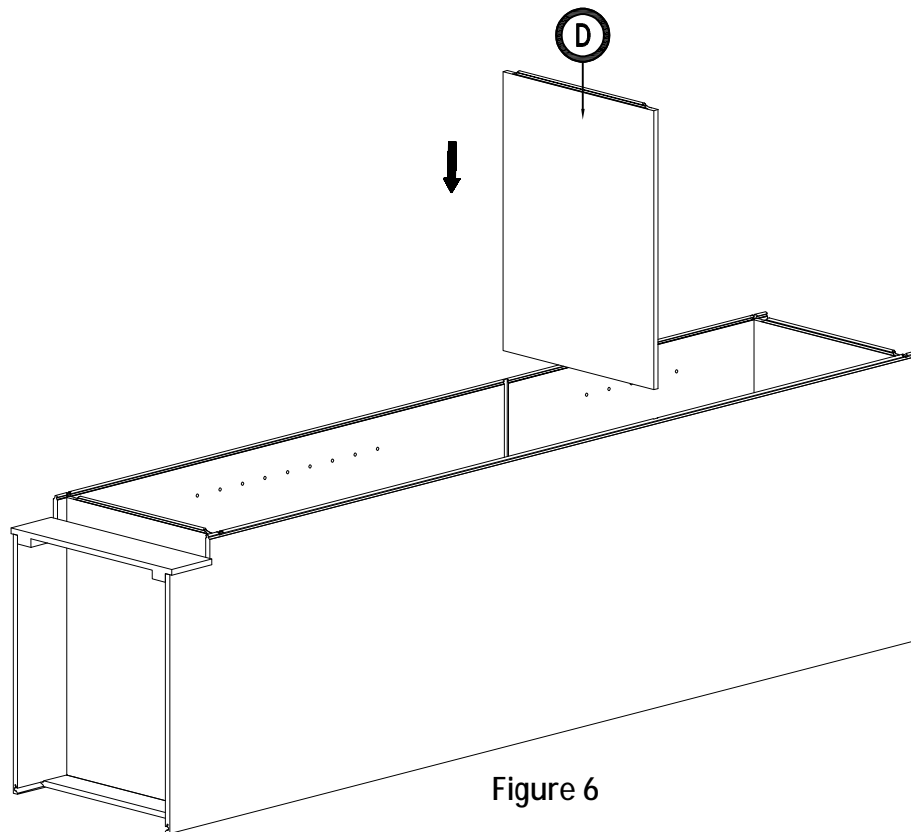


Figure 6

7. Install the frame: Insert the frame (F) into the groove of the side panel (A), top, bottom (C) and center panel (D) . Press down until they click into place. (Figure 6)

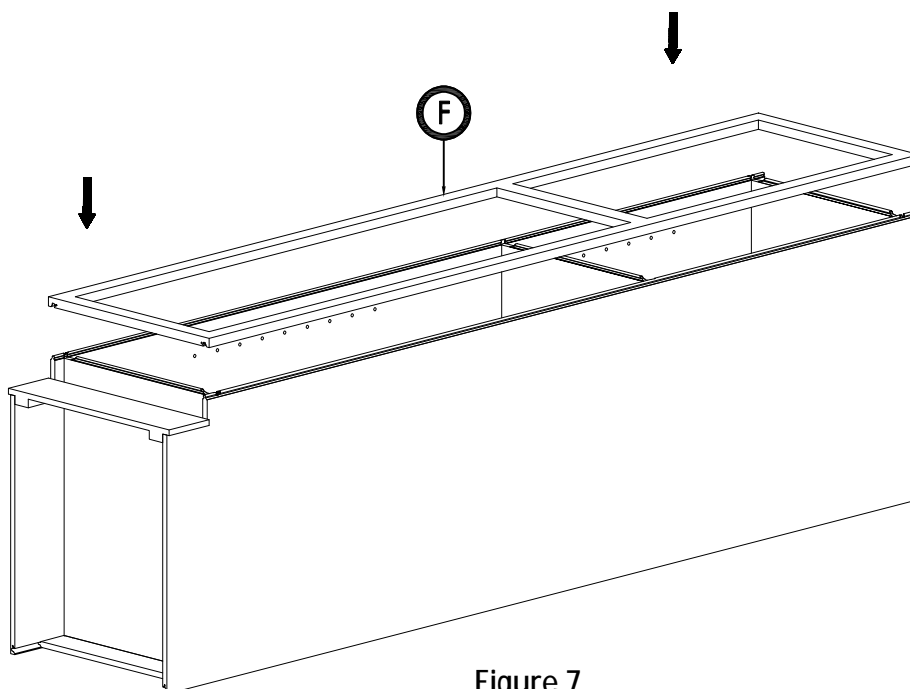


Figure 7

8. Assemble 7 hinges into three doors by screwdriver and 14 screw 7/15" (Figure 7)

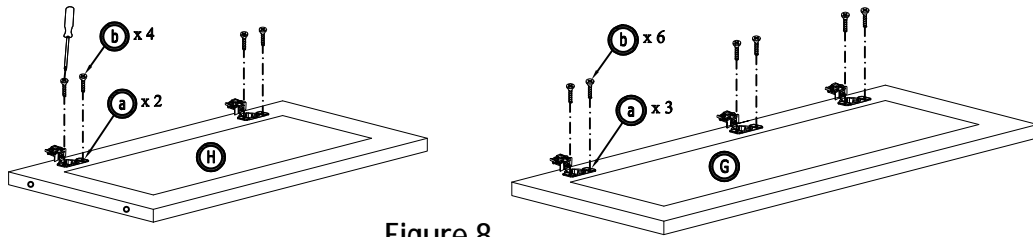


Figure 8

9. Assemble upper door with hinges to left or right of cabinet frame by 3 screw 4/5" (Figure 8)

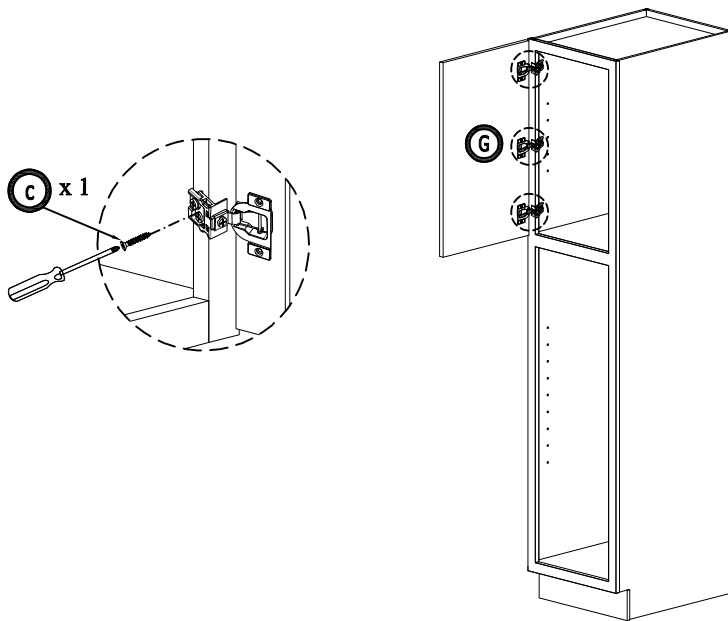


Figure 9

10. Assemble below door with hinges to left or right of cabinet frame by 4 screw 4/5" (Figure 9)

Assemble below door and Put metal dowel (e) to the top edge of the below door

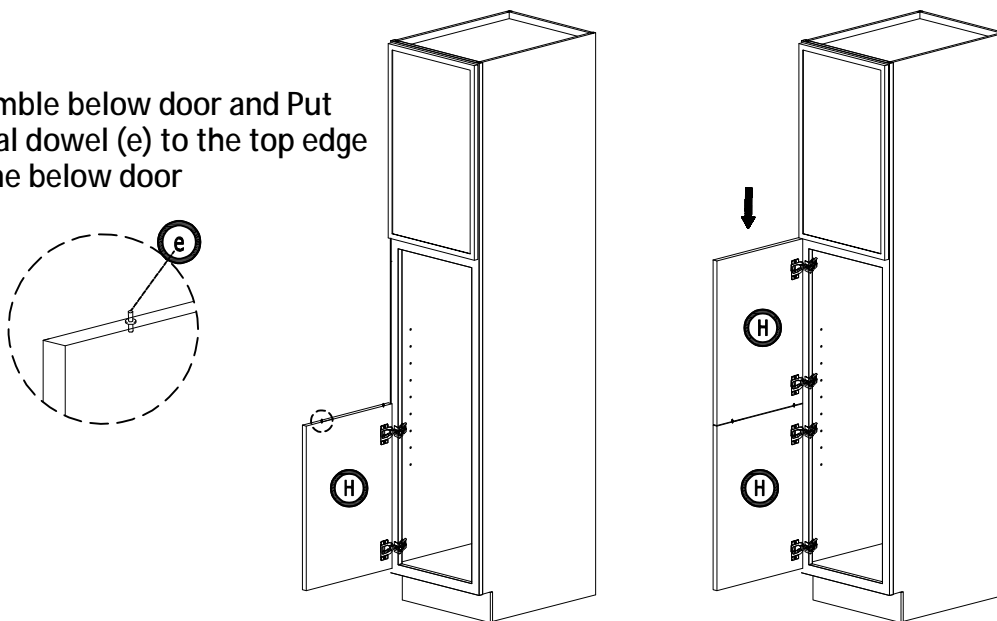


Figure 10.1

Figure 10.2



11. installing the shelf inside of cabinet: Insert plastic shelf support into the free hole inside of side panel and put the shelf on the support. This step should be after install cabinet to the wall .(Figure10)

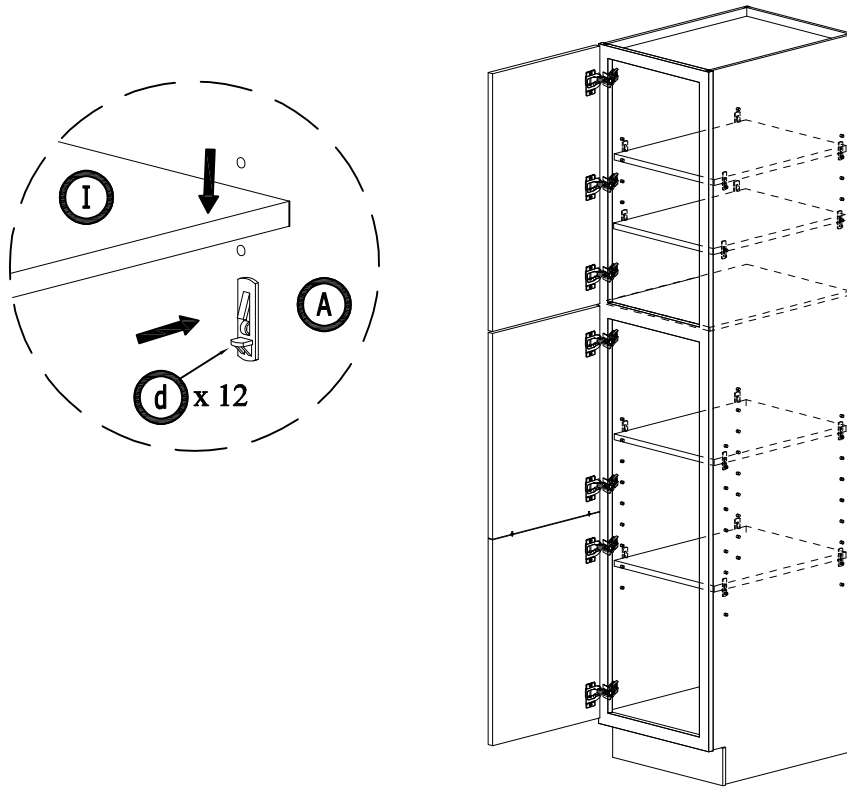
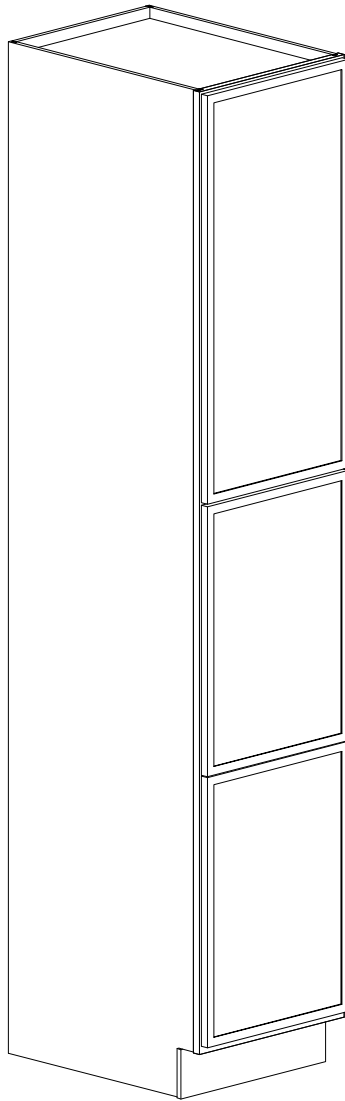


Figure 11



► **Maintenance:**

For daily cleaning, use a dry cloth and a soft liquid cleaner.

Never use abrasive cleaner containing acetone, chlorine or strong bleach. Also, do not use tools as scrapers, metallic brushes, and other products which can scratch or tarnish surfaces.

Under no circumstances should you use chrome cleaner on chrome-plated or brass trim, hinges, handles, sockets etc.

Good ventilation is essential for maintaining the quality and look of this furniture

**Warranty and Customer Care Information**

For the most up to date warranty information for your product, please visit our website - [www.cabinet.comto](http://www.cabinet.comto) to get the specific details. If you have any questions with warranties or to make a claim, please contact customer care email - [customer care@cabinettogo.com](mailto:customer care@cabinettogo.com) or call 1-800-CABINET.

