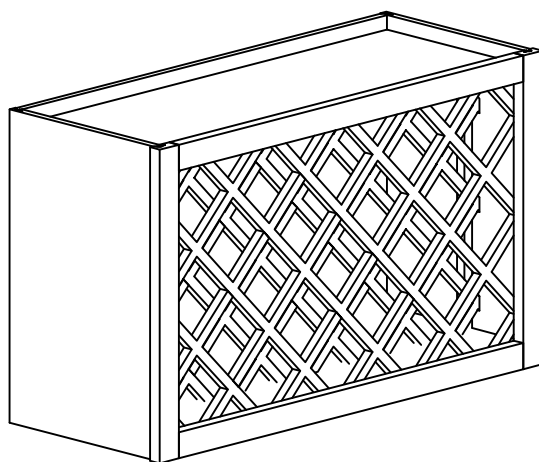


## Wine Rack ASSEMBLY INSTRUCTIONS



These assembly instructions are only applicable for all Wine Rack  
WR3018



**WOW  
SERVICE**

**ATTENTION:** For questions or concerns about your cabinets, assembly or installation, please contact our dedicated Customer Care Team at 1-800-CABINET (222-4638). Our Customer Care associates are here for you every step of the way.

► **General Instructions:**

Thank you for purchasing a Cabinets To Go product. You are now the proud owner of a high quality product designed to face the test of daily use and guaranteeing your enjoyment for many years to come.

Carefully read the instructions before starting the installation.

During assembly, please follow all generally accepted safety procedures.

Failure to adhere to the following instructions will invalidate the warranty and Cabinets To Go will decline any responsibility

Before the assembly begins, check that all appropriate and required plumbing and electrical connections exist.

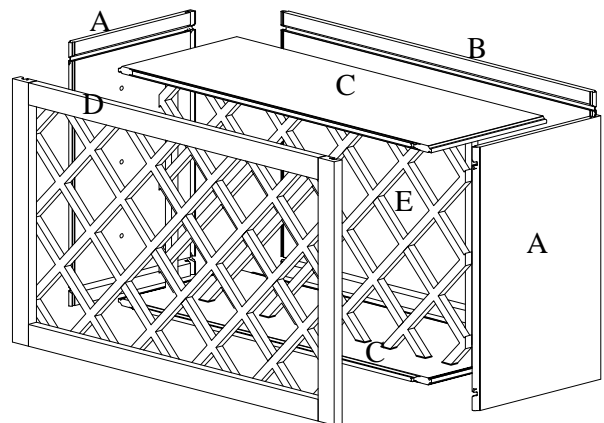
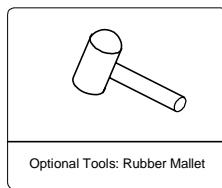
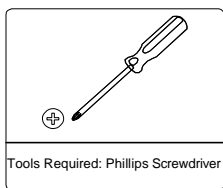
Before drilling, make absolutely sure that there are no pipes (gas, water, electricity, heating, etc.) at the drilling location. Cabinets To Go will not be held responsible for failure to follow the instructions.

**PRIOR TO ASSEMBLY, PLEASE MAKE SURE YOU HAVE ONE FACE FRAME BOX AND ONE CARCASS BOX, WHICH HAVE ALL THE PART IN THE QUANTITIES MENTIONED BELOW. IF YOU ARE MISSING ANY PARTS, PLEASE STOP AND CONTACT CUSTOMER CARE IMMEDIATELY AT 1-800-CABINET.**

► Items Quantity

Item.	Description	Q'ty
A	SIDE PANEL	2
B	BACK PANEL	1
C	TOP - BOTTOM PANEL	2
D	FRAME & FRONT WINE RACK	1
E	BACK WINE RACK	1

► Required tools:



**Hardware Box**

No.	Description	Q'ty	Picture
a	GLATIC ANCHORS	4	
b	SCREW 2"	4	

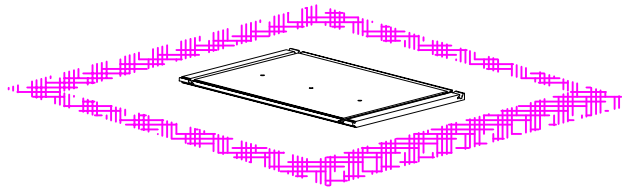
The material above are for the largest unit in this instruction set. Smaller units may require less hardware and material: Therefor, your item may contain a smaller number of each.

Assembled with



► Instructions:

1. Place the side panel (A) face down on a flat soft working surface to ensure that the face is not scratched or damaged. (Figure 1).



2. Install the Back Panel: Insert the back panel (B) into the groove of the side panel (A) and click it into place. (Figure 2)

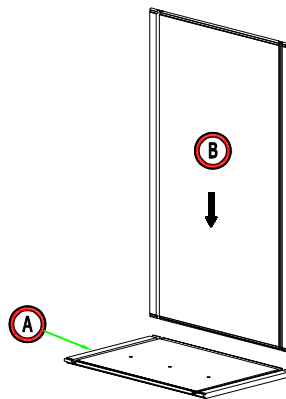


Figure 2

3. Installing the Top and Bottom: Insert top and bottom (C) into grooves of back panel (B) & side panel (A). Press down until they click into place. (Figure 3)

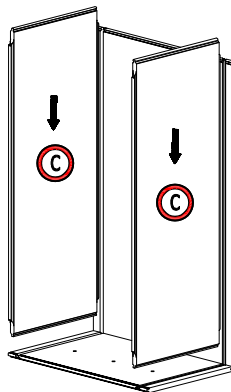


Figure 3

4. Installing the back wine rack frame: Insert the back wine rack frame (E) into the side panel (A) by 3 holes and dowel. (Figure 4)

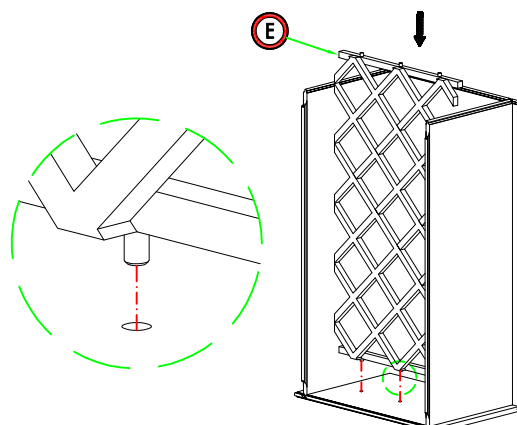


Figure 4

5. Installing the Remaining Panels: Insert the side panel (A) into the groove of the back panel (B) locking it into the top and bottom panels (C) and back wine rack (E).

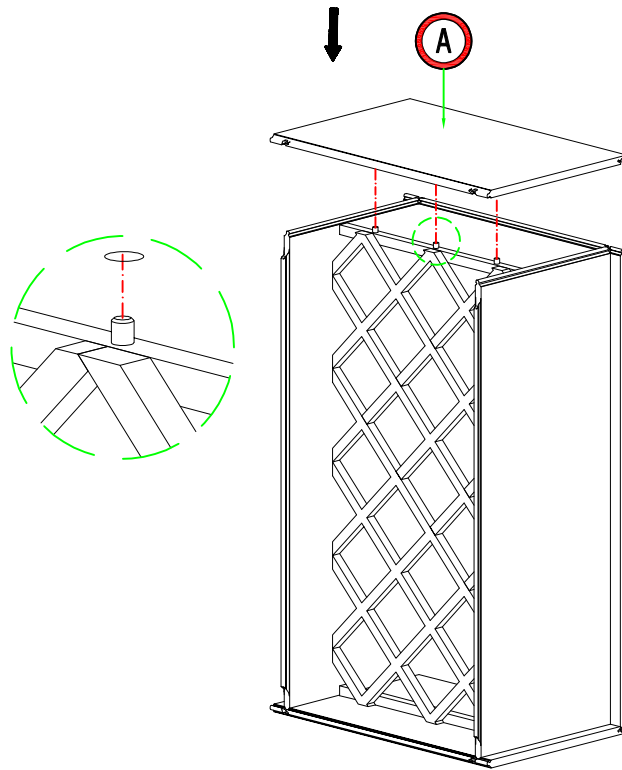


Figure 5

6. Installing the Frame and front wine rack: Insert frame and front wine rack (D) into grooves of side panel (A) & top, bottom panel (C). Press down until they click into place. (Figure 6)

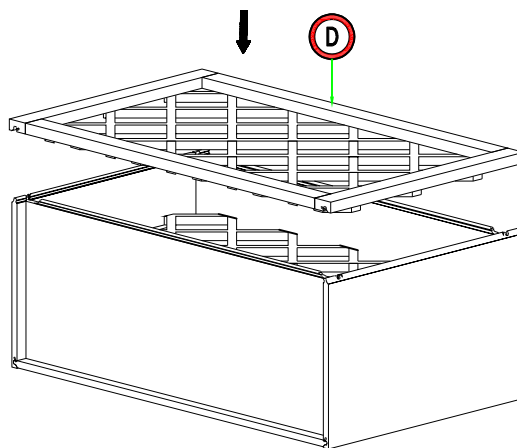
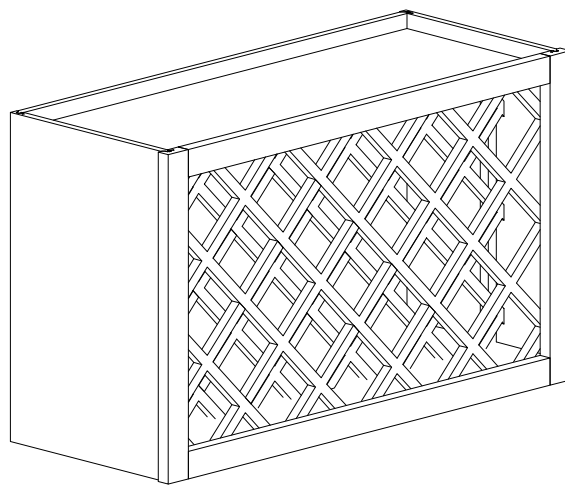


Figure 6

To install the cabinet to the wall you should use wall mount screws (b) and anchors (a) if installing directly into drywall.



► **Maintenance:**

For daily cleaning, use a dry cloth and a soft liquid cleaner.

Never use abrasive cleaner containing acetone, chlorine or strong bleach. Also, do not use tools as scrapers, metallic brushes, and other products which can scratch or tarnish surfaces.

Under no circumstances should you use chrome cleaner on chrome-plated or brass trim, hinges, handles, sockets etc.

good ventilation is essential for maintaining the quality and look of this furniture

Warranty and Customer Care Information

For the most up to warranty information for your product, please visit our website - [www.cabinet.comto](http://www.cabinet.comto) to get the specific details. If you have any questions with warranties or to make a claim, please contact customer care email - [customer care@cabinnettogo.com](mailto:customer care@cabinnettogo.com) or call 1-800-CABINET.

Assembled with

