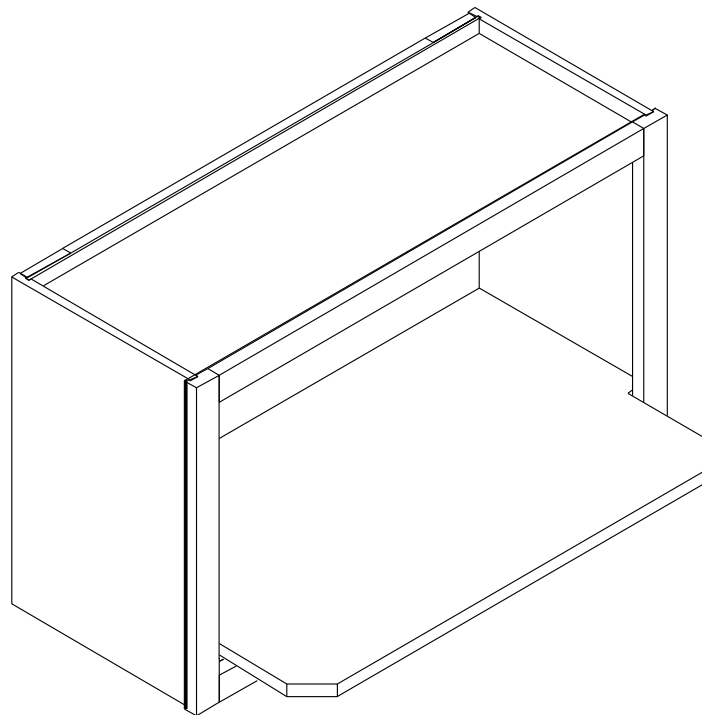



**Wall Microwave Cabinet  
ASSEMBLY INSTRUCTIONS**



These assembly instructions are only applicable for Wall Microwave Cabinets  
**ITEM # WM3018**

  
**WOW  
SERVICE**

**ATTENTION:** For questions or concerns about your cabinets, assembly or installation, please contact our dedicated Customer Care Team at **1-800-CABINET (222-4638)**. Our Customer Care associates are here for you every step of the way.

**► General Instructions:**

Thank you for purchasing a Cabinets To Go product. You are now the proud owner of a high quality product designed to face the test of daily use and guaranteeing your enjoyment for many years to come.

Carefully read the instructions before starting the installation.

During assembly, please follow all generally accepted safety procedures.

Failure to adhere to the following instructions will invalidate the warranty and Cabinets To Go will decline any responsibility for any damages caused. Any installation which does not correspond to the instructions may result in defects, malfunctioning parts, significant damage and/or injury.

Before the assembly begins, check that all appropriate and required plumbing and electrical connections exist.

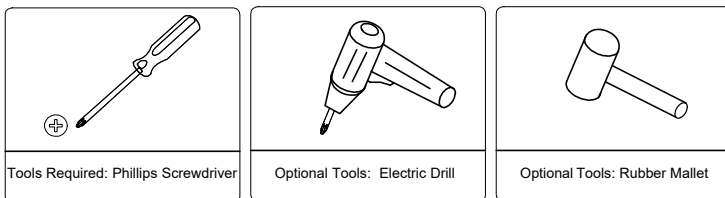
Before drilling, make absolutely sure that there are no pipes (gas, water, electricity, heating, etc.) at the drilling location. Cabinets To Go will not be held responsible for failure to follow these instructions.

PRIOR TO ASSEMBLY, PLEASE MAKE SURE YOU HAVE ONE FACE FRAME BOX AND ONE CARCASS BOX, WHICH HAVE ALL THE PARTS IN THE QUANTITIES MENTIONED BELOW. IF YOU ARE MISSING ANY PARTS, PLEASE STOP AND CONTACT CUSTOMER CARE IMMEDIATELY AT 1-800-CABINET.

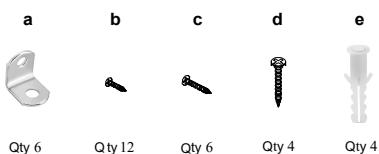
**► Items Quantity**

Item	Description	Qty
A	Face Frame	1
B	Side Panels	2
C	Top Panel	1
D	Microwave Shelf	1
E	Back Panel	1
F	Hardware Box	1
	"L" brackets 6pcs, 1/2" flat head screws 12pcs, 1" flat head screws 6pcs, 2" flat head screws 4pcs, plastic wall anchors 4pcs	

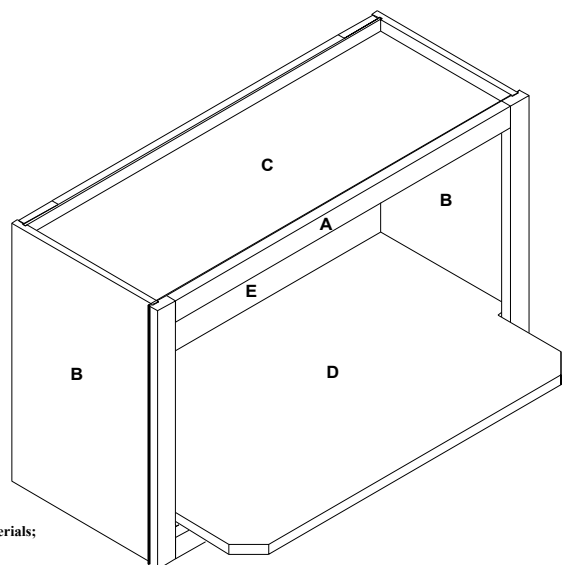
**► Required tools:**



**► Hardware Box:**



The materials listing above are for the largest unit in this instruction set. Smaller units may require less hardware and materials; therefore, your item may contain a smaller number of each.



► **Instructions:**

1. Place face frame (A) face down on a flat soft working surface to ensure that the face is not scratched or damaged. (Figure 1).

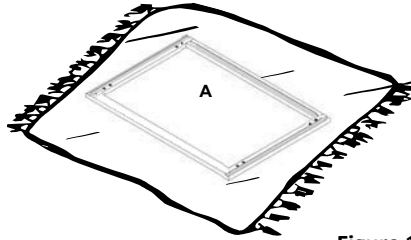


Figure 1

2. **Inserting Panels:**

Insert top panel (C) and side panels (B) into face frame (A) (Figure 2) and align the cam lock connectors. Lock the cam locks with a screwdriver by turning the screw 180° clockwise. (Figure 3).

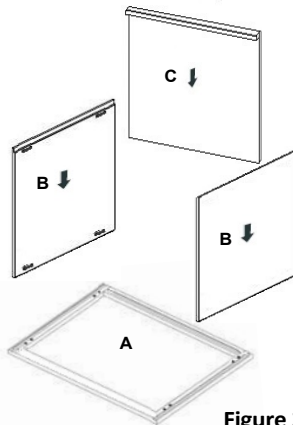


Figure 2

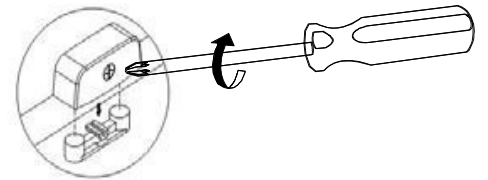


Figure 3

3. **Installing the Microwave Shelf:** Rotate the cabinet assembly upright, and insert the microwave shelf (D) into the bottom of the assembled unit. (Figure 4) Tighten all cam locks.

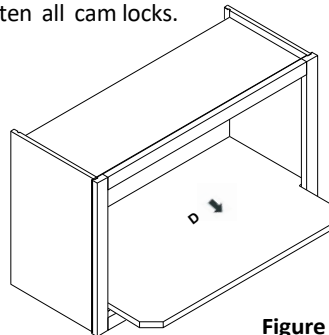


Figure 4

4. **Install the back panel (E)** onto the back of the assembled unit. Tighten all cam locks. Secure the back panel with provided screws. (c) Install 3 "L" brackets (a) to the top panel & 3 to the microwave shelf using screws (b). Your Wall Microwave Cabinet is now completely assembled. (Figure 5) To install the cabinet to the wall you should use wall mount screws (d) and anchors (e) if installing directly into drywall.

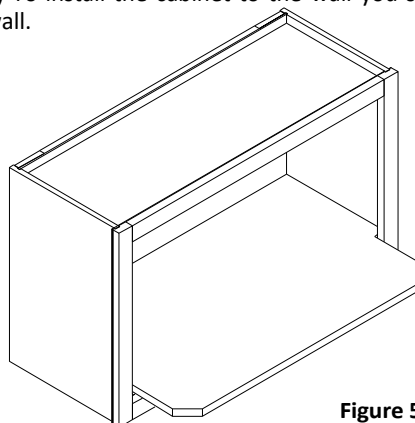
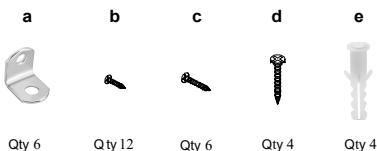


Figure 5

**► Maintenance**

For daily cleaning, use a dry cloth and a soft liquid cleaner.

Never use abrasive cleaners containing acetone, chlorine or strong bleach. Also, do not use tools as scrapers, metallic brushes, and other products which can scratch or tarnish surfaces.

Under no circumstances should you use chrome cleaner on chrome-plated or brass trim, hinges, handles, sockets etc.

Good ventilation is essential for maintaining the quality and look of this furniture.

**Warranty and Customer Care Information**

For the most up to date warranty information for your product, please visit our website - [www.cabinetstogo.com](http://www.cabinetstogo.com) to get the specific details. If you have any questions with warranties or to make a claim, please contact Customer Care by email - [customer care@cabinetstogo.com](mailto:customer care@cabinetstogo.com) or call 1-800-CABINET.